

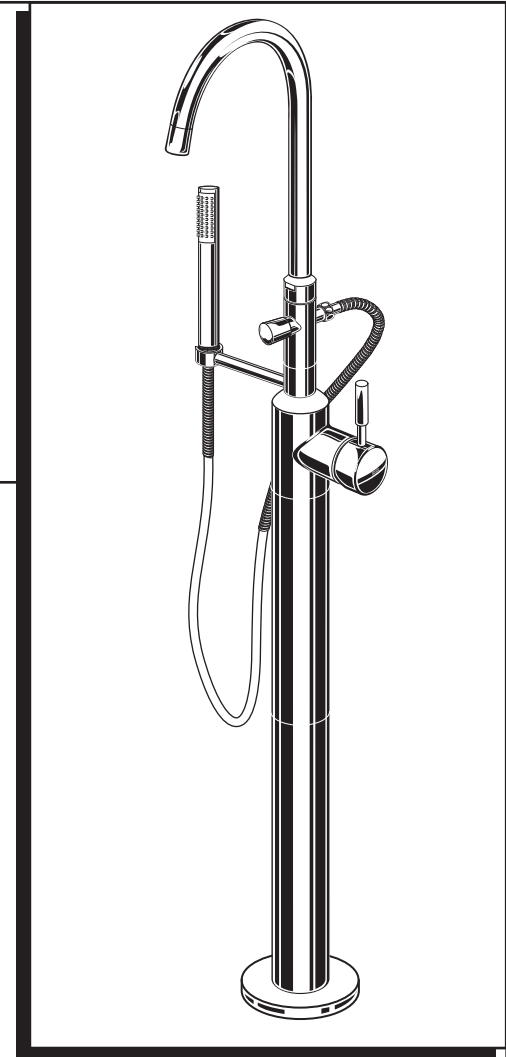
Installation Instructions

FREESTANDING SINGLE CONTROL BATH FILLER

2764.951 Series
2764.721 Series
2764.955 Series

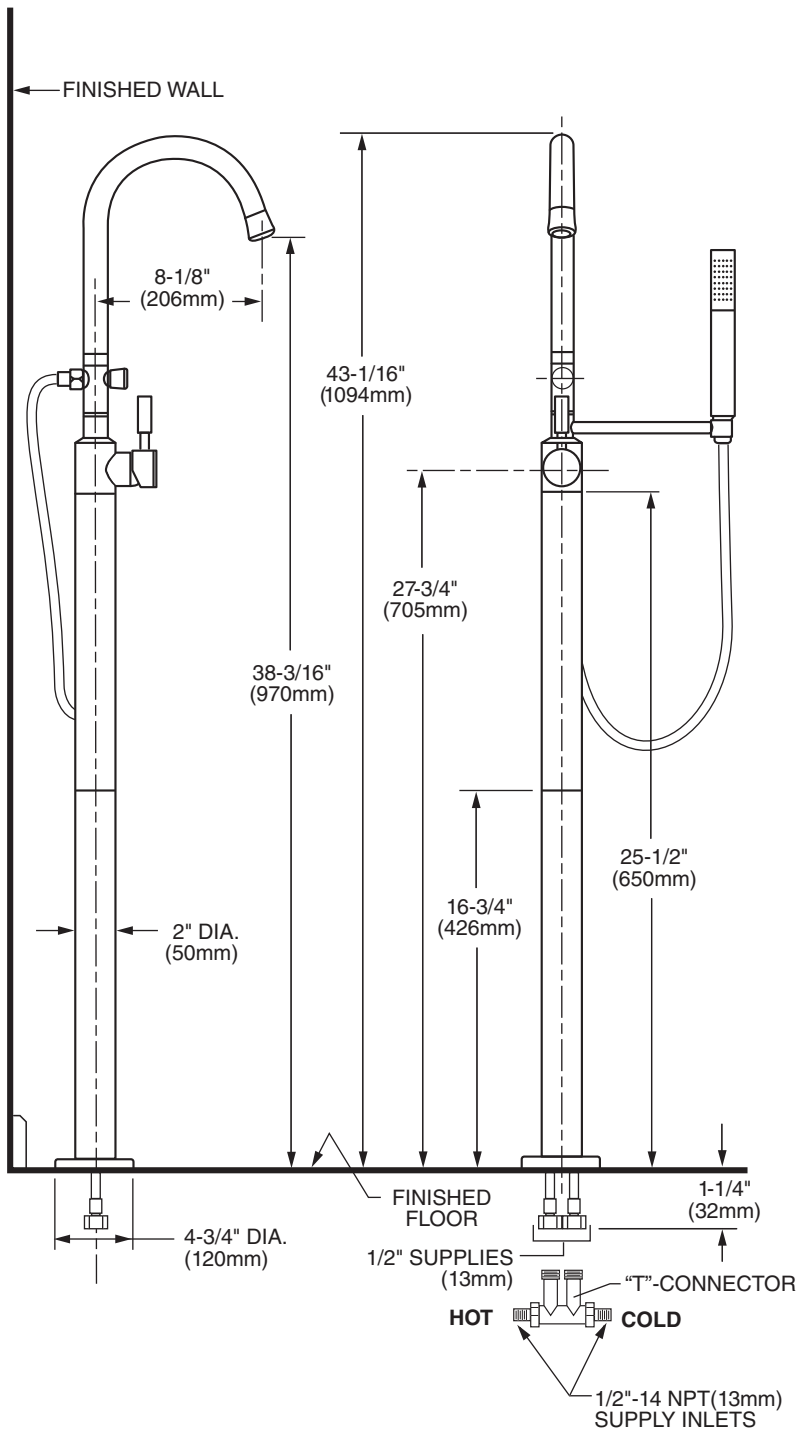
Thank you for selecting American-Standard... the benchmark of fine quality for over 100 years.

To ensure that your installation proceeds smoothly-- please read these instructions carefully before you begin.



Certified to comply with ANSI A112.18.1
M965140 REV. 2.1 (5/19)

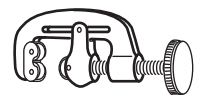
ROUGHING-IN DIMENSIONS



Recommended Tools



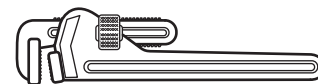
Phillips Screwdriver



Tubing Cutter



Flat Blade Screwdriver



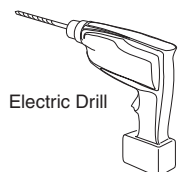
Pipe Wrench



1-1/4" Hole Saw



Adjustable Wrench



Electric Drill



Channel Locks



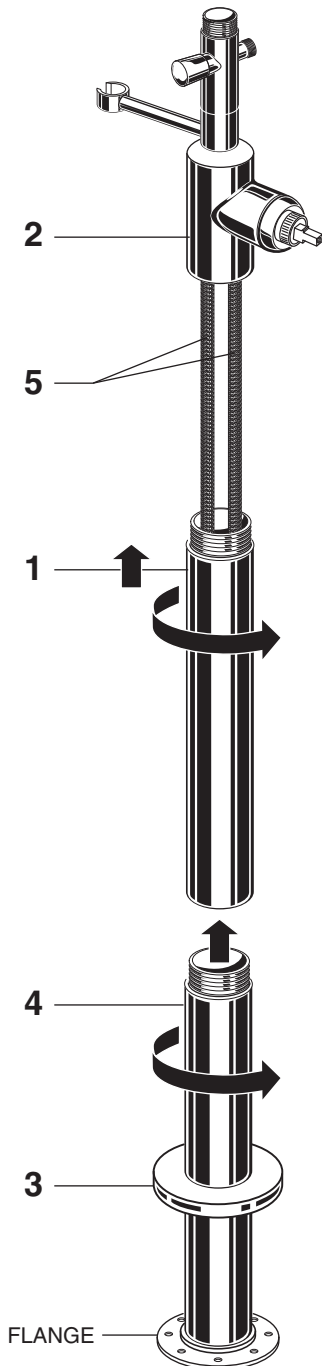
Teflon Tape

1 INSTALL RISER TUBES TO VALVE BODY

CAUTION

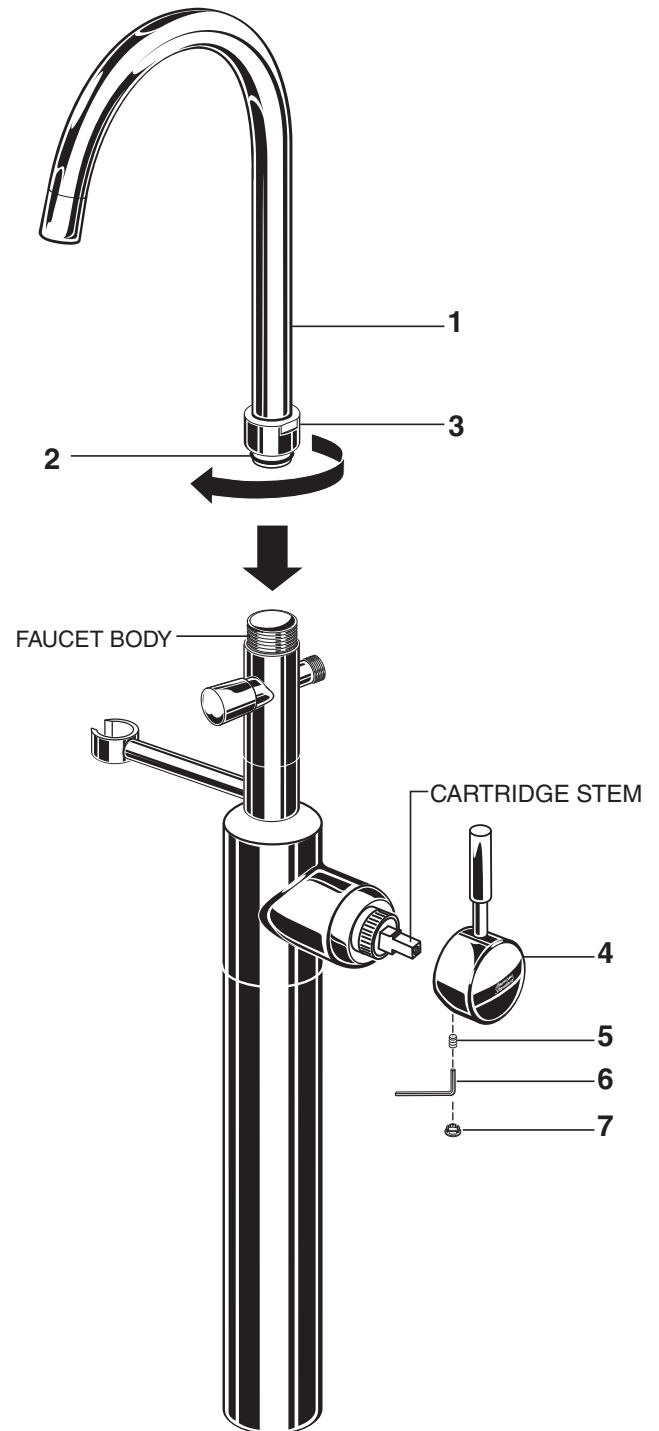
Turn off hot and cold water supplies before beginning.

- Insert RISER TUBE (1) without the flange over SUPPLY HOSES (5). Thread the RISER TUBE (1) into base of the VALVE BODY (2) and tighten fully.
- Slide the FLOOR MOUNTING FLANGE (3) onto the RISER TUBE (4) with the flange. Thread RISER TUBE (4) into the bottom of RISER TUBE (1) and fully tighten.
Note: Be careful not to scratch the faucet while tightening the tube assembly.



2 INSTALL BATH SPOUT AND HANDLE TO TUB FILLER

- Install SPOUT (1) into faucet body. Make sure O-RING (2) is installed and not damaged.
- Hand tighten SPOUT NUT (3). Align and center the SPOUT (1) with the center line of the faucet body. With an adjustable wrench fully tighten the SPOUT NUT (3).
Note: Be careful not to scratch faucet while tightening SPOUT (1).
- Insert HANDLE (4) on CARTRIDGE STEM, tighten SET SCREW (5) with HEX WRENCH (6) supplied.
- Install INDEX BUTTON (7) into HANDLE (4).



M965140 REV. 2.1 (5/19)

3 DETERMINE MOUNTING LOCATION

FIGURE 1.

- Determine the distance from the finished wall to the center of the floor water supply holes and mark a centerline.
Note: Check that floor is level in both directions.
- Drill a 2" (51mm) diameter hole for the 1/2" Hot and Cold supplies.
- Slide MOUNTING FLANGE (1) downwards on the TUB FILLER ASSEMBLY (2).
- Place MOUNTING FLANGE (1) over the floor supply hole. Align and center the TUB FILLER ASSEMBLY (2).

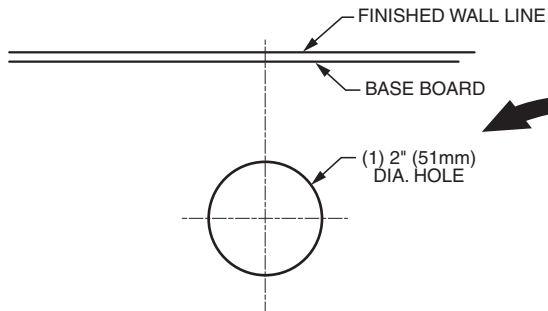


FIGURE 1

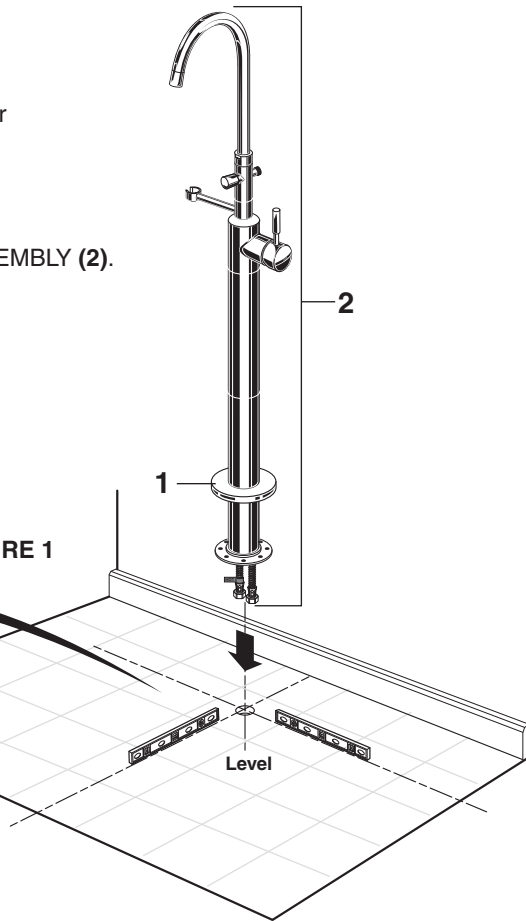


FIGURE 2.

- With the TUB FILLER ASSEMBLY (2) aligned and in desired position, mark on the floor the four mounting holes for the MOUNTING FLANGE (1).

FIGURE 2

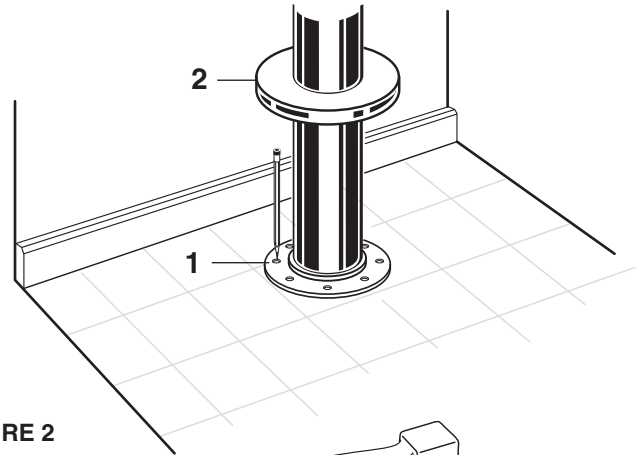
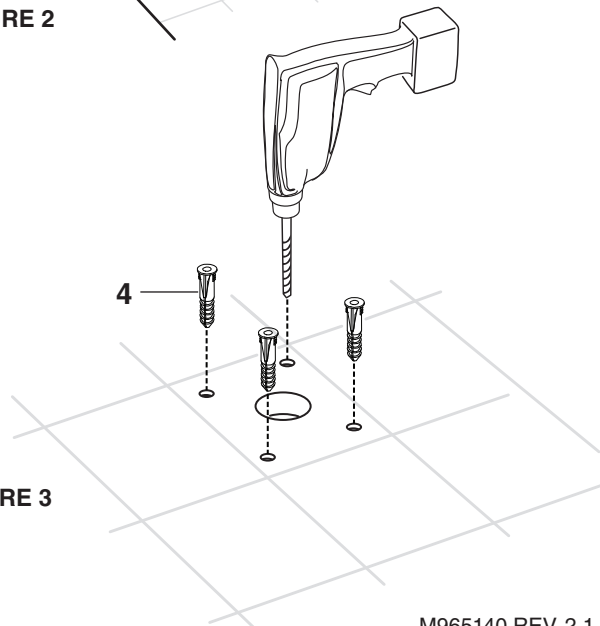


FIGURE 3.

- Drill four 1/4" (6mm) diameter holes 1-3/4" (44mm) deep.
- Install the four ANCHORS (4) supplied, flush with the top of the finished floor.

FIGURE 3



4

INSTALL TUB FILLER ASSEMBLY

INSTALL WATER SUPPLIES AND "T" ADAPTER

FIGURE 1:

- Make sure FLEXIBLE HOT and COLD WATER SUPPLIES protrude through the 2" (51mm) diameter hole in the floor enough to make the supply connections to the "T" ADAPTER (4).

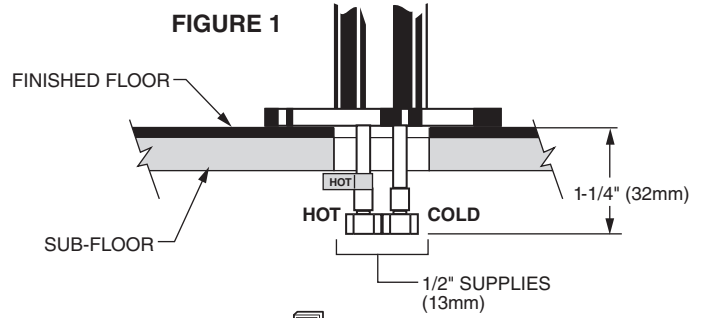


FIGURE 2:

- Hold the TUB FILLER ASSEMBLY (1) in place and install the four MOUNTING SCREWS (2).
- Check alignment and level before fully tightening the MOUNTING SCREWS (2). After tightening the MOUNTING SCREWS (2) slide ESCUTCHEON (3) down to floor.

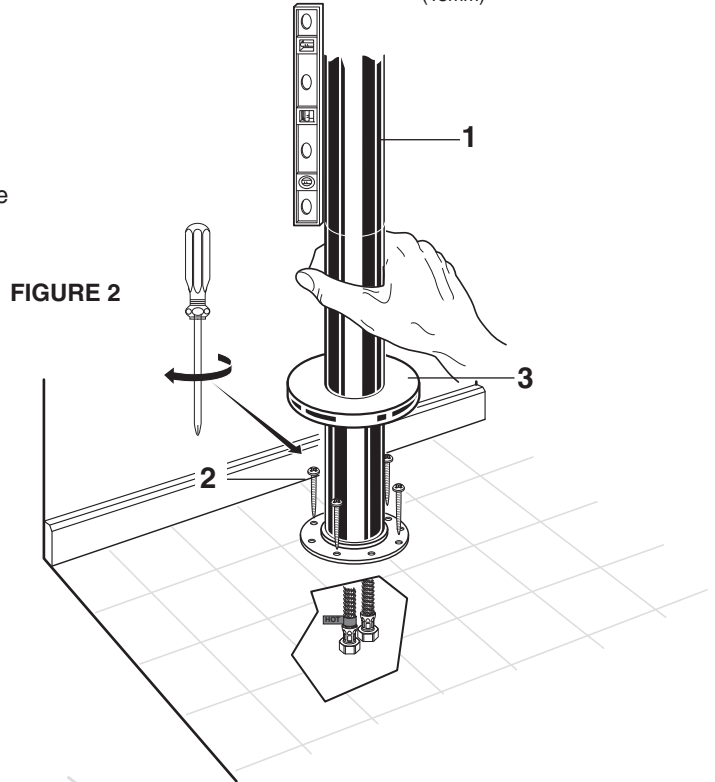
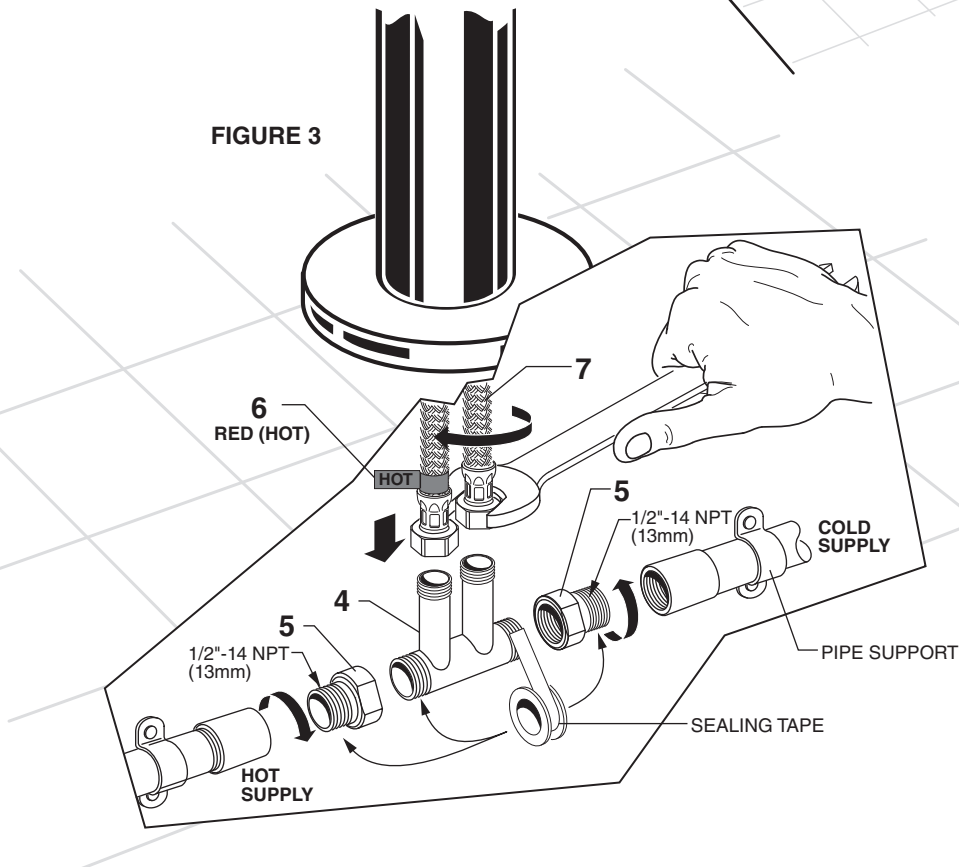


FIGURE 3:

- Apply sealing tape to the threads of the "T" ADAPTER (4) and the two SUPPLY ADAPTERS (5). Thread the two SUPPLY ADAPTERS (5) onto the "T" ADAPTER (4) and tighten fully.
- From below the floor, connect the HOT WATER SUPPLY HOSE (6) (marked with red) to the Hot water supply from the "T" (4) and the COLD WATER SUPPLY HOSE (7) to Cold water supply from the "T" (4). Use an adjustable wrench or 7/8" open end wrench to tighten connections. Do not over tighten.
- Secure piping below floor to floor joist.

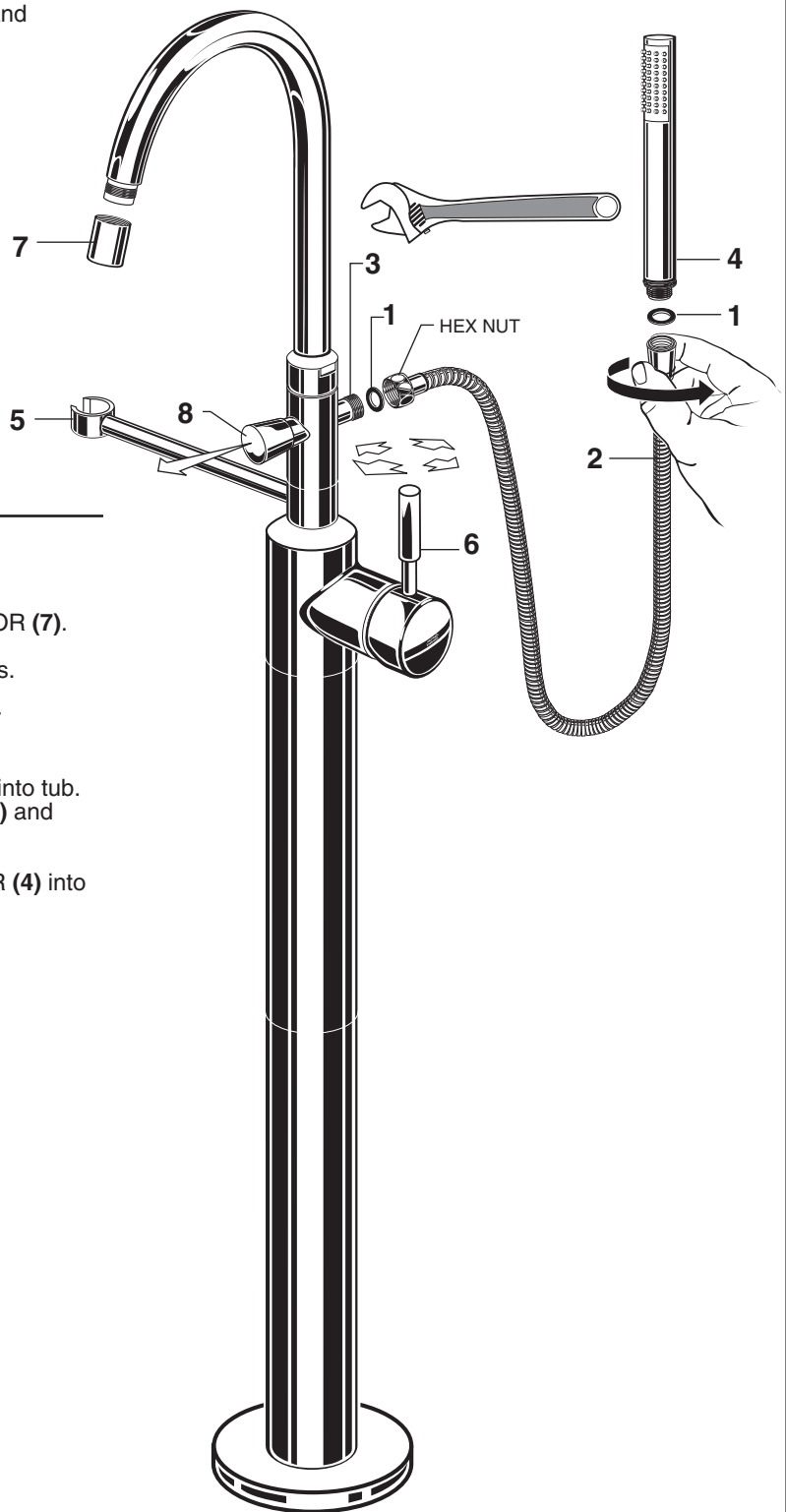
FIGURE 3



5

INSTALL HAND SHOWER

- Install SEALS (1) on both ends of the SPRAY HOSE (2) and connect the one end with the hex nut to the TUB FILLER ASSEMBLY (3) using an adjustable wrench. Hand tighten the connection to the HAND SHOWER (4).
- **Note:** When not in use, the HAND SHOWER (4) should be seated in the HOLDER (5).



6

TEST INSTALLED FAUCET

- Move HANDLE (6) into "off" position and remove AERATOR (7).
- Turn on water supplies and check all connections for leaks.
- Operate HANDLE (6) on to off, hot and cold to flush water lines thoroughly.
- Lift HAND SHOWER (4) from the holder and direct spray into tub. Pull DIVERTER KNOB (8) and check HAND SHOWER (4) and HOSE (2) connections for leaks.
- Push DIVERTER KNOB (8) in and place HAND SHOWER (4) into HOLDER (5).

7

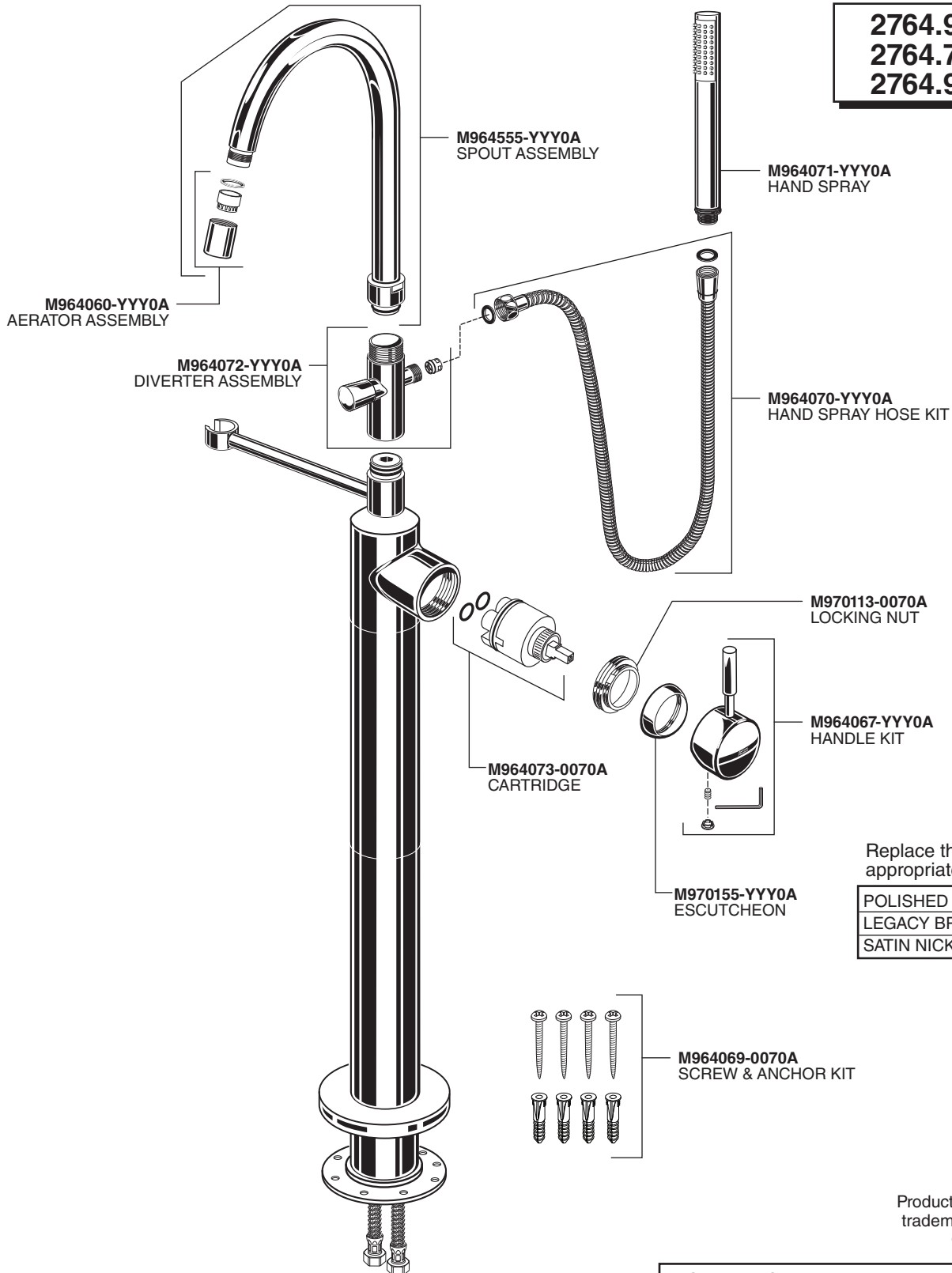
CARE INSTRUCTIONS:

- DO:** SIMPLY RINSE THE PRODUCT CLEAN WITH CLEAR WATER. DRY WITH A SOFT COTTON FLANNEL CLOTH.
- DO NOT:** DO NOT CLEAN THE PRODUCT WITH SOAPS, ACID, POLISH, ABRASIVES, HARSH CLEANERS, OR A CLOTH WITH A COARSE SURFACE.

FREESTANDING SINGLE CONTROL BATH FILLER

MODEL NUMBERS

**2764.951 Series
2764.721 Series
2764.955 Series**



Replace the "YYY" with appropriate finish code

POLISHED CHROME	002
LEGACY BRONZE	278
SATIN NICKEL	295

Product names listed herein are trademarks of AS America, Inc.
© AS America, Inc. 2019

HOT LINE FOR HELP

For toll-free information and answers to your questions, call:
1 (800) 442-1902
Mon. - Fri. 8:00 a.m. to 8:00 p.m. EST
Saturday 10:00 a.m. to 4:00 p.m. EST
IN CANADA 1-800-387-0369
(TORONTO 1-905-306-1093)
Weekdays 8:00 a.m. to 7:00 p.m. EST
IN MEXICO 01-800-839-1200

