

**TOWNSEND® 64" x 34" (60" x 30" Clear)
ADA SOLID SURFACE SHOWER BASE**

- 6434AMFCOL** Barrier Free Front Center Drain
with Trench Cover

Product Features:

- Durable 100% solid, non-porous material
- Smooth matte surface
- Integral 3-sided 1" tiling / water retention flange for easy installation
- Repairable and renewable surface
- Does not support bacteria and fungi growth
- Self-extinguishing
- UV resistant
- Resistant to stains and impact
- Easy maintenance and cleaning
- ADA Compliant when installed according to ADA guidelines
- Drain not included



SEE REVERSE SIDE FOR ROUGHING-IN DIMENSIONS

Nominal Dimensions:

64" x 34" x 1-3/8"
(1626 x 864 x 34mm)

Shower Base Includes:

- Removable Brushed Stainless Steel trench drain cover

Compliance Certifications -

Meets or Exceeds the Following Specifications:

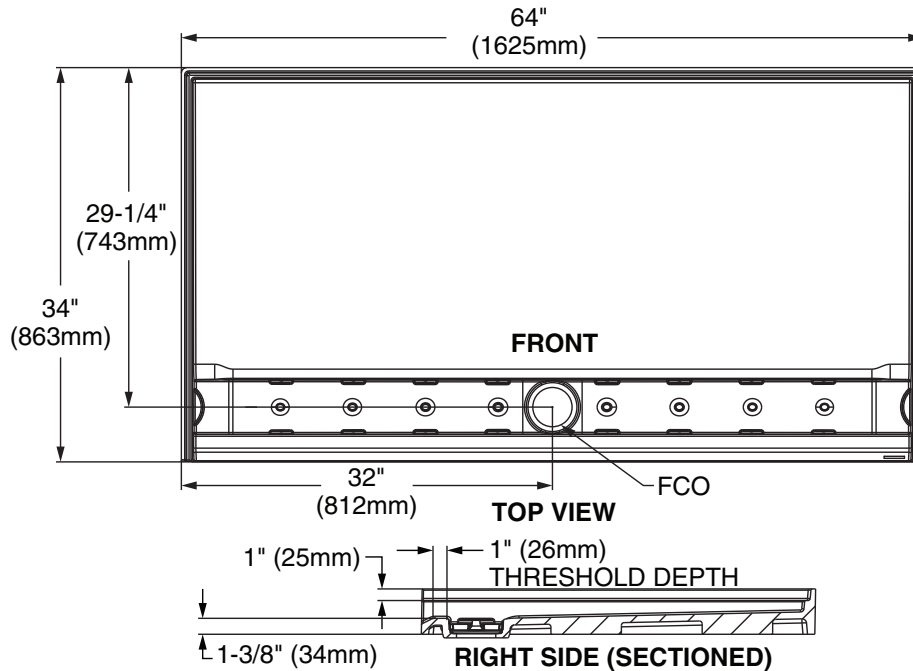
- CSA B45.5 / IAPMO Z124
- cUPC
- ASTM F462 (Pass w/COF=0.44)
- ASTM C1028
 - COF Dry = 0.66
 - COF Wet = 0.56

Flame & Smoke

- ASTM E84
 - Flame Spread Index = 0
 - Smoke Index = 20
- CAN/ULC S102.2
 - Flame Spread Rating = 0
 - Smoke Developed Classification = 15



6434AMFCOL
Barrier Free Front Center Drain
with Trench Cover



GENERAL SPECIFICATIONS FOR 6434AM SHOWER BASE	
INSTALLED SIZE _____	1626mm x 864mm (64 x 34 In.)
WEIGHT _____	56.2 Kg. (124 Lbs.)
SHOWER WELL AT SUMP _____	1562mm x 803mm (61-1/2 x 31-5/8 In.)
SHOWER WELL AT RIM _____	1586mm x 812mm (62-3/8 x 32 In.)
FLOOR LOADING _____	40 Kgs/Sq. m. (8 Lbs./Sq. Ft.) (PROJECTED AREA)