

GAIR WALL HUNG BASIN

Cat. No.
4-303X



Faucet not included

W: 16-1/2"
D: 5-1/8"
H: 9"

Features:

- ▶ Made of Vitreous China
- ▶ Mounting hardware included
- ▶ Available pre-drilled for single hole (4-3031), and 4" centerset (4-3034)
- ▶ Pre- drilled overflow
- ▶ Rim: 1"
- ▶ 5601 & UD701 suggested drain
- ▶ For ease of installation order hangers (pair) or bracket (one)

Colors:

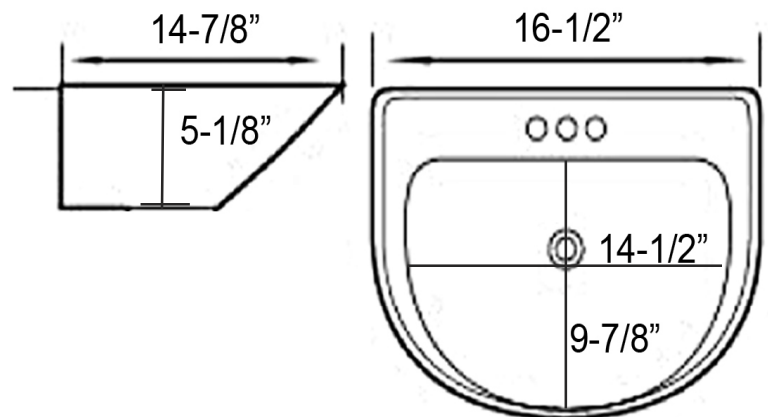
WH White



Compliance Certification
Meets or exceeds the following
specifications: ASME 12.19.2.2018
for vitreous china fixtures.

Interior Dimensions:

Basin Interior: 14-1/2" x 9-7/8"
Basin Depth: 5-1/8"
Water depth to overflow: 3-1/2"
Mount holes cc: 5"
Back of basin to certain drain: 6-1/2"
Center of faucet to back of basin: 2"
Faucet hole diameter: 1-3/8"



Dimensions of fixture are nominal and may vary within the range of tolerances established by ASME Standard A112.19.2.2018. Dimensions and specifications subject to change without notice.