

**33" RUSHMORE DOUBLE
BOWL MARBLE FARMER SINK**

Cat. No
FSMD5570



W: 33"
D: 20"
H: 9-3/8"

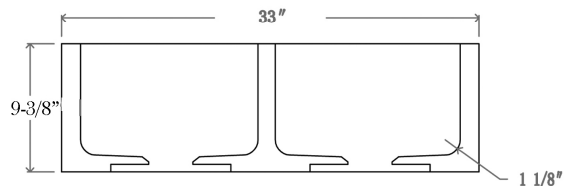
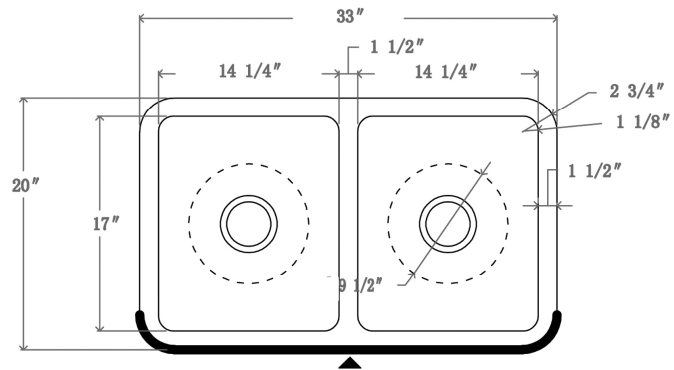
Features:

- ▶ Handcrafted from natural marble
- ▶ Each sink has naturally unique markings on the marble
- ▶ 3½" drain opening
- ▶ Drain sold separately
- ▶ Flange extension required

Colors:

MPGA Polished Galala Marble

***Please do NOT cut hole without
template or actual product.**



Interior Bowl Dimensions:

Basin Interior: 14-1/4" W x 17" D
Basin Depth: 8"

Dimensions of fixture are nominal and may vary within the range of tolerances established by ANSI Standard A112.19.2. Dimensions and specifications subject to change without notice.