

# 30" Speed Oven

800 Series – Stainless Steel HMC80152UC



**HMC80152UC**  
Stainless Steel

The speed oven pairs the cooking qualities of a conventional oven with the speed of microwave technology.

## Features & Benefits

SpeedChef® cooking cycles offer faster cooking times for your convenience.

Flush install matches Bosch wall oven, steam oven, or warming drawer.

2-in-1 microwave and convection oven for a variety of cooking options.

30" width can be installed in horizontal and vertical configuration.

Electrical connection – 120 Volt NEMA 5-20 three prong plug.

LED lights

## General Properties

Cavity material	Stainless steel
Max. microwave power (W)	1,000 W

## Capacity

Cavity capacity (cu. ft.)	1.6
Turntable diameter (in.)	14 1/8"

## Technical Details

Watts (W)	1,920 W
Circuit breaker (A)	20 A
Volts (V)	120 V
Frequency (Hz)	60 Hz
Power cord length (in)	43"
Plug type	NEMA 5-20 – 3 prong plug

## Dimensions & Weight

Overall appliance dimensions (HxWxD) (in)	19 5/8" x 29 3/4" x 22 3/8"
Required cutout size (HxWxD) (in)	(Standard) 19 1/4" x 28 1/2" x 22" (Flush) 20 1/8" x 30" x 23 1/2"
Oven overall interior dimensions (HxWxD) (in.)	9 7/8" x 16 1/2" x 16 1/2"
Turntable – Metal Max. Cookware	12 3/4" dia.
Turntable – Ceramic Max. Cookware	12 1/2" dia.
Rack – Rectangular Cookware Max.	15" x 12"
Net weight (lbs)	92 lbs

## Accessories—Included

Included	Metal turntable, cooking rack, ceramic cooking tray
----------	---



**Accessories:** To purchase Bosch accessories, cleaners & parts please visit [www.bosch-home.com/us/store](http://www.bosch-home.com/us/store) or call 1-800-944-2904 (Mon to Fri 5 am to 6 pm PST, Sat 6 am to 3 pm PST).

**Notes:** All height, width and depth dimensions are shown in inches. BSH reserves the absolute and unrestricted right to change product materials and specifications, at any time, without notice. Consult the product's installation instructions for final dimensional data and other details prior to making cutout.

**Warranties:** Please see Use & Care manual or Bosch website for statement of limited warranty.

**For more information on our entire line of products, go to [www.bosch-home.com/us](http://www.bosch-home.com/us) or call 1-800-944-2904**

© BSH Home Appliances Corporation. All rights reserved. Bosch is a registered trademark of Robert Bosch GmbH.

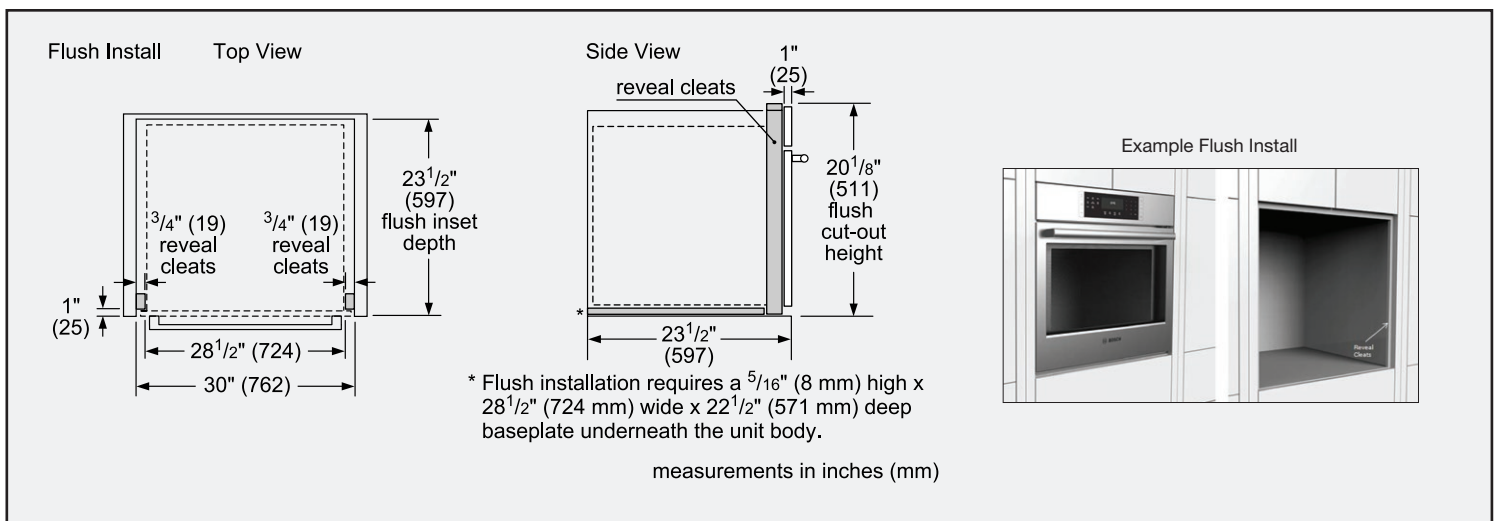
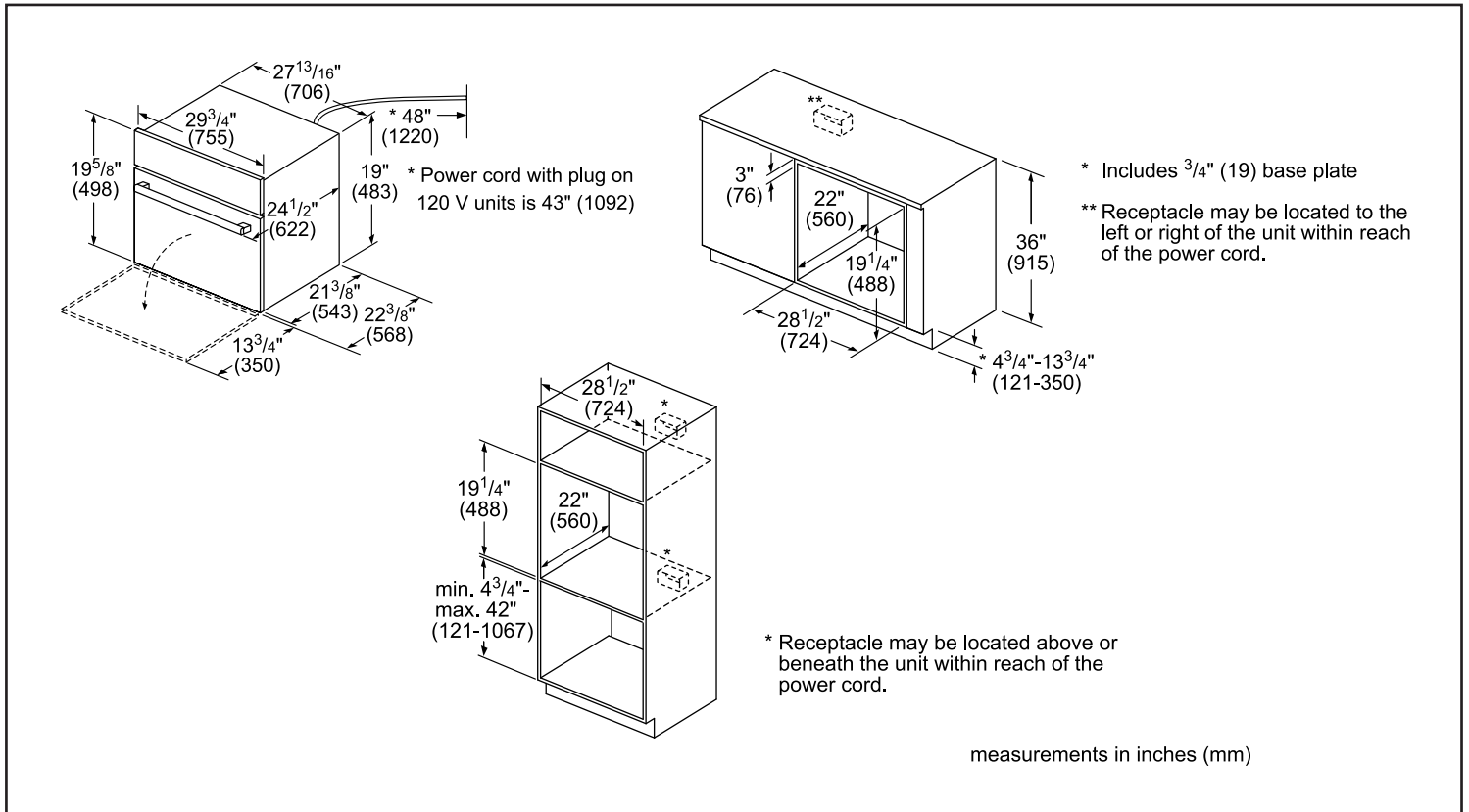
# 30" Speed Oven

800 Series – Stainless Steel HMC80152UC



**BOSCH**  
Invented for life

## Installation Details



**Accessories:** To purchase Bosch accessories, cleaners & parts please visit [www.bosch-home.com/us/store](http://www.bosch-home.com/us/store) or call 1-800-944-2904 (Mon to Fri 5 am to 6 pm PST, Sat 6 am to 3 pm PST).

**Notes:** All height, width and depth dimensions are shown in inches. BSH reserves the absolute and unrestricted right to change product materials and specifications, at any time, without notice. Consult the product's installation instructions for final dimensional data and other details prior to making cutout.

**Warranties:** Please see Use & Care manual or Bosch website for statement of limited warranty.

**For more information on our entire line of products, go to [www.bosch-home.com/us](http://www.bosch-home.com/us) or call 1-800-944-2904**

© BSH Home Appliances Corporation. All rights reserved. Bosch is a registered trademark of Robert Bosch GmbH.

# 30" Speed Oven

800 Series – Stainless Steel HMC80152UC

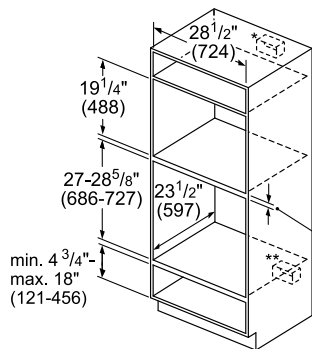


**BOSCH**  
Invented for life



## Installation Details

### Standard Installation Over Single Oven



\* Junction box may be located above or next to the unit within reach of the power cord.

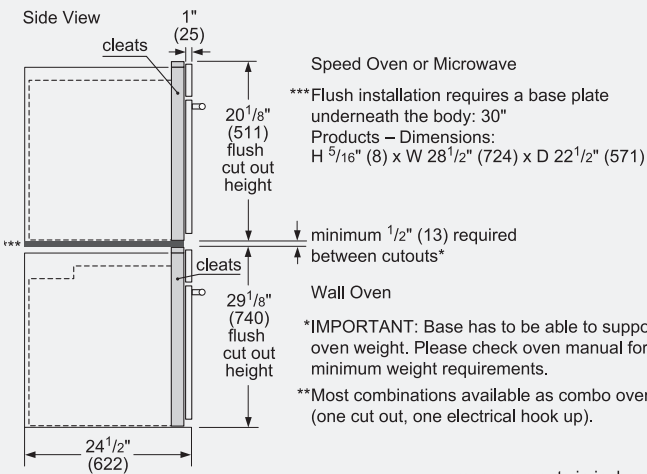
\*\* Junction box may be located below (depending on space) or next to the unit within reach of the power cord.

\*\*\* Most combinations available as combo oven (one cut out, one electrical hook up).

Minimum dimension between cut outs:

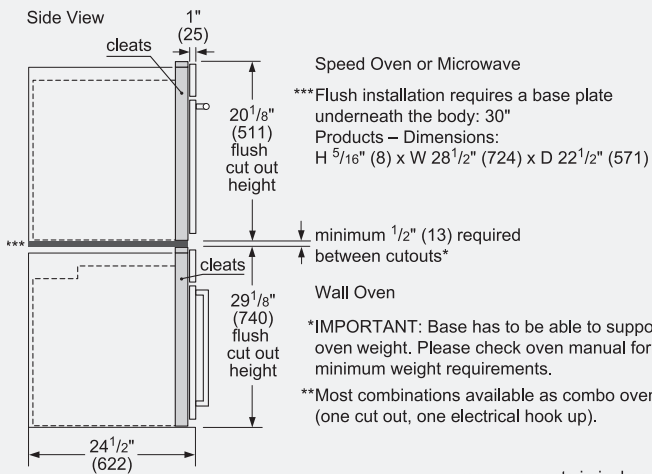
- 1" (25 mm) for wall oven cut out height of 28 5/8"
- 2 5/8" (67 mm) for wall oven cut out height of 27"

### Flush Installation Over Single Oven



measurements in inches (mm)

### Flush Installation Over Single Oven with Side Swing door



measurements in inches (mm)

**Accessories:** To purchase Bosch accessories, cleaners & parts please visit [www.bosch-home.com/us/store](http://www.bosch-home.com/us/store) or call 1-800-944-2904 (Mon to Fri 5 am to 6 pm PST, Sat 6 am to 3 pm PST).

**Notes:** All height, width and depth dimensions are shown in inches. BSH reserves the absolute and unrestricted right to change product materials and specifications, at any time, without notice. Consult the product's installation instructions for final dimensional data and other details prior to making cutout.

**Warranties:** Please see Use & Care manual or Bosch website for statement of limited warranty.

**For more information on our entire line of products, go to [www.bosch-home.com/us](http://www.bosch-home.com/us) or call 1-800-944-2904**

© BSH Home Appliances Corporation. All rights reserved. Bosch is a registered trademark of Robert Bosch GmbH.