

# 30" Single Wall Oven

800 Series – Black Stainless Steel HBL8443UC



**BOSCH**  
Invented for life



**HBL8443UC**  
Black Stainless Steel

Also available in:

Black HBL8463UC  
Stainless Steel HBL8453UC

**Using Genuine European Convection Roast, you can create a juicy, tender roast up to 25% faster than non-convection modes.**

## Features & Benefits

Bosch black stainless steel helps guard against scratches and fingerprints.

Get the oven up to temperature in less time using Fast Preheat™, so meals are ready sooner.

Whether cooking poultry, beef or pork, use the Temperature Meat Probe to monitor the internal temperature and get perfect results every time.

Oven is equipped with a self-cleaning cycle that easily cleans itself via 2, 3, and 4 hour cycle options.

Download the Home Connect app to remotely monitor and control your Bosch wall oven with your smart phone or tablet.

## General Properties

Home Connect™ (WiFi enabled)	Yes
Oven modes	Bake, Variable Broil (hi & low), Roast, Warm, Sabbath, Proof Dough, Convection Bake, Convection Broil, Convection Roast, Pizza, Multi Rack Genuine European Convection, Convection Conversion, Temperature Probe, Fast Preheat

Cleaning type	Self Clean
Telescopic rack	1
Illumination type	Halogen
Interior lights	2

## Oven Performance

Bake / broil element wattages	2,400 / 3,800 W
Convection element wattages	2,000 W

## Technical Details

Watts (W)	6,325 W
Circuit breaker (A)	30 A
Volts (V)	240 / 208 V
Frequency (Hz)	60 Hz
Power cord length (in)	50"
Plug type	Fixed Connection, No Plug
Energy source	Electric



## Dimensions & Weight

Overall appliance dimensions (HxWxD) (in)	29" x 29 3/4" x 24 1/2"
Required cutout size – Standard (HxWxD) (in)	27" – 28 5/8" x 28 1/2" x 23 1/2"
Required cutout size – Flush (HxWxD) (in)	29 1/8" x 30" x 24 1/2"
Oven cavity size (cu. ft.)	4.6
Overall oven interior dimensions (HxWxD) (in)	17 13/16" x 24 1/8" x 18"
Usable oven interior dimensions (HxWxD) (in)	12 1/4" x 23 1/4" x 15 1/4"
Net weight (lbs)	149 lbs

## Accessories – Included

Included	1 Telescopic and 2 Standard Oven Racks, Temperature Probe
----------	---

## Accessories – Optional



**HEZTR301**  
30" Telescopic Rack

† To be fully ADA compliant, these units must be installed according to ADA guidelines. Please check current ADA requirements for guidance on installation.

**Accessories:** To purchase Bosch accessories, cleaners & parts please visit [www.bosch-home.com/us/store](http://www.bosch-home.com/us/store) or call 1-800-944-2904 (Mon to Fri 5 am to 6 pm PST, Sat 6 am to 3 pm PST).

**Notes:** All height, width and depth dimensions are shown in inches. BSH reserves the absolute and unrestricted right to change product materials and specifications, at any time, without notice. Consult the product's installation instructions for final dimensional data and other details prior to making cutout.

**Warranties:** Please see Use & Care manual or Bosch website for statement of limited warranty.

**For more information on our entire line of products, go to [www.bosch-home.com/us](http://www.bosch-home.com/us) or call 1-800-944-2904**

© BSH Home Appliances Corporation. All rights reserved. Bosch is a registered trademark of Robert Bosch GmbH.

# 30" Single Wall Oven

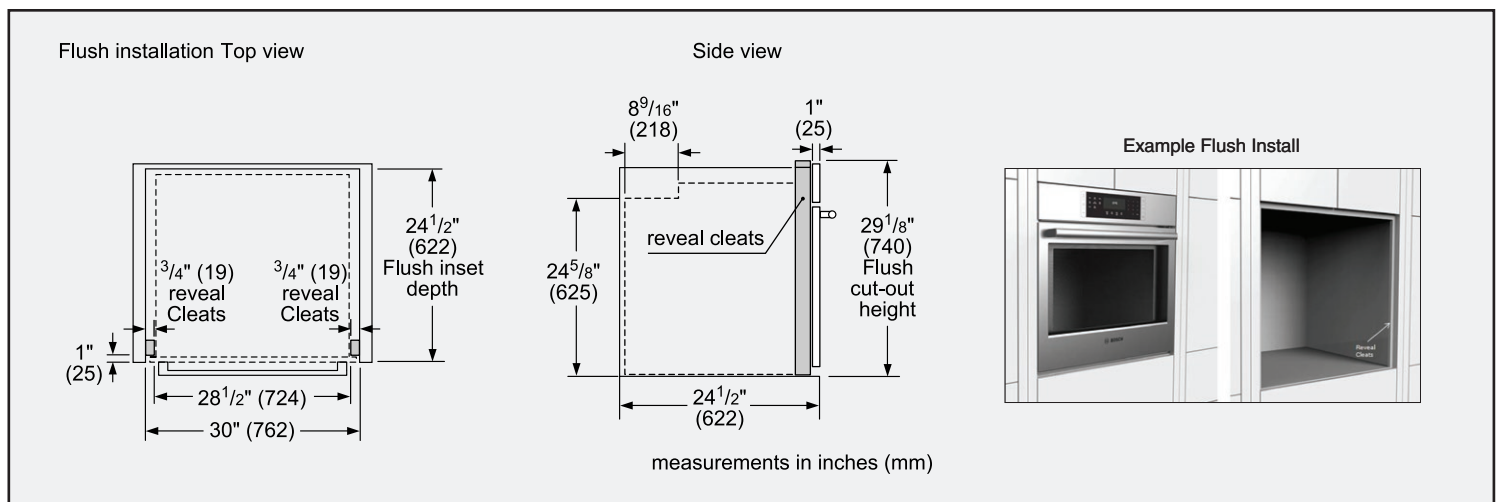
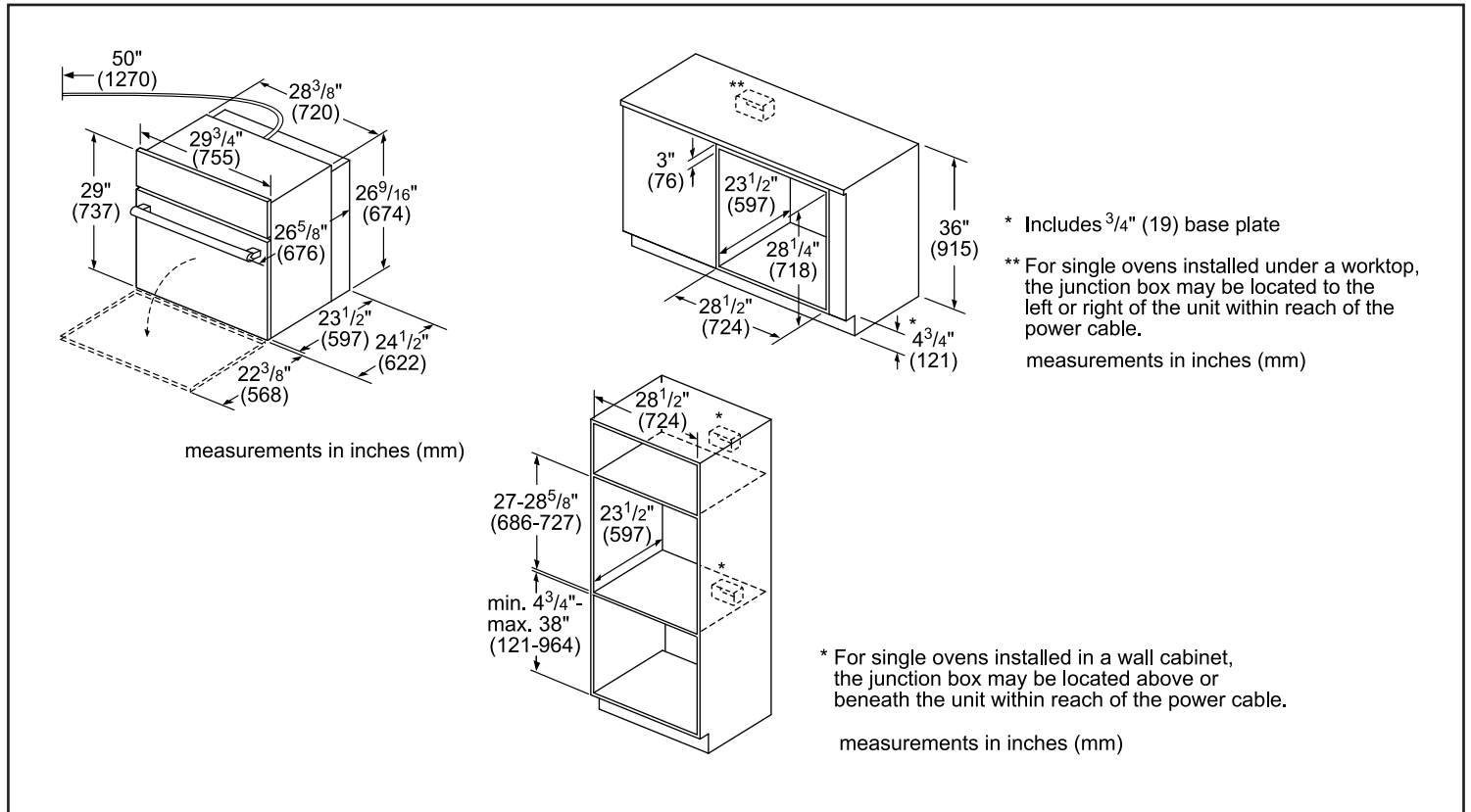
800 Series – Black Stainless Steel HBL8443UC



**BOSCH**

Invented for life

## Installation Details



**Accessories:** To purchase Bosch accessories, cleaners & parts please visit [www.bosch-home.com/us/store](http://www.bosch-home.com/us/store) or call 1-800-944-2904 (Mon to Fri 5 am to 6 pm PST, Sat 6 am to 3 pm PST).

**Notes:** All height, width and depth dimensions are shown in inches. BSH reserves the absolute and unrestricted right to change product materials and specifications, at any time, without notice. Consult the product's installation instructions for final dimensional data and other details prior to making cutout.

**Warranties:** Please see Use & Care manual or Bosch website for statement of limited warranty.

**For more information on our entire line of products, go to [www.bosch-home.com/us](http://www.bosch-home.com/us) or call 1-800-944-2904**

© BSH Home Appliances Corporation. All rights reserved. Bosch is a registered trademark of Robert Bosch GmbH.

# 30" Single Wall Oven

800 Series – Black Stainless Steel HBL8443UC



**BOSCH**  
Invented for life

## Installation Details

<p><b>Standard installation</b> 30" single oven over storage or warming drawer</p> <p>* Wall oven junction box may be located above or to the right or left of the unit within reach of the power cable.</p> <p>** Electrical hook-up may be located below (depending on space) or next to the drawer within reach of the power cable.</p> <p>minimum <math>\frac{3}{4}</math>" (18) required between cut-outs</p> <p>measurements in inches (mm)</p>	<p><b>Flush installation</b> Single oven over storage or warming drawer</p> <p>Side view</p> <p>Single wall oven</p> <p>*IMPORTANT: Base has to be able to support the weight of the oven. Please check oven manual for minimum weight requirements.</p> <p>minimum <math>\frac{1}{2}</math>" (13) required between cut-outs*</p> <p>Warming drawer</p> <p>measurements in inches (mm)</p>
<p><b>Standard installation</b> 30" steam convection oven over single oven***</p> <p>* Junction box may be located above or next to the unit within reach of the power cable.</p> <p>** Junction box may be located below (depending on space) or next to the unit within the reach of the power cable.</p> <p>*** Most combinations available as combo oven (one cut-out, one electrical hook-up).</p> <p>Minimum dimension between cut-outs:</p> <ul style="list-style-type: none"> <li>• 1" (25) for wall oven cut-out of 28<sup>5</sup>/<sub>8</sub>"</li> <li>• 2<sup>5</sup>/<sub>8</sub>" (67) for wall oven cut-out of 27"</li> </ul> <p>measurements in inches (mm)</p>	<p><b>Flush installation</b> Steam convection oven over single oven**</p> <p>Side view</p> <p>Steam convection oven</p> <p>*** Flush installation requires a base plate underneath the body: 30" products – Dimensions: H <math>\frac{5}{16}</math>" (8) x W 28<sup>1</sup>/<sub>2</sub>" (724) x D 22<sup>1</sup>/<sub>2</sub>" (571)</p> <p>minimum <math>\frac{1}{2}</math>" (13) required between cut-outs*</p> <p>Wall oven</p> <p>*IMPORTANT: Base has to be able to support the weight of the oven. Please check oven manual for minimum weight requirements.</p> <p>** Most combinations available as combo oven (one cut-out, one electrical hook-up).</p> <p>measurements in inches (mm)</p>

**Accessories:** To purchase Bosch accessories, cleaners & parts please visit [www.bosch-home.com/us/store](http://www.bosch-home.com/us/store) or call 1-800-944-2904 (Mon to Fri 5 am to 6 pm PST, Sat 6 am to 3 pm PST).

**Notes:** All height, width and depth dimensions are shown in inches. BSH reserves the absolute and unrestricted right to change product materials and specifications, at any time, without notice. Consult the product's installation instructions for final dimensional data and other details prior to making cutout.

**Warranties:** Please see Use & Care manual or Bosch website for statement of limited warranty.

**For more information on our entire line of products, go to [www.bosch-home.com/us](http://www.bosch-home.com/us) or call 1-800-944-2904**

© BSH Home Appliances Corporation. All rights reserved. Bosch is a registered trademark of Robert Bosch GmbH.