

**MODEL #**

**COLOR #**

**730SL**

**DESCRIPTION :**

Closed front with cover, round, injection molded solid plastic toilet seat. Features four molded-in bumpers, color-matched Whisper•Close® hinges with STA-TITE® Seat Fastening System™.

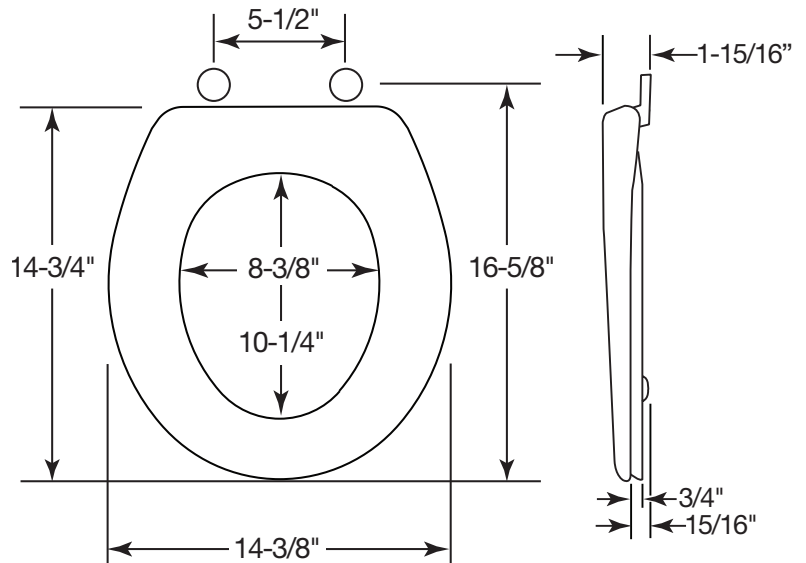
**SPECIFICATIONS :**

Size: Round  
 Material: Plastic  
 Style: Closed Front with Cover  
 Bumpers: Four  
 Hinges: Plastic Whisper•Close®  
 Fastening System: STA-TITE® Seat Fastening System™

**FEATURES :**

Whisper•Close®  
 STA-TITE® Seat Fastening System™

**DIMENSIONS :**



WHISPER•CLOSE®  
FEATURE



PLASTIC WHISPER•CLOSE®  
HINGES



STA-TITE® SEAT  
FASTENING SYSTEM™