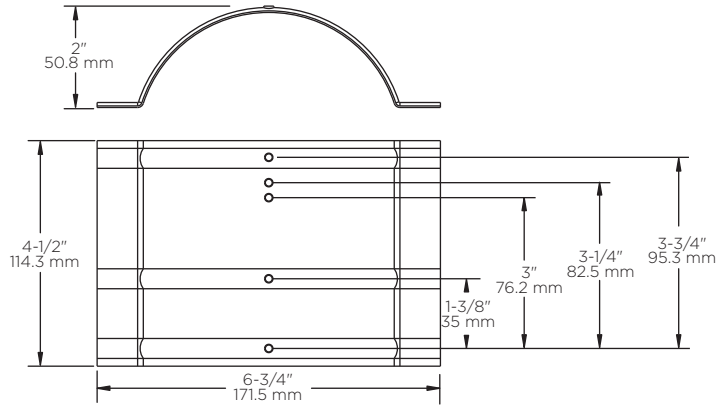


TECHNICAL DATA

Recessed Fixtures

RECESSED WALL CLAMP RP71072



MATERIALS: Bracket - Steel x 20 Gauge, Zinc Plated

INSTALLATION: Insert machine screws provided through both holes in the recessed item and fasten loosely into recessed wall clamp. Install only the clamp portion into the cut hole in wall by angling the corners first upward behind the hole then downward. Tighten screws while positioning recess item and clamp until flush with wall.

Screws are provided to match finish.

SPECIFICATION: Recessed wall clamp shall be model _____
(fill in model number) by Liberty Hardware Manufacturing Corporation.

