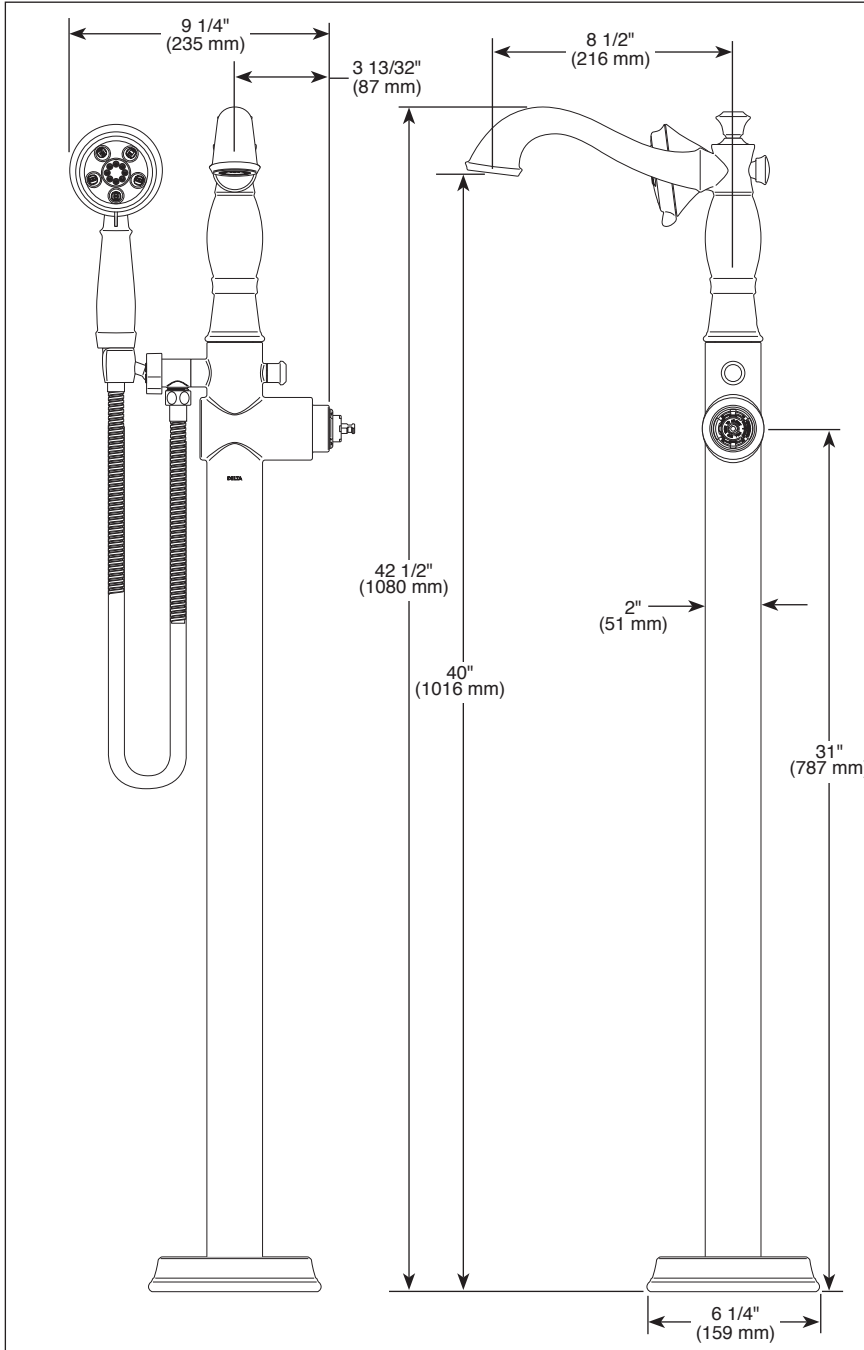


Submitted Model No.: _____

Specific Features: _____



▲ Designate Proper Finish Suffix

Delta reserves the right (1) to make changes in specifications and materials, and (2) to change or discontinue models, both without notice or obligation. Dimensions are for reference only. See current full-line price book or www.deltafaucet.com for finish options and product availability.

DSP-B-T4797-FL-LHP Rev. E



see what Delta can do™

FLOOR MOUNT TUB FILLER

- Traditional Floor Mount Tub Filler
- Coordinates with Cassidy™ Collection

STANDARD SPECIFICATIONS:

- Hand shower max flow rate 1.75 gpm @ 80 psi, 6.6 L/min @ 550 kPa
- Spout flow up to 10 gpm @ 60 psi, 37.8 L/min @ 410 kPa
- Solid brass construction
- Hot and cold indicators
- Swing spout
- 60"-80" stretchable hose with metal fittings
- Auto resetting diverter
- Three-setting H₂Okinetic® hand shower with dual check valves
- Pause, H₂Okinetic® Spray, Massage Spray
- Pivot hand shower holder
- Optional pressure balance cartridge (RP46074) available
- Must order rough R4700-FL or R4700-FLWS
- Order handle separately. Coordinating handle options include H797▲, H795▲, and H798▲.

WARRANTY

- Parts and Finish - Lifetime limited warranty; or for commercial purchasers, 10 years for multi-family residential (apartments and condominiums) and 5 years for all other commercial uses, in each case from the date of purchase.
- Electronic Parts and Batteries (if applicable) - 5 years from the date of purchase; or for commercial purchasers, 1 year from the date of purchase. No warranty is provided on batteries.

WARNING: Risk of personal injury. Do not use the tub filler as a grab bar or support bar. Install this product according to the installation guide.



COMPLIES WITH:

- ASME A112.18.1 / CSA B125.1
- EPA WaterSense®

Delta Faucet Company

55 E. 111th Street, Indianapolis, IN 46280
350 South Edgeware Road, St. Thomas, ON N5P 4L1
© 2019 Delta Faucet Company