



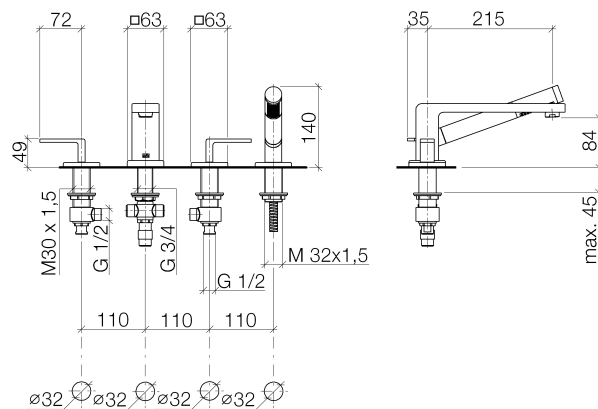
**Product specifications**

**• 8-1/2" Projection**

- Hand shower set: Standard spray
- Spout: Round aerated stream
- Hand shower set with anti-scale technology
- Integrated diverter
- Total height 4-3/8"
- Height to aerator/spout outlet 3-1/4"
- Valve hole diameter 1-1/4"
- Spout hole diameter 1-1/4"
- Hole diameter for hand shower set 1-1/4"
- 2-1/2" x 2-1/2" flange for spout
- Hand shower set with flange 2-1/2" x 2-1/2"
- Valve with flange 2-1/2" x 2-1/2"
- Metal shower hose 68-7/8" with anti-twist device
- Spout flow rate max. 6.3 gpm
- Handshower flow rate max. 2 gpm

**Internal backflow preventer.**

**NOTE: Local building codes may require the use of an anti-scald device. Please refer to remote pressure balance valve (35 910 970 90)**



Bath & Spa

**LULU Deck-mounted tub mixer, with hand shower set for deck-mounted tub installation**

Article number: 27512710

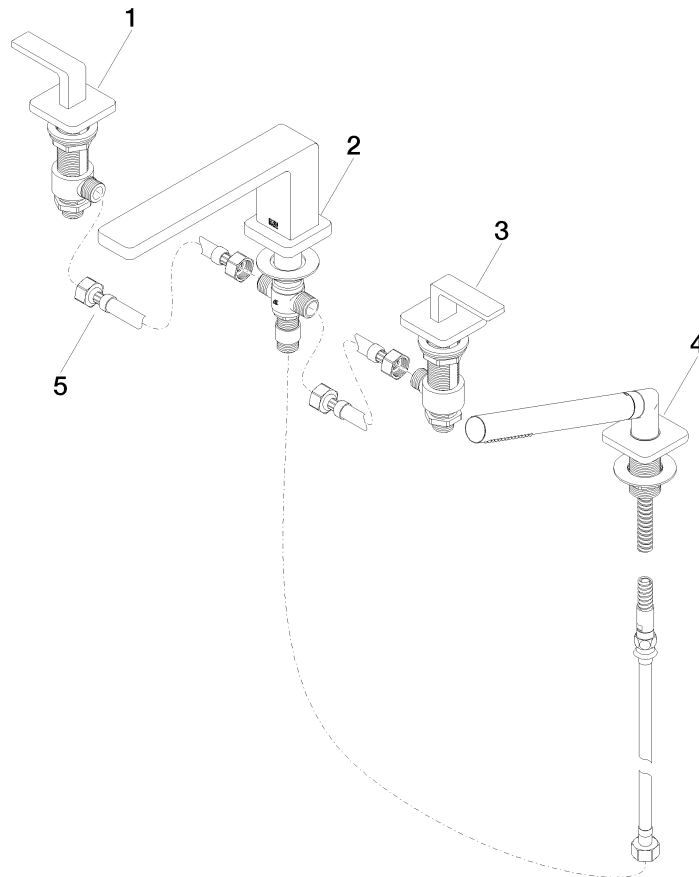
---



**Surfaces**

- chrome 27512710-00
- matt platinum 27512710-06

**Exploded assembly drawing**



**Order quantity**

<b>No.</b>	<b>Article number</b>	<b>Name</b>	<b>Installation quantity</b>
<b>1</b>	20000710ff	side panel	1
<b>2</b>	13512710ff	spout	1
<b>3</b>	20000711ff	side panel	1
<b>4</b>	27702710ff	shower set	1
<b>5</b>	1250297090	hose	1

**Flow rate chart**

