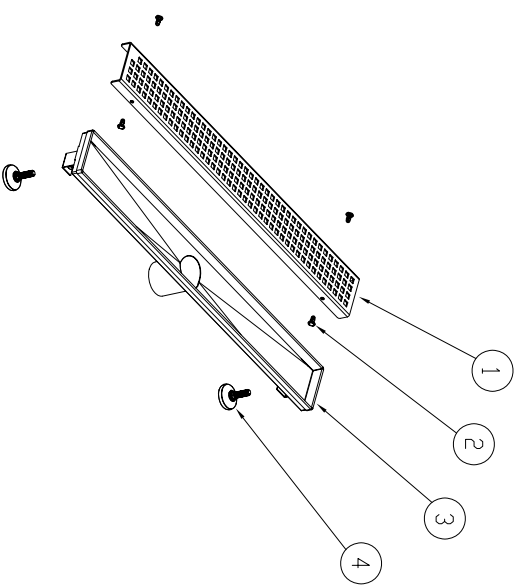


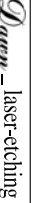
SECTION A-A



Brisbane Riuer serie

NO	DESCRIPTION	QTY	MATERIAL	SIZE
1	Linear drain cover	1	SUS304	23 $\frac{3}{4}$ "x2 $\frac{3}{4}$ "x $\frac{3}{4}$ "(14G)
2	plastic connectors	4	PP	ϕ $\frac{3}{8}$ "x $\frac{9}{16}$ "
3	Linear drain stand	1	SUS304	24"x3"x3 $\frac{3}{8}$ "(18G)
4	mounting brackets	2	composite material	ϕ 1 $\frac{1}{16}$ "x1 $\frac{1}{16}$ "

Kaiping Dawn Plumbing Products, Inc

Type:	Linear drain	Material:	SUS304
Model:	LBE240304	Feature:	18/8 Chrome-Nickel
Size/Overall:			Polished, Stain Finish
Scale:			
Design:	Ming		
Drawn:	Pu		
Date:	2014-03-27	Logo:	 _laser-etching
Manufacture Date:		Approved:	