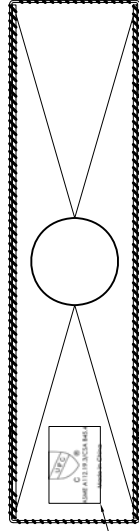
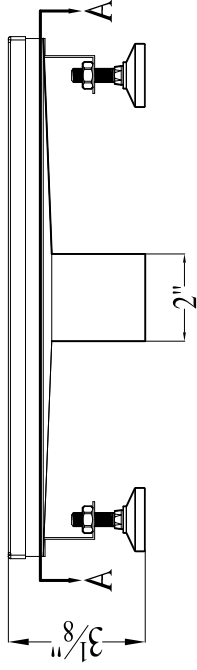
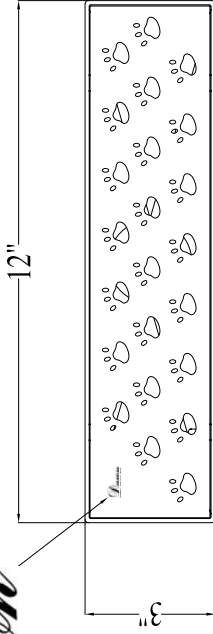
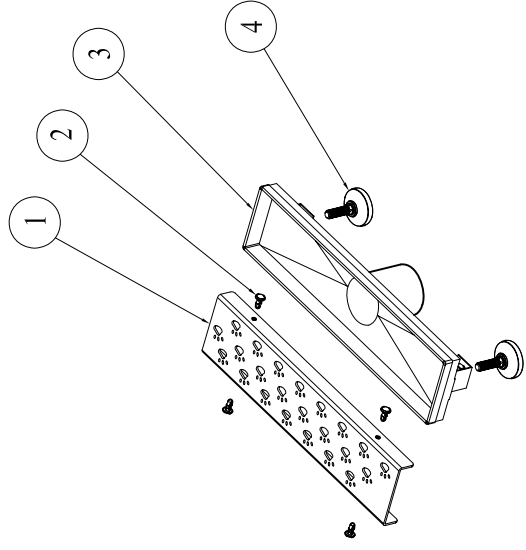
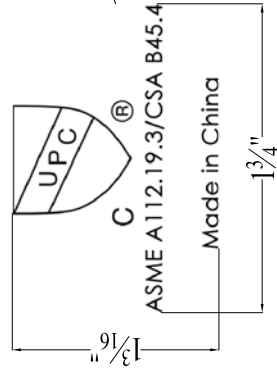


Dawn



SECTION A-A



Memuru Riuer serie

NO	DESCRIPTION	QTY	MATERIAL	SIZE
1	Linear drain cover	1	SUS304	11 3/4" X 2 3/4" X 3/4" (14G)
2	plastic connectors	4	PP	Ø 3/8" X 9/16"
3	Linear drain stand	1	SUS304	12" X 3" X 3/8" (18G)
4	mounting brackets	2	composite material	Ø 1 1/16" X 1 1/16"

Kaiping Dawn Plumbing Products, Inc

Type:	Linear drain	Material:	SUS304
Model:	LMU120304	Feature:	18/8 Chrome-Nickel
Size/Overall:			Polished, Stain Finish
Scale:			
Design:	Ming		
Drawn:	YANG		
Date:	2014-08-27	Logo:	<i>Dawn</i> _ laser-etching
Manufacture Date:		Approved:	