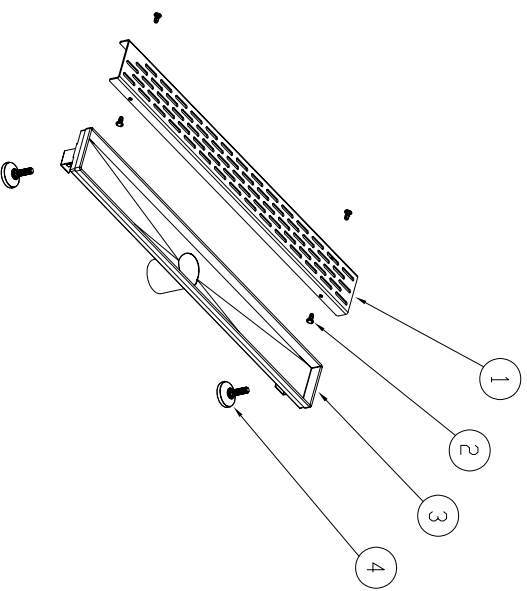


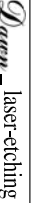
SECTION A-A



Yangtze Riuer serie

NO	DESCRIPTION	QTY	MATERIAL	SIZE
1	Linear drain cover	1	SUS304	23 ³ / ₄ "x23 ³ / ₄ "x3 ¹ / ₄ "(14G)
2	plastic connectors	4	PP	ø3 ⁵ / ₈ "x9 ¹ / ₁₆ "
3	Linear drain stand	1	SUS304	24"x3"x3 ³ / ₈ "(18G)
4	mounting brackets	2	composite material	ø1 ¹ / ₁₆ "x1 ¹ / ₁₆ "

Kaiping Dawn Plumbing Products, Inc

Type:	Linear drain	Material:	SUS304
Model:	LYE240304	Feature:	18/8 Chrome-Nickel
Size/Overall:			Polished, Stain Finish
Scale:			
Design:	Ming		
Drawn:	Pu		
Date:	2014-03-27	Logo:	 _laser-etching
Manufacture Date:		Approved:	