

Molded Fiberglass Corner Shower Receptors with THE EDGE

Architect's Specifications

Furnish and install molded fiberglass one piece shower unit manufactured by Florestone Products Company. Unit to be manufactured of gel-coated fiberglass and to be supplied with slip-resistant floor laminated for extra rigidity. Color will be white (unless otherwise specified). Unit to be supplied with a 2" PNC non-caulk drain

Colors

Standard Color: White

Optional Colors: Almond, Biscuit, Bone and Special Granite Colors.

Color matching most major manufacturers' colors available.

Accessories

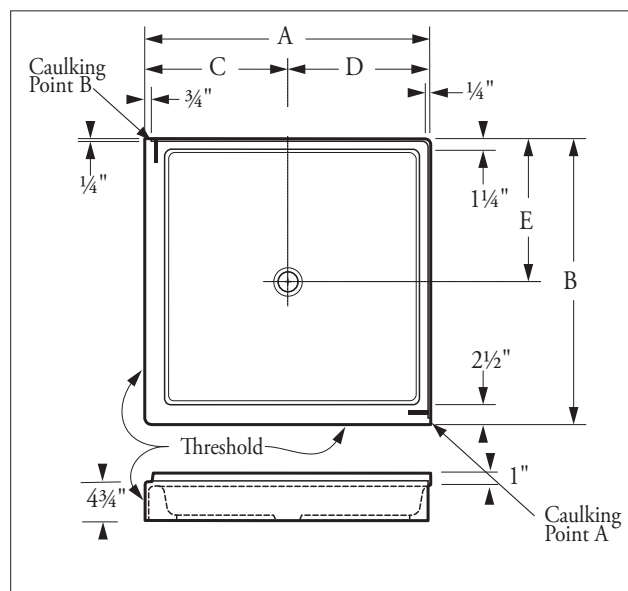
Strainer, Chrome

Strainer, Plastic

Repair Kit.



One piece, double threshold model for corner installation. Square 32" x 32" dimension allows either right-hand or left-hand corner installation.



**Dimensions may vary $\pm 1/4$ " inch.
Please check unit before installation.**

**Place receptor on a bed of mortar or
plaster for warranty compliance.**

**Dimensions subject to
change without notice.
Contact Florestone Products to
verify product specifications.**



FLORESTONE PRODUCTS CO., INC.

2851 Falcon Drive • Madera, CA 93637

T. 559.661.4171 • T. 800.446.8827

F. 559.661.2070 • florestone.com

| Model | A | B | C | D | E | WT. |
|--------------|-----|-----|-----|-----|-----|-----|
| 3232F-Corner | 32" | 32" | 16" | 16" | 16" | 59 |
| 4242F-Corner | 42" | 42" | 21" | 21" | 21" | 60 |

Standards:

ANSI

American National Standards Institute - Specifications Z-124.2.