

**Florestone
Model 36-34H
Institutional Shower**

36" x 36" x 79"
Weight: 215 lbs.

**Architect's
Specifications**

Furnish and install one-piece gel-coated fiberglass shower stall Model 36-34H designed for barrier-free use as manufactured by Florestone Products Company. Basic shower will conform to ANSI-Z-124.2. Unit to include stainless steel curtain rod; Symmons® pressure balance mixing valve with concealed check stops; Moen® hand-held shower head with hose and stainless steel slide bar/grab bar; two stainless steel grab bars; stainless steel recessed soap dish; white naugahyde folding seat (*specify right or left hand*).

Supplied with 2" brass drain.

Shower curtain optional.

Curtain Size: 45" x 75".

Standard Color: White.

Special order colors available.

Standards:

I.A.P.M.O. File No. 0687
ANSI-Z-124.2

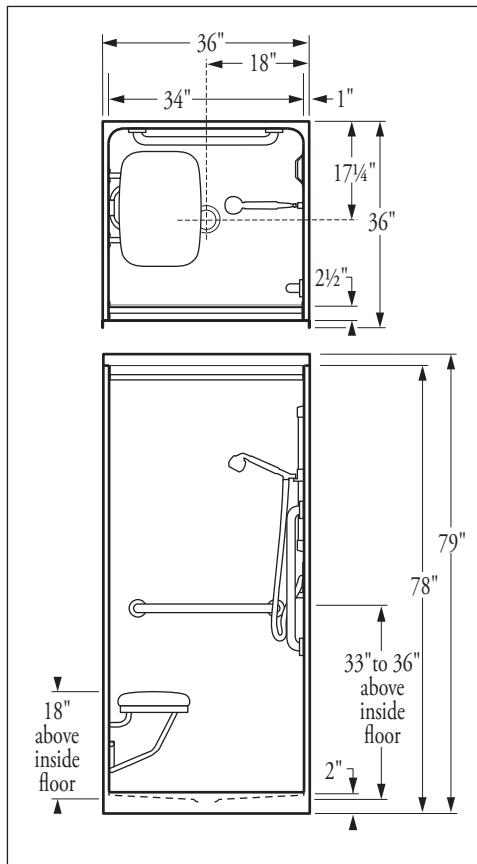


FLORESTONE PRODUCTS CO., INC.

2851 Falcon Drive • Madera, CA 93637

T. 559.661.4171 • T. 800.446.8827

F. 559.661.2070 • florestone.com



**Shower
comes complete
with accessories:**

- Stainless steel curtain rod
- Symmons® pressure balance mixing valve
- Moen® hand-held shower head, hose and stainless steel slide bar/grab bar
- Two stainless steel grab bars
- Stainless steel recessed soap dish
- White naugahyde folding wheelchair transfer seat (*specify right or left hand*)
- **Optional:** Phenolic folding wheelchair transfer seat (*specify right or left hand*)

**Dimensions may vary ± 1/4" inch.
Please check unit before installation.**

For barrier-free installation, contractor shall provide recess for curb in sub floor.

Note: Exterior floor drain for water run-off recommended.
Symmons® is a Registered Trade Mark of Symmons Industries, Inc.
Moen® is a Registered Trade Mark of Moen Corporation.

**Dimensions subject to
change without notice.**

**Contact Florestone
Products to verify
product specifications.**