

# FISHER & PAYKEL

## MICROWAVE DRAWER

---

OMD24SPX1 & OMD24SDB1 models

INSTALLATION GUIDE

US CA



**⚠ WARNING!**



**Electric Shock Hazard**

**Failure to follow this advice may result in electric shock or death.**

- Disconnect the appliance from the mains electricity supply before carrying out any work or maintenance.
- Connection to a good earth wiring system is essential and mandatory.
- Alterations to the domestic wiring system must only be made by a qualified electrician.

**⚠ WARNING!**



**Cut Hazard**

**Failure to use caution could result in injury.**

- Take care: some edges are sharp.

**⚠ WARNING!**



**Tip Hazard**

**Failure to follow this advice may result in damage or personal injury.**

- To reduce the risk of tipping, the microwave drawer must be secured by a properly installed Anti-Tip block.

**READ AND SAVE THIS GUIDE**

**General Use**

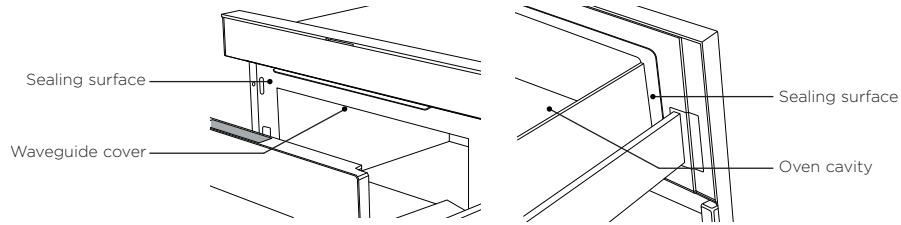
- Keep this installation guide with your user guide for future reference.
- When using any microwave oven generating heat, there are certain safety precautions you should follow. These are listed in the user guide. Read all and follow carefully.
- Ensure that your microwave drawer is installed and grounded properly by a Fisher & Paykel trained and supported service technician or qualified person.
- Do not use an extension cord. If the power supply cord is too short, have a a Fisher & Paykel trained and supported service technician or qualified person install an outlet near the appliance.
- This appliance must be grounded. In the event of an electrical short circuit, grounding reduces the risk of electric shock by providing an escape wire for the electric current. This appliance is equipped with a cord having a grounding wire with a grounding plug. The plug must be plugged into an outlet that is properly installed and grounded.
- **WARNING** – Improper use of the grounding can result in a risk of electric shock.
- Consult a qualified electrician or serviceman if the grounding instructions are not completely understood, or if doubt exists as to whether the appliance is properly grounded.
- Do not install drawer in any combustible cabinetry, which is not in accord with the stated clearances and dimensions on pages 6-8.
- Ensure that the wall coverings and the cabinets around the microwave drawer can withstand the heat generated.
- Never leave children alone or unattended in the area where a microwave drawer is in use. Never leave the drawer open when the microwave is unattended.
- Stepping, leaning or sitting on the drawer may result in serious injuries and can also cause damage to the microwave drawer.
- Do not use the microwave drawer as a storage space. This creates a potentially hazardous situation.
- Check that the time of day is in the display. If not, touch STOP / CLEAR to prevent unintended use.
- Refer to the user guide for cleaning instructions.
- Contact surface must be solid and level. The floor of the opening should be constructed of plywood strong enough to support the weight of the oven 100lbs (45kg).
- Check location where the microwave drawer will be installed for proper electrical supply.
- Oversized foods or oversized metal utensils should not be inserted in a microwave oven as they may create a fire or risk of electric shock.
- Do not clean with metal scouring pads. Pieces can burn off the pad and touch electrical parts involving a risk of electric shock.
- Do not use paper products when appliance is operated in the grill mode.
- Do not store any materials, other than manufacturer's recommended accessories, in this oven when not in use.
- Do not cover racks or any other part of the oven with metal foil. This will cause overheating of the oven.

**SAVE THESE INSTRUCTIONS**

The models shown in this installation guide may not be available in all markets and are subject to change at any time. For current details about model and specification availability in your country, please go to our website [www.fisherpaykel.com](http://www.fisherpaykel.com) or contact your local Fisher & Paykel dealer.

## SAFETY AND WARNINGS

- Remove all packing materials from inside the microwave drawer. Do not remove the waveguide cover, which is located on the top of the microwave drawer (see illustration on below for waveguide cover location).
- Remove the feature sticker, if one is present. Check the drawer for any damage, as a misaligned or bent drawer, damaged drawer seals and sealing surfaces, broken or loose microwave drawer guides and dents inside the cavity or on the front side of the drawer. If there is any damage, do not operate the microwave drawer and contact your dealer or visit [www.fisherpaykel.com](http://www.fisherpaykel.com).



## PRIOR TO INSTALLATION

Ensure that:

- The countertop and oven cavity are square and level, and are the required dimensions.
- The installation will comply with all clearance requirements and applicable standards and regulations.
- The isolating switch will be easily accessible to the customer with the oven installed.
- The electrician provides sufficient free length of power supply cable to reach from the bottom rear of the cavity to at least 1.5m in front of the bottom edge of the opening.
- The cable may enter the cavity from the side, top or bottom, but top entry must be at the rear of the cavity.
- The oven connection socket (if fitted) is outside the cavity if the oven is flush to the rear wall.
- The oven will rest on a surface that can support its weight.
- The height from the floor suits the customer.
- You consult local building authorities and by-laws if in doubt regarding installation.

**Some environmental factors and cooking habits can cause condensation in and around the oven during use. To protect surrounding cabinetry from possible damage caused by frequent or excessive condensation, we recommend moisture-proofing the oven cabinetry.**

## AFTER INSTALLATION

**The manufacturer does not accept any responsibility for damage resulting from incorrect installation.**

**Ensure that:**

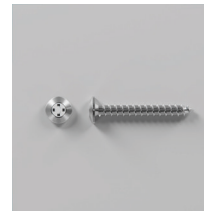
- The oven door(s) can open fully without obstruction.
- The power supply cable does not touch any hot metal parts.
- The isolating switch is easily accessible to the customer with the oven installed.
- You complete the 'Final checklist' at the end of the installation.
- If, after following the instructions given, correct performance cannot be achieved, please contact your nearest Fisher & Paykel Authorised Service Center, Customer Care, or contact us through our local website listed at the end of this document.

## COMPONENTS REQUIRED

### PARTS

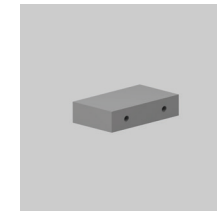
- Keep all packaging materials until the unit has been inspected.
- Inspect the product to ensure there is no shipping damage. If any damage is detected contact the dealer or retailer you bought the product from to report the damage.
- Fisher & Paykel is not responsible for shipping damage.

#### Supplied



Phillips Screw 7/8"  
(22mm) (4)

#### Not supplied



Anti-tip block (1)

### TOOLS

#### Not supplied

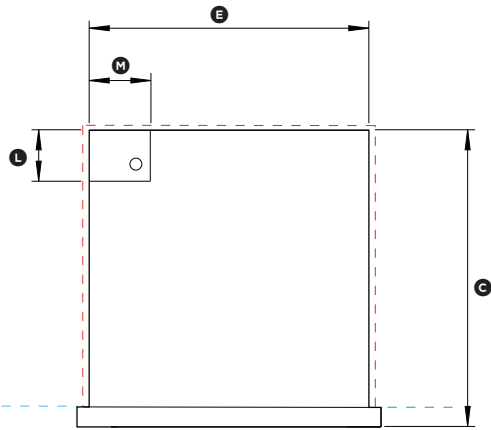


Powered driver

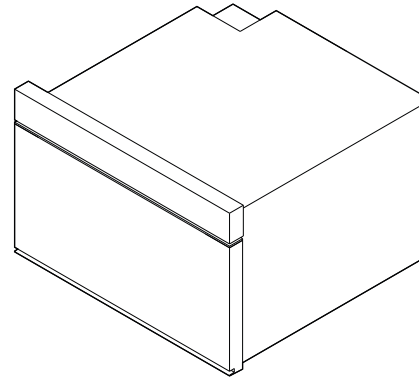


Cross-head screwdriver

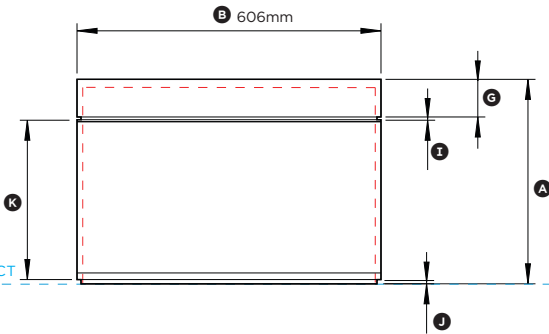
# PRODUCT DIMENSIONS



PLAN VIEW

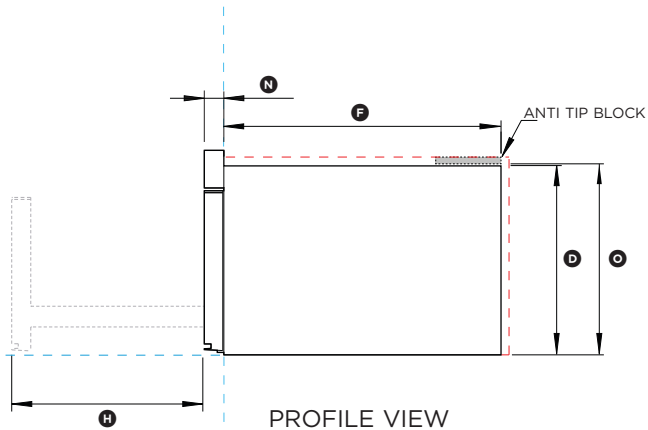


DATUM FRONT OF CHASSIS



FRONT VIEW

DATUM BOTTOM OF PRODUCT



PROFILE VIEW

DATUM FRONT OF CHASSIS

**Model no:**  
OMD24SDB1

Product Dimensions	mm	inch
Ⓐ Overall height	405	15 15/16"
Ⓑ Overall width	606	23 7/8"
Ⓒ Overall depth	592	23 5/16"
Ⓓ Height of chassis	374	14 3/4"
Ⓔ Width of chassis	557	21 15/16"
Ⓕ Depth of chassis	552	21 3/4"
Ⓖ Height of control panel	78	3 1/16"
Ⓗ Drawer opening distance	330	13"
Ⓛ Gap between door and control panel	5	3/16"
Ⓜ Height from bottom datum to bottom of door	6	1/4"
Ⓝ Height of door	316	12 7/16"
Ⓟ Depth of electrical inlet	102	4"
Ⓜ Width of electrical inlet	122	4 13/16"
Ⓝ Control panel depth	40	1 9/16"
Ⓞ Height to bottom of anti tip block	377	14 13/16"

\*Anti tip block is not supplied with product. Include in cabinetry design

Dimension Clearances	mm	inch
Minimum inside height of cavity	393	15 1/12"
Minimum inside width of cavity	562	22 1/8"
Minimum inside depth of cavity	557	21 15/16"

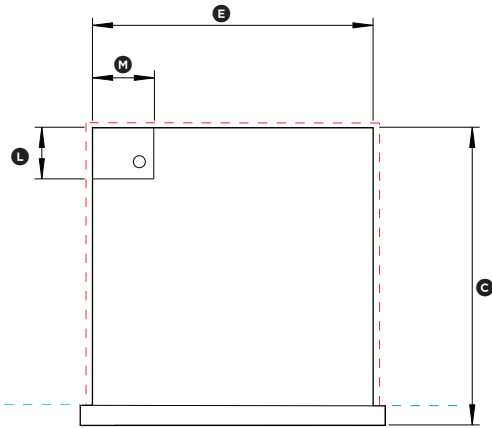
INDICATES CABINETY / PRODUCT DATUM -----

INDICATES CABINETY CLEARANCES -----

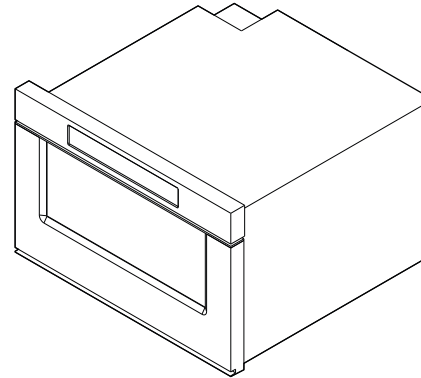
IMPORTANT NOTE: Throughout this guide, dimensions may vary by  $\pm 2\text{mm}$  (1/16"). Please read the installation manual for detailed information on installing the product. For full installation instructions & specifications visit [fisherpaykel.com](http://fisherpaykel.com)



# PRODUCT DIMENSIONS



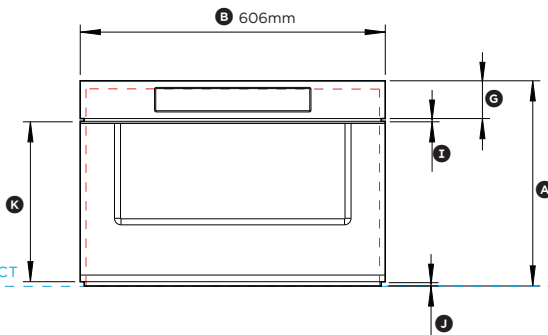
PLAN VIEW



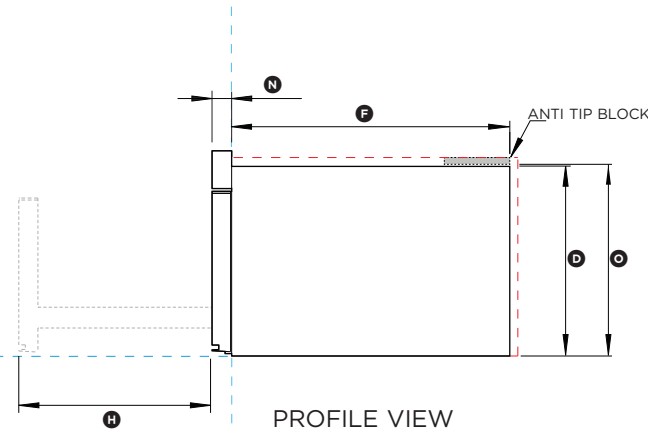
**Model no:**  
OMD24SPX1

Product Dimensions	mm	inch
Ⓐ Overall height	405	15 15/16"
Ⓑ Overall width	606	23 7/8"
Ⓒ Overall depth	592	23 5/16"
Ⓓ Height of chassis	374	14 3/4"
Ⓔ Width of chassis	557	21 15/16"
Ⓕ Depth of chassis	552	21 3/4"
Ⓖ Height of control panel	75	2 15/16"
Ⓜ Drawer opening distance	330	13"
Ⓣ Gap between door and control panel	6	1/4"
Ⓤ Height from bottom datum to bottom of door	6	1/4"
Ⓚ Height of door	319	12 9/16"
Ⓛ Depth of electrical inlet	102	4"
Ⓜ Width of electrical inlet	122	4 13/16"
Ⓝ Control panel depth	40	1 9/16"
Ⓞ Height to bottom of anti tip block	377	14 13/16"

\*Anti tip block is not supplied with product. Include in cabinetry design



FRONT VIEW



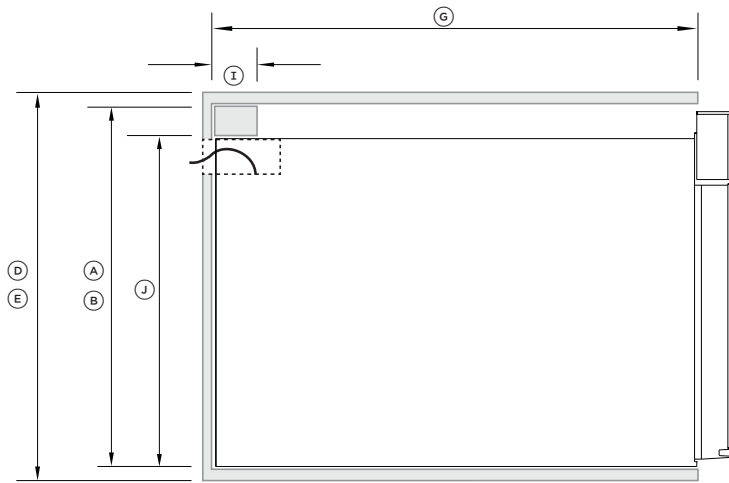
PROFILE VIEW

Dimension Clearances	mm	mm
Minimum inside height of cavity	393	15 1/12"
Minimum inside width of cavity	562	22 1/8"
Minimum inside depth of cavity	557	21 15/16"

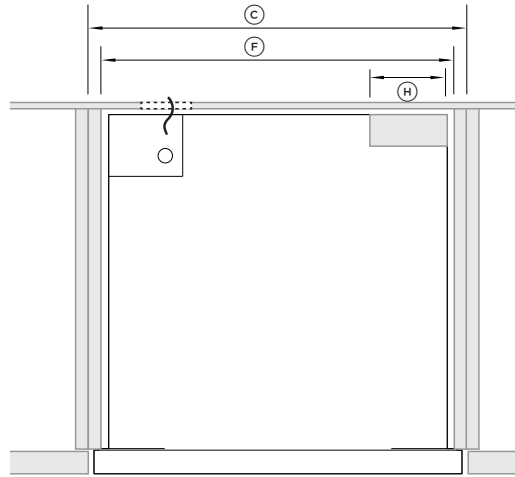
INDICATES CABINERY / PRODUCT DATUM -----  
 INDICATES CABINERY CLEARANCES - - - - -  
 IMPORTANT NOTE: Throughout this guide, dimensions may vary by  $\pm 2\text{mm}$  (1/16"). Please read the installation manual for detailed information on installing the product. For full installation instructions & specifications visit [fisherpaykel.com](http://fisherpaykel.com)



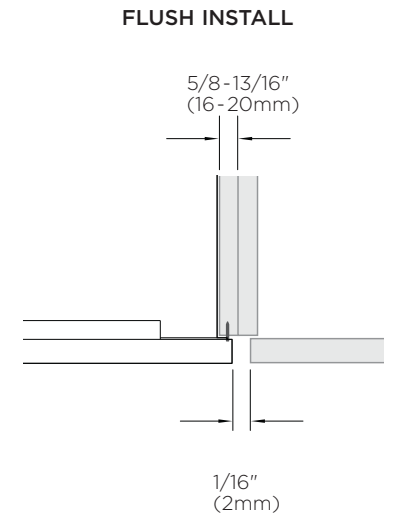
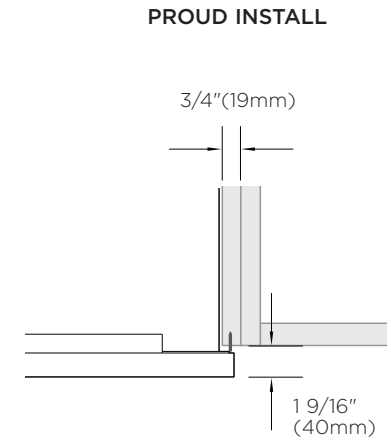
## CABINETRY DIMENSIONS



PROFILE



PLAN



CABINETRY DIMENSIONS		INCHES	MM
Ⓐ	Minimum inside height of cavity flush	16 1/16	408
Ⓑ	Minimum inside height of cavity proud	15 9/16	395
Ⓒ	Overall width of cabinetry	24	610
Ⓓ	Overall height of cabinetry flush	17 9/16	446
Ⓔ	Overall height of cabinetry proud	17 1/16	433
Ⓕ	Minimum inside width of cavity	22 1/8	562
Ⓖ	Minimum inside depth of cavity	21 15/16	557
Ⓗ	Anti-tip block width	6	150
Ⓘ	Anti-tip block depth	3 1/2	90
Ⓙ	Height from bottom of cabinetry to bottom of Anti-tip block	14 13/16	377

If installing a cooktop above the oven, ensure adequate clearance is provided as per the cooktop manufacturer's instructions.



## PLUMBING & ELECTRICAL CONSIDERATIONS

---

- This oven must be connected to the mains power supply only by a suitably qualified person.
- This oven must be earthed.

**Before connecting the oven to the mains power supply, check that:**

the domestic wiring system is suitable for the power drawn by the oven (as specified on the rating plate)

the voltage corresponds to the value given on the rating plate.

MODEL CODE	HZ	VOLTAGE (V)	AMPS (A)
OMD24SPX1, OMD24SDB	60 Hz	120 V	15

**Model and serial number location**

- Open the microwave drawer fully. The label is beyond the back wall of the microwave cavity facing up from the flat surface.

## ANTI-TIP BLOCK INSTALLATION

To reduce the risk of tipping of the drawer, the anti-tip block must be correctly installed, located 14 13/16" (377mm) above the cabinetry floor on which the microwave drawer will sit.

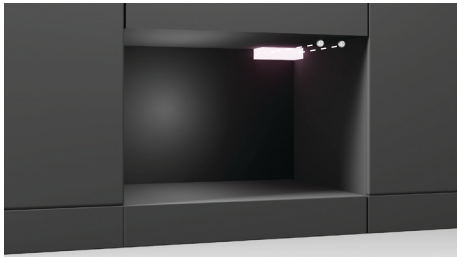
- The 6" (152mm) anti-tip block must be provided by the installer.
- The anti-tip block prevents serious injury that might result from spilled hot liquids.

①



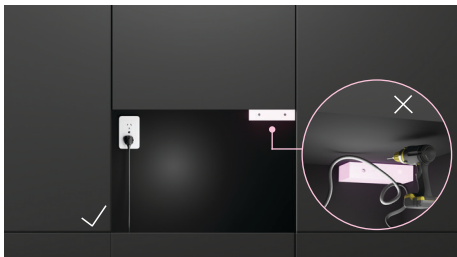
Prepare install location.

②



Install the anti-tip block into the cabinetry 14 13/16" (377mm) above cabinetry floor level. Ensure the screws are fitted into wood or metal for stability.

③



Take care to avoid electrical wiring and plumbing when securing.

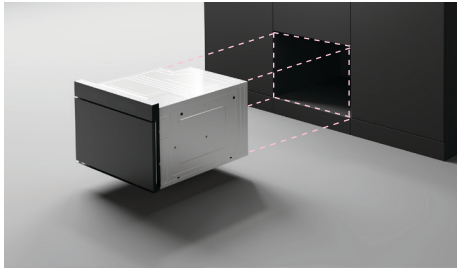
④



If the microwave drawer is to be moved, the anti-tip block must also be moved and reinstalled.

## DRAWER INSTALLATION

①



Place the drawer adjacent to the wall or cabinet opening. Plug the power supply cord into the electrical outlet.

②



Carefully guide the drawer into the cavity.  
Avoid pinching the cord between the oven and the wall.

③



Push the drawer in until the mounting flange is flush with the face of the cabinet.

④



Open the drawer. Using the four holes on the drawer as a template, pre-drill the cabinet using a 1/16" (1.6mm) drill bit.

⑤



Secure the drawer using the 4 x 7/8" (22mm) screws supplied.

## INSTALLER CHECKLIST

---

**Read all installation guidance in this document to see if the unit has been correctly installed.  
Ensure that installation has been completed correctly before use.**

### TO BE COMPLETED BY THE INSTALLER

#### Installation

- Ensure the microwave drawer is level and securely fitted to the cabinetry.
  - Open the microwave drawer slowly until it is fully open and check there is adequate clearance between the bottom of the door and the lower trim. This is to ensure correct air circulation. Should the lower trim become damaged, straighten the trim and ensure the microwave drawer door opens fully without obstruction.
  - Ensure any cable ties and internal packaging have been removed from the microwave drawer cavity.
  - Ensure all microwave drawer vents and openings are clear and free of any obstruction or damage.
  - Ensure cavity ventilation has been set up correctly.
- Failure to make sure all microwave drawer vents are clear may result in poor product performance.**
- Ensure the isolating switch is accessible by the customer.

#### Electrical

- Ensure all electrical tests have been conducted in accordance with local regulations.
- Check electrical outlet is accessible in the adjacent cabinetry.

---

Complete and keep for safe reference:

Model \_\_\_\_\_

Serial No. \_\_\_\_\_

Purchase Date \_\_\_\_\_

Purchaser \_\_\_\_\_

Dealer Address \_\_\_\_\_

Installer's Name \_\_\_\_\_

Installer's Signature \_\_\_\_\_

Installation Company \_\_\_\_\_

Installation Date \_\_\_\_\_



[FISHERPAYKEL.COM](https://www.fisherpaykel.com)

© Fisher & Paykel Appliances 2023. All rights reserved.

The models shown in this guide may not be available in all markets  
and are subject to change at any time.

The product specifications in this guide apply to the specific products and  
models described at the date of issue. Under our policy of continuous product  
improvement, these specifications may change at any time.

For current details about model and specification availability in your country,  
please go to our website or contact your local Fisher & Paykel dealer.

**431251A 05.23**