

# Double DishDrawer™ Dishwasher, Tall, Sanitize

Series 9 | Professional

Stainless Steel

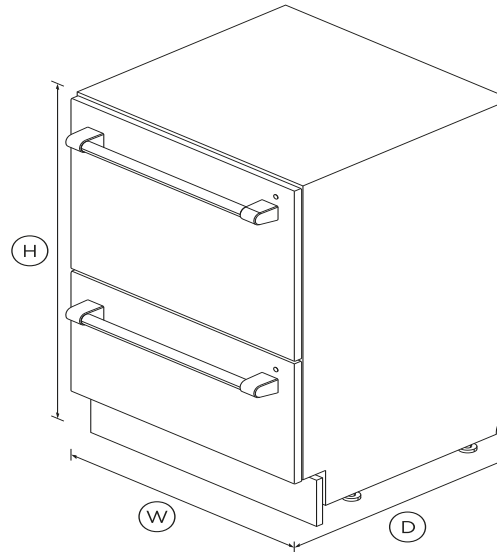


Part of our Professional series, with stainless steel styling and room for your larger dinner plates and dishes.

- Six wash programs, as well as additional Quick wash, Sanitize and Extra Dry options
- Flexible racking can be folded down to fit bigger dishes

## DIMENSIONS

Height	34 - 36 3/8"
Width	23 9/16"
Depth	22 9/16"



## FEATURES & BENEFITS

### EASE OF USE

DishDrawer™ Dishwashers are as easy to open and close as kitchen drawers and can be conveniently positioned at bench height for ease of loading and minimal bending. Flexible racking allows you to make adjustments to fit in a variety of dishes.

### INDEPENDENT WASH

With the ability to use both drawers independently and select different wash programs the DishDrawer™ Dishwasher can wash everything from fine glass and crystal to heavily soiled pots and

pans.

### TRUE HALF LOAD

Each drawer holds a true half load for guilt-free small washes and fast turnaround of your dishes. Both drawers operate independently so different wash cycles can operate simultaneously to accommodate a variety of loads.

### COMPLEMENTARY DESIGN

DishDrawer™ Dishwashers are designed to match the Fisher & Paykel family of kitchen appliances, with matching handles, premium styling and quality materials for a stylish finish in your kitchen.

### QUICK, SANITIZE AND EXTRA DRY OPTIONS

The Quick wash modifier delivers a faster wash while maintaining performance. The Sanitize option provides extra protection killing 99.9% of bacteria in the final rinse. The Extra Dry setting is perfect for plastic dishes.

### QUIET PERFORMER

Running at a very low decibel rating, these DishDrawer™ dishwashers do their job without making a fuss. The combination of intelligent technology and simple mechanics means greater reliability and excellent wash performance.

## SPECIFICATIONS

### Accessories

- Cutlery basket
- Kickstrip
- Knife clip and multipurpose

### Capacity and loading

- |                             |                           |
|-----------------------------|---------------------------|
| Accommodates round plates   | 12.25" (top) 11" (bottom) |
| Adjustable height, foldable | •                         |
| Fold down tines             | •                         |

Pitch adjustable tines	•
Place settings	14

**Consumption**

Energy rating	<b>Energy star</b>
Energy usage	<b>263kWh/year</b>
Water usage (per wash cycle)	<b>3.28 gal running both tubs</b>

**Controls**

Child lock	•
Electronic fault/Diagnostic	•
End of cycle beeps	•
Energy saving delay start	•
Energy saving delay start	•
Internal wash selector	•
One button start	•
Rinse aid indicator light	•
Wi-Fi connectivity	•

**Features**

Fan assisted drying	•
Flood protection	•
Flow through detergent	•
Quiet operation	•
SmartDrive™ technology	•

**Performance**

Noise on gentle cycle top	<b>44dBA</b>
---------------------------	--------------

**Power requirements**

Amperage	<b>9.6A</b>
Electric circuit	<b>3 wire</b>
Rated current	<b>15A</b>
Supply frequency	<b>60Hz</b>
Supply voltage	<b>120V</b>

**Product dimensions**

Depth	<b>22 9/16"</b>
Height	<b>34 - 36 3/8"</b>
Width	<b>23 9/16"</b>

**Warranty**

Parts and labor	<b>Limited 2 years</b>
-----------------	------------------------

**Wash Program Modifiers**

Extra Dry	•
Quick	•
Sanitize	•
Wash modifiers	<b>3</b>

**Wash Programs**

Delicate	•
Eco	•
Fast	•
Heavy	•
Medium	•
Rinse	•
Wash programs	<b>15</b>

**Water connection**

Inlet water temperature	<b>Max 140°F</b>
Supplied hose to suit 3/8"	•
Water pressure	<b>30kPa - 1000 kPa</b>
Water supply	<b>3/8" to suit Male Compression</b>

SKU	82345
-----	-------

The product dimensions and specifications in this page apply to the specific product and model. Under our policy of continuous improvement, these dimensions and specifications may change at any time. You should therefore check with Fisher & Paykel's Customer Care Centre to ensure this page correctly describes the model currently available. ? Fisher & Paykel Appliances Ltd 2020

---

Other product downloads available at [fisherpaykel.com](https://fisherpaykel.com)



Service & Warranty



Energy Label Double DishDrawer



User Guide DishDrawer™



Quick Start Guide DishDrawer™



Energy Label Double DishDrawer



Installation Guide Double DishDrawer™



Installation Guide Double DishDrawer™



Installation Guide Double DishDrawer™



**A PEACE OF MIND SALE**

**24 Hours 7 Days a Week Customer Support**

**T 1.888.936.7872 W [www.fisherpaykel.com](https://www.fisherpaykel.com)**