

5 1/2" Wall Mount Tub Spout with Diverter

SPECIFICATIONS



Features/Benefits

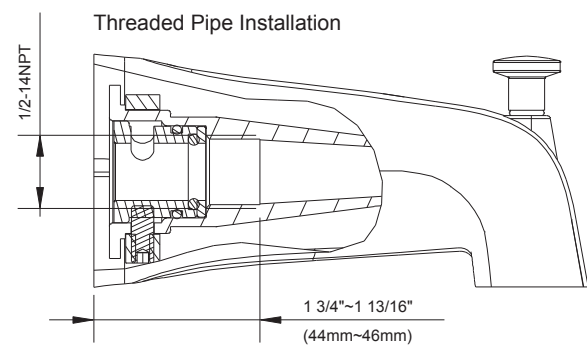
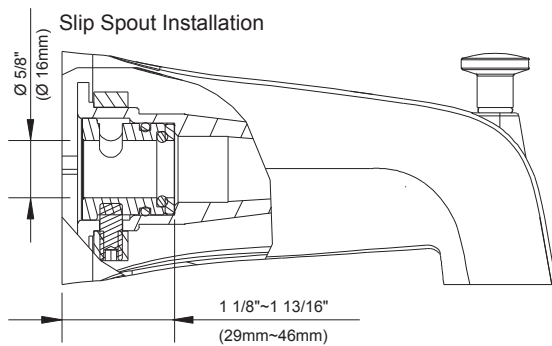
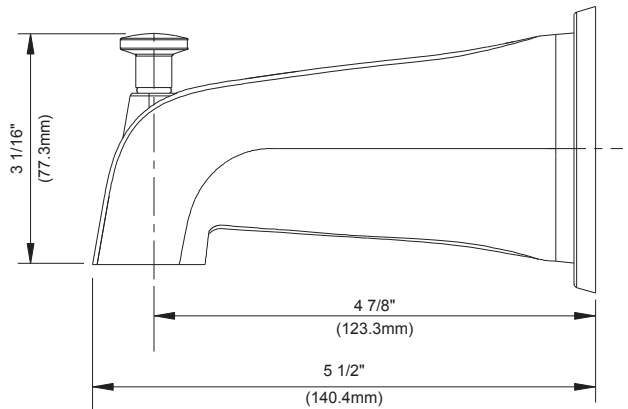
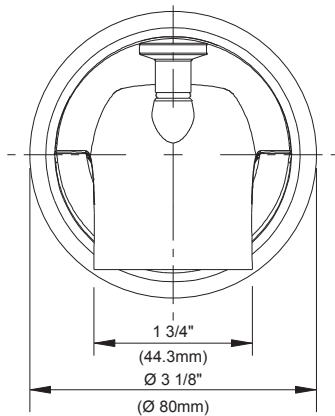
- Fits 1/2" Copper or 1/2" IPS Stub Out Nipple
- Diverter on Tub Spout
- 5 1/2" Spout Length
- All Metal Body

Available Color/Finishes

Color	Description
-------	-------------

	Chrome
---	--------

Please see gerberonline.com or current price list for available finishes. Finish is defined by additional suffix.



Submittal Information:

Name: _____
 Location: _____

Contractor: _____
 Contact #: _____