

Studio Duo Oval

All Hydro Systems Studio Collection bathtubs and whirlpools are backed by our exclusive 5 year limited warranty and include the standard features.

Available Sizes:

66" L x 44" W x 18½" D
60 Gallons

74" L x 44" W x 18¾" D
80 Gallons



Studio Model Feature:

White/Almond/Bone/Natural
 Acrylic/Fiberglass Bathtub
 Integral Wood Base
 6 Jets Adjustable/Directional
 Air Switch
 Silent Air Induction
 Anti-Vortex Safety Suction
 1¼ hp UL Listed Pump, mounted
 Sturdy Cardboard Box

Optional Equipment

Available as Tub only, Thermal Air, Whirlpool

Inline Heater

Waste & Overflow

Polished Chrome
 Polished Brass

System Trim

Polished Chrome
 Polished Brass

Hydro Coat

Hydro Express Quick Ship

Approvals & Listings

Commonwealth of Massachusetts
 UPC & USPC - US & Canada



Electrical Component

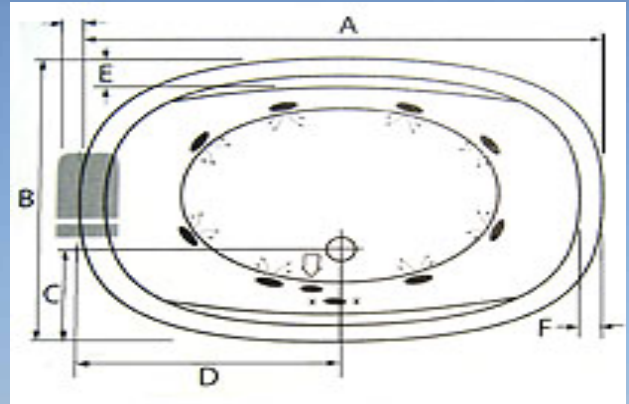
Electrical Requirements





| | |
|--|---------------------------------|
| Whirlpool (1.25 HP Single Speed Pump, 120V) | 1 Dedicated 20 Amp GFCI Circuit |
| Thermal Air (1 HP Blower with 600 Watt Heater) | 1 Dedicated 20 Amp GFCI Circuit |
| Inline Heater | |
| 600 W | Shares Pump Circuit |
| 1500 W | 1 Dedicated 20 Amp GFCI Circuit |

Studio Duo Oval



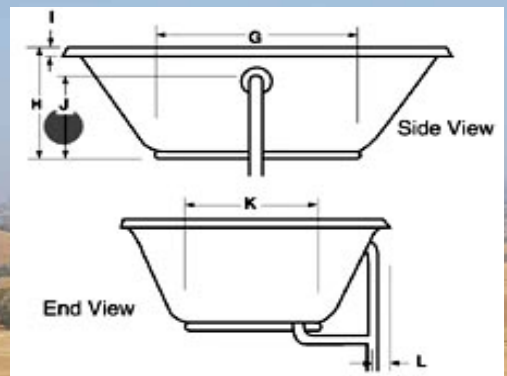
Must be set in Mortar Base



-  Pump motor
-  Jets
-  Anti-vortex suction
-  Overflow location

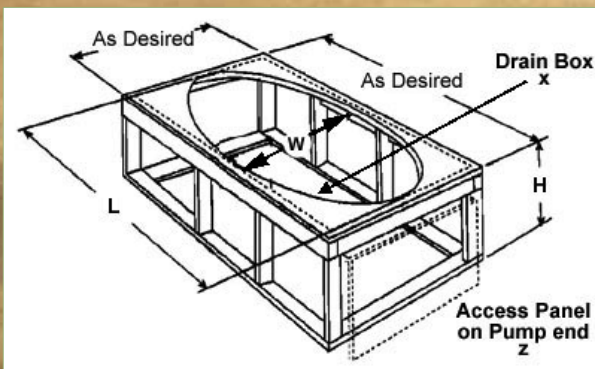
AS SHOWN:
Whirlpool option w/ standard jets

ALSO AVAILABLE:
Soaking Tub Only, Thermal Air,



| Model | GC | AC | A | B | C | D | E | F | G | H | I | J | K | L | Jet | Pump | Wat.Cap. |
|-------|-----|----|------|------|------|------|-----|----|-----|------|-----|------|-----|-----|-----|------|----------|
| 6644 | N/A | √ | 65½" | 43¾" | 12¾" | 32¾" | 4½" | 3" | 36" | 18½" | 1¼" | 16" | 26" | 2¾" | 6 | 1.25 | 60 gal. |
| 7444 | N/A | √ | 74¾" | 44½" | 12¾" | 37¾" | 5" | 3" | 43" | 18¾" | 1¼" | 16¼" | 26" | 2¾" | 6 | 1.25 | 80 gal. |

Framing Dimensions



Island Drop-In

| Model | (L)ength | (W)idth | (H)eight Finish |
|-------|----------|---------|-----------------|
| 6644 | 64" | 42" | 17¾" |
| 7444 | 72" | 42" | 18" |

Disclaimer: Certain options or altering the pump/blower location may cause the pump/blower to extend beyond the tub decking. For cutout dimensions wait for unit to arrive. All specifications subject to change without notice.