

## Walk-In

The Lifestyle 5230 is a tub that allows the therapeutic benefits of a horizontal bathtub to be realized on a vertical format. Add to that the fact that there is no climbing in and out, and the benefits of this tub prove countless.

In the comforts of your own bathroom all the benefits of an outdoor spa, combined with the additional options only a luxury bathtub can afford, are combined into an easy to install tub.

### Available Sizes:

52" L x 30" W x 40" D  
 74 Gallons

60" L x 30" W x 40" D w/extension panel  
 74 Gallons



### Acrylic Tub – construction features

**Finished** in a thick layer of lustrous Gelcoat  
**Pre-wired** pump on pump platform (standard pump location only)  
**Stainless** Steel Integral Frame  
**Non-skid** bottom.

### PVC Systems – include:

**8 Fully** directional adjustable PVC jets  
**Anti-vortex** safety suction.  
*Color matched* system trim  
**HydroOzone** ozone sanitation system  
**Rigid PVC** piping  
**Self draining** pump and system  
**Soft Touch** electronic on/off control with 30-min. integral timer  
**2.25 HP** Single Speed Pump  
**Cable** waste & overflow  
 Grab Bars

### Hydro Systems – Options:

**Available** as Tub only, Thermal Air, Whirlpool or Combo  
**Custom** jet and pump locations  
**Plated** Metallic finish  
**Additional** directional Jets  
**Swirling**, Rotating, or Jumbo Jets  
**Micro** Therapy Jet  
**Integral** Waste & Overflow  
**1.5 HP** Variable Speed Pump (digital temperature display optional)  
**Electronic** low water protection  
**In-line** Heater  
**Chromatherapy-LED** Lighting System  
**Chromatherapy-LED** Mini Spotlights  
**Mood** Light  
**Hydro** Fusion  
**Hydro** Coat

### Approvals & Listings

Commonwealth of Massachusetts  
 UPC & USPC - US & Canada

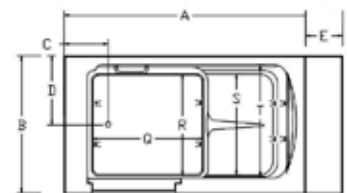
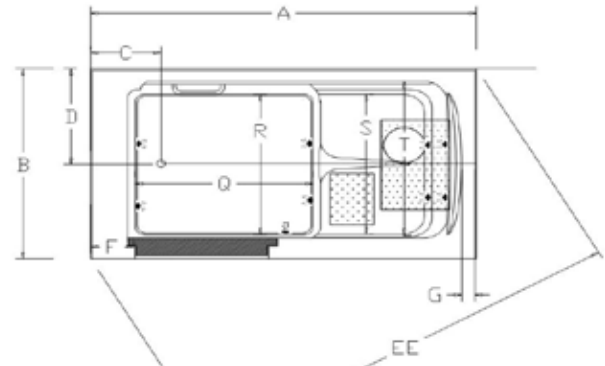







# Walk-In

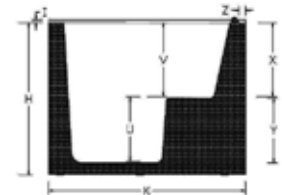
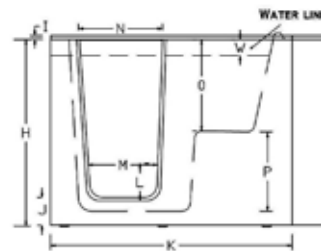


Must be set in Mortar Base

AS SHOWN:  
 Soaking Tub Only  
 ALSO AVAILABLE:  
 Whirlpool option w/ standard jets  
 Thermal Air, Combo jets

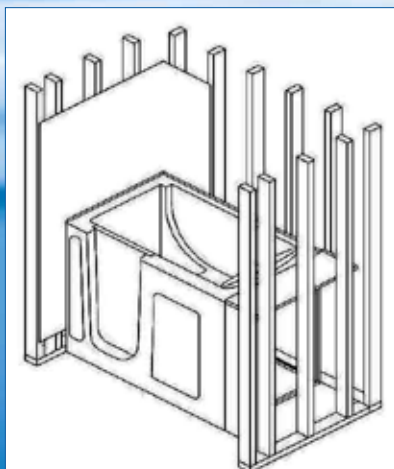


-  Pump motor
-  Jets
-  Anti-vortex suction
-  Overflow location
-  Air controls



Model	GC	AC	A	B	C	D	E	F	G	H	I	J	K	L	M	O	P	Q	R
5230	√	N/A	52"	29¾"	9½"	15"	8"	5¼"	1¾"	40"	¾"	6"	52"	8"	15"	19¾"	17"	24"	22"
			S	T	U	V	W	X	Y	Z	AA	BB	CC	EE	Jets	Pump	Wat.Cap.		
			22"	24½"	17"	19½"	3½"	19½"	17"	1¾"	N/A	N/A	N/A	59¼"	8	2.25	74 gal.		
Amps		Volts		Breaker		Dedicated Service													
13.5		120		20 amps		GFCI Protected													

## Framing Dimension



### 3 Wall Installation

Model 5230	(L)ength	(W)idth	(H)eighth Ledger - Molded Flange
with extension panel	60"	30"	40"
without extension panel	52"	30"	40"

*Disclaimer: Certain options or altering the pump/blower location may cause the pump/blower to extend beyond the tub decking.  
 For cutout dimensions wait for unit to arrive. All specifications subject to change without notice.*