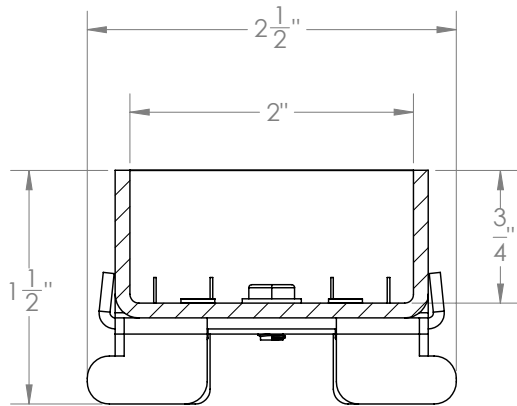


TA 65 Specifications

ID Infinity Drain



TA 65:

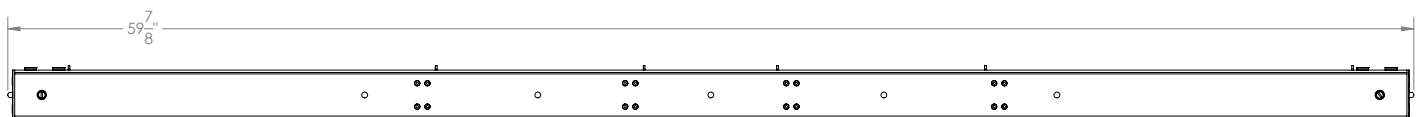
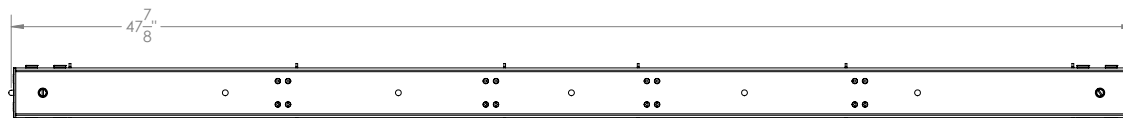
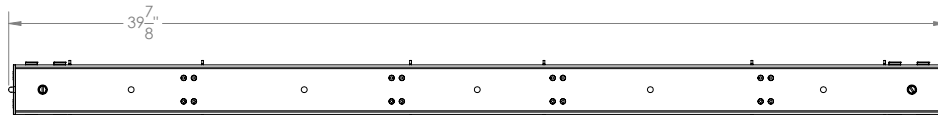
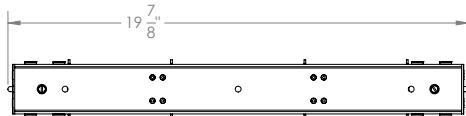
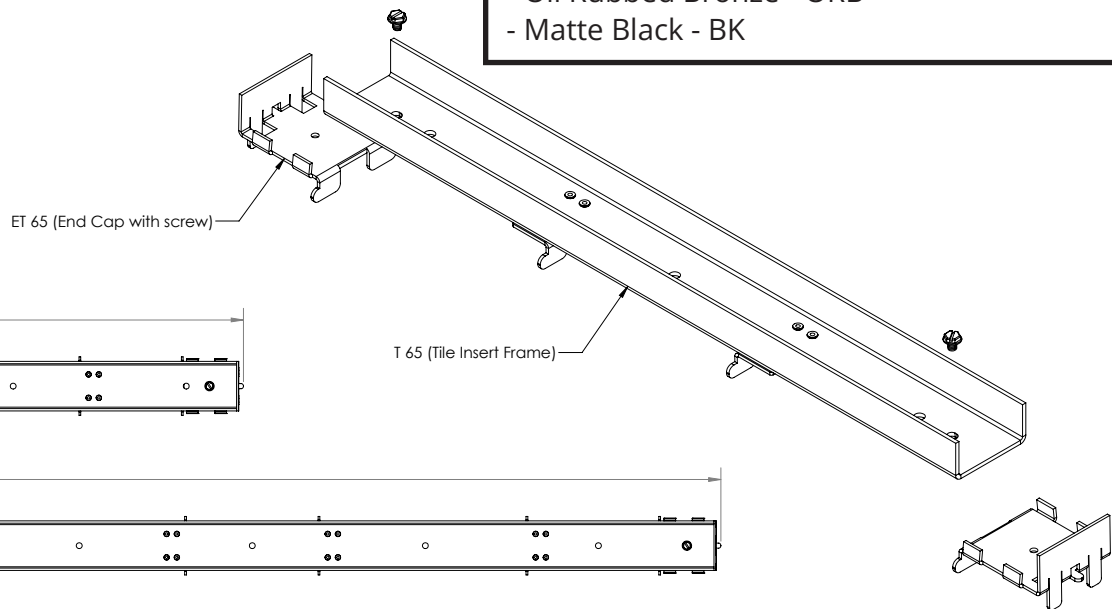
- Tile Insert Frame Assembly for S-TIF 65, S-TIFAS 65, FXTIF 65
- 12 gauge, 304L stainless steel
- Accepts flooring material up to 3/4" in thickness
- Includes:
 - 1 - **T 65** Open Ended Frame
 - 2 - **ET 65** Frame End Caps with screws

Models (overall dimensions):

- TA 6520: 19 7/8" L x 2 1/2" W x 1 1/2" H
- TA 6540: 39 7/8" L x 2 1/2" W x 1 1/2" H
- TA 6548: 47 7/8" L x 2 1/2" W x 1 1/2" H
- TA 6560: 59 7/8" L x 2 1/2" W x 1 1/2" H

Finishes:

- Satin Stainless - SS
- Polished Stainless - PS
- Satin Bronze - SB
- Oil Rubbed Bronze - ORB
- Matte Black - BK



Infinity Drain
 145 Dixon Avenue
 Amityville, NY 11701
 Phone: 516.767.6786
 Fax: 516.740.3066
 www.infinitydrain.com



NOTE: Installer must verify all rough-in dimensions prior to installation and consult local and national codes. Conformity and compliance to local and national codes are the responsibility of the installer.