

## Toe Control Tub Drain Strainer

**Model #: 529-**

### FEATURES:

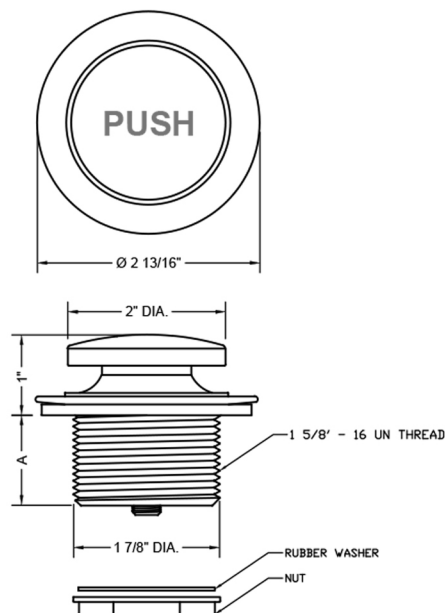
- Push down to open or close bath tub drain
- Forged brass cap (2" diameter)
- Brass body
- Spring loaded internal mechanism for easy use
- 1½ Coarse threads
- Fits Gerber, JACLO and most other manufacturers



### AVAILABLE FINISHES:

Polished Chrome (PCH)	Satin Chrome (SC)	Bronze Umber (BU)
Satin Nickel (SN)	Pewter (PEW)	Caramel Bronze (CB)
Polished Nickel (PN)	Antique Brass (AB)	Antique Copper (ACU)
Oil-Rubbed Bronze (ORB)	Polished Brass (PB)	Polished Copper (PCU)
Vintage Bronze (VB)	Satin Brass (SB)	Rose Gold (RG)
Matte Black (MBK)	Satin Gold (SG)	Polished Gold (PG)
Black Nickel (BKN)	Bombay Gold (BG)	Jewelers Gold (JG)
Europa Bronze (EB)	White (WH)	Sedona Beige (SDB)
Tristan Brass (TB)	Unlacquered Brass (ULB)	Satin Cooper (SCU)

### SPECIFICATION DRAWING:



BRASS TO-CONTROL DRAIN STRAINER		
PART. #	DESCRIPTION	A
529-	TOE-CONTROL DRAIN STRAINER	1 1/8"
529-75-	TOE-CONTROL DRAIN STRAINER	3"
529-100-	TOE-CONTROL DRAIN STRAINER	4"
529-125-	TOE-CONTROL DRAIN STRAINER	5"