

8" Round Rain Machine-2.0 GPM

Model #: S208-2.0-

FEATURES:

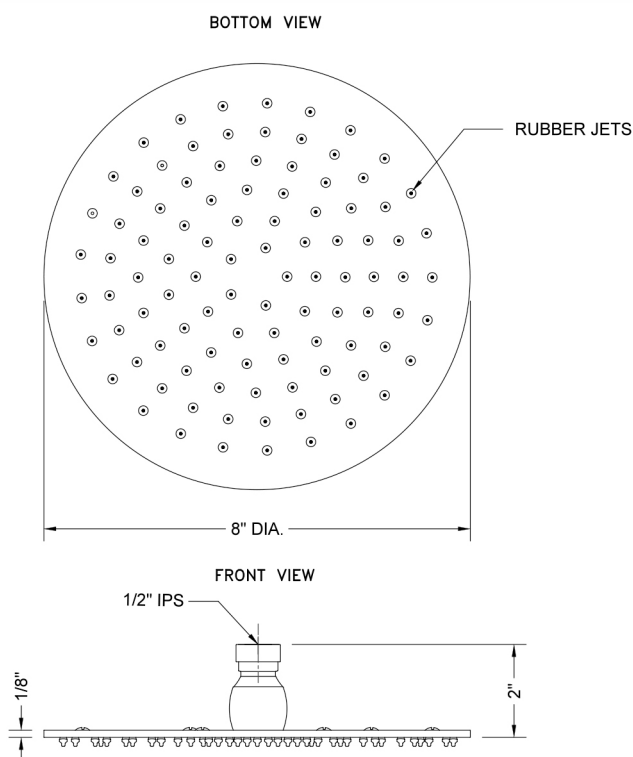
- A POWER SHOWER - the technology of the Rain Machine® allows for a strong rain spray at any angle
- 1/2" IPS adjustable brass ball joint to adjust angle of showerhead
- 8" diameter all brass body with 95 easy clean rubber jets
- Available flow rates: 2.5, 2.0, 1.75, & 1.5 GPM



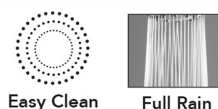
AVAILABLE FINISHES:

Polished Chrome (PCH)	Satin Chrome (SC)	Bronze Umber (BU)
Satin Nickel (SN)	Pewter (PEW)	Caramel Bronze (CB)
Polished Nickel (PN)	Antique Brass (AB)	Antique Copper (ACU)
Oil-Rubbed Bronze (ORB)	Polished Brass (PB)	Polished Copper (PCU)
Vintage Bronze (VB)	Satin Brass (SB)	Rose Gold (RG)
Matte Black (MBK)	Satin Gold (SG)	Polished Gold (PG)
Black Nickel (BKN)	Bombay Gold (BG)	Jewelers Gold (JG)
Europa Bronze (EB)	White (WH)	Sedona Beige (SDB)
Tristan Brass (TB)	Unlacquered Brass (ULB)	Satin Cooper (SCU)

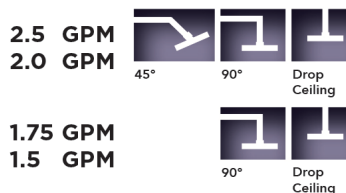
SPECIFICATION DRAWING:



SPRAY PATTERNS:



ANGLES AND FLOW RATES:



COMPLIANCES:

CEC

Complies with: ASME A112.18.1-2012/CSA B125.1-12