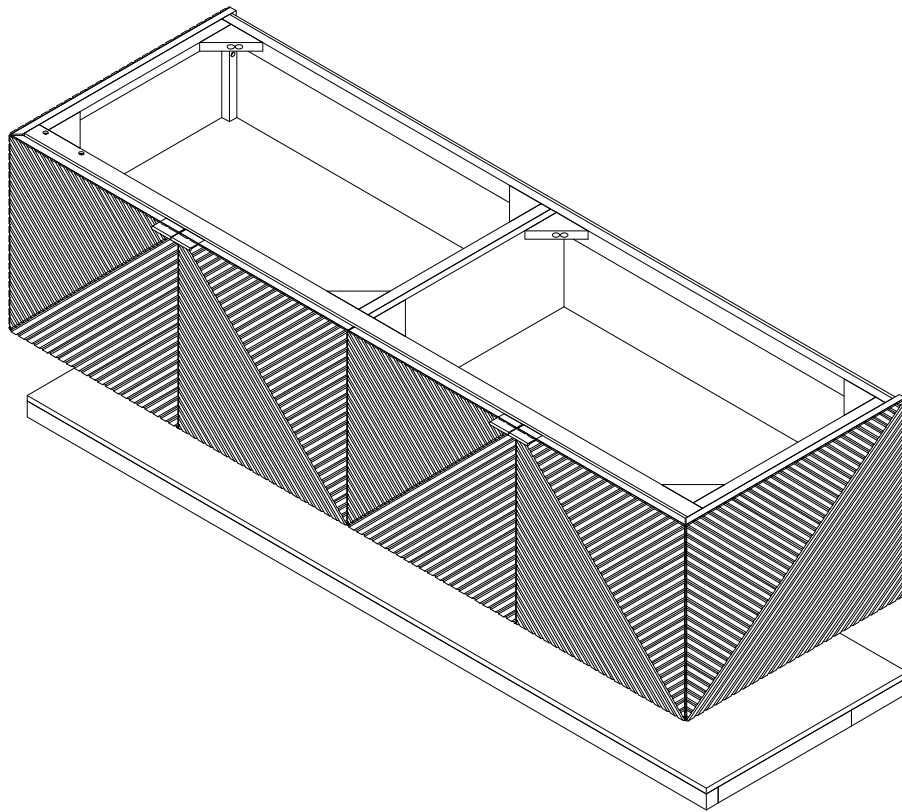


MARCELLO 72IN DOUBLE WALL MOUNT VANITY - CHESTNUT, D200-V72-CSN
ASSEMBLY INSTRUCTION



Thank you for choosing this quality product. Be sure to check all packaging materials carefully for small parts that may have loosened inside the carton during shipment and place on a non-abrasive surface.

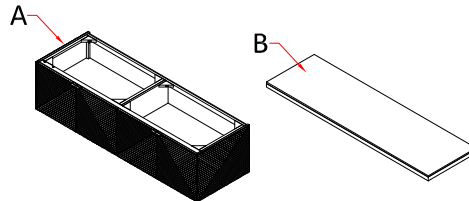
IMPORTANT STEPS BEFORE YOU BEGIN :

- For your safety and to achieve the best possible results, James Martin Vanities recommends you consult with a professional contractor.
- These parts can be cumbersome and heavy for some people, therefore the assistance of two or more people is recommended in order to prevent personal injury and ensure the product is not damaged during the assembly process.
- Ensure the vanity cabinet is in place and has been properly installed to meet plumbing codes.
- Shut off the water supply. Water supply and drain access must be in place prior to installing the counter top and sink.
- Ensure the vanity cabinet is level.

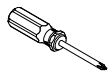
MARCELLO 72IN DOUBLE WALL MOUNT VANITY - CHESTNUT, D200-V72-CSN
ASSEMBLY INSTRUCTION

PART LIST

- A. [1] VANITY CABINET
- B. [1] SHELF



TOOLS NEEDED



Screwdriver
(Not provided)



Drill
(Not provided)



Level
(Not provided)



Tape Measure
(Not provided)



Pencil
(Not provided)



Stud Finder
(Not provided)

HARDWARE LIST

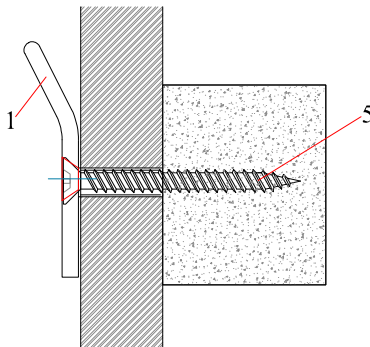
NO.	SKETCH	DESCRIPTION	SPECIFICATION	QTY.
1		French Cleat	L 63"	2 pcs.
2		Hanger Frame	55 ²⁹ / ₃₂ " x 14 ¹ / ₆₄ " x 1 ³⁷ / ₆₄ "	1 pc.
3		Hollow Wall Anchor	5/16" x 1 ³ / ₁₆ "	28 pcs.

NO.	SKETCH	DESCRIPTION	SPECIFICATION	QTY.
4		Plastic Anchor	Ø 9/16" x Ø 2 ³ / ₆₄ " x 5/64"	28 pcs.
5		Round-head Screw	5/32" x 1 ³⁷ / ₆₄ "	28 pcs.

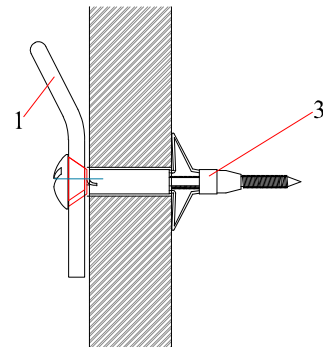
ASSEMBLY INSTRUCTIONS BY WALL TYPE

- DRYWALL WITH STUDS: Use screws to affix to studs, and use hollow wall anchors and screws to affix to drywall .
- DRYWALL WITHOUT STUDS: Drill pilot hole on each marking and then insert plastic anchor, Tighten the screws into the anchors while maintaining constant pressure on the anchor to set, Remove screws, Hold metal bracket over the inserted anchors and reinstall screws through the wall bracket holes and tighten until snug against wall.

DRY WALL WITH STUDS



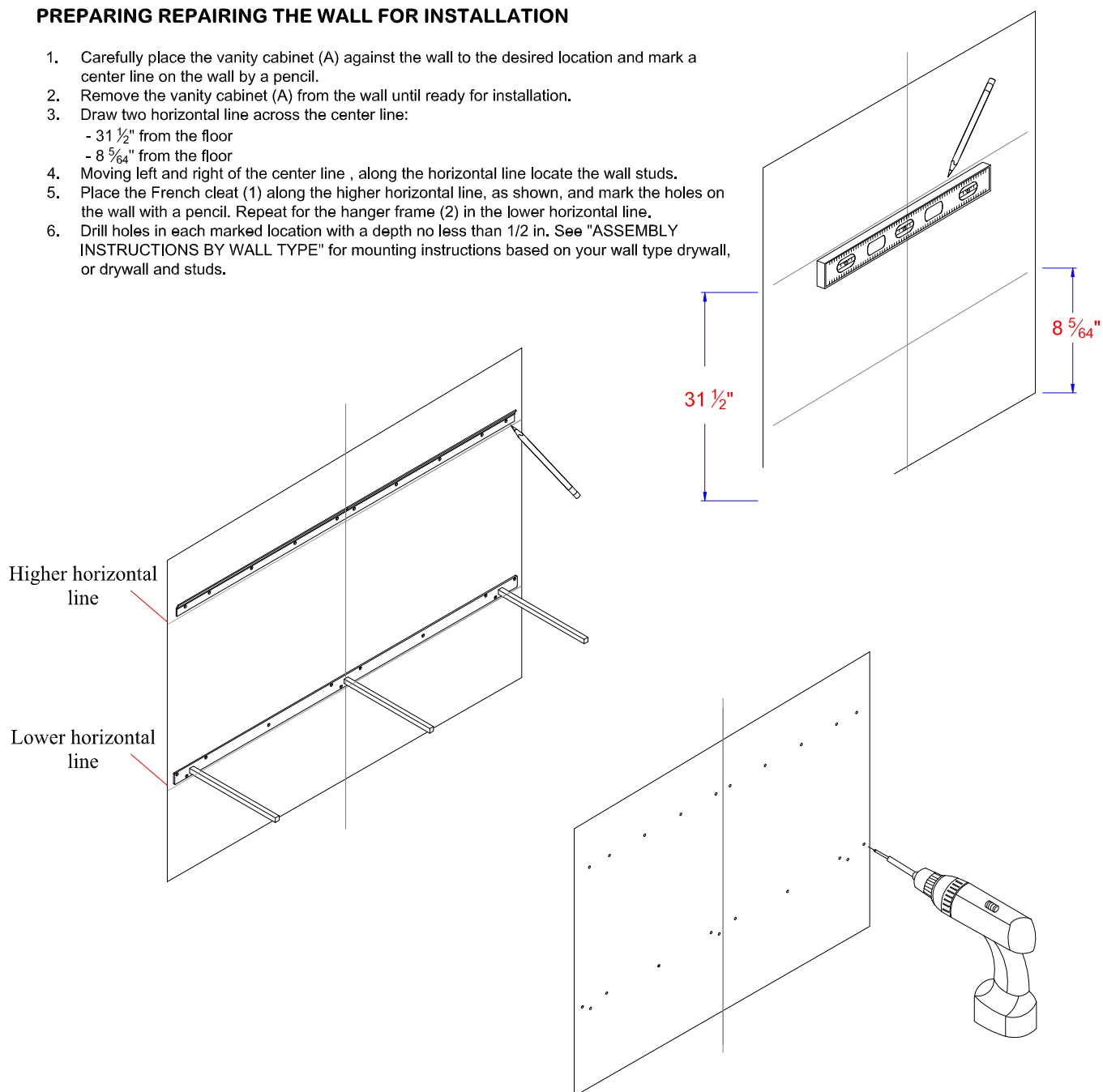
DRY WALL WITHOUT STUDS



MARCELLO 72IN DOUBLE WALL MOUNT VANITY - CHESTNUT, D200-V72-CSN ASSEMBLY INSTRUCTION

PREPARING REPAIRING THE WALL FOR INSTALLATION

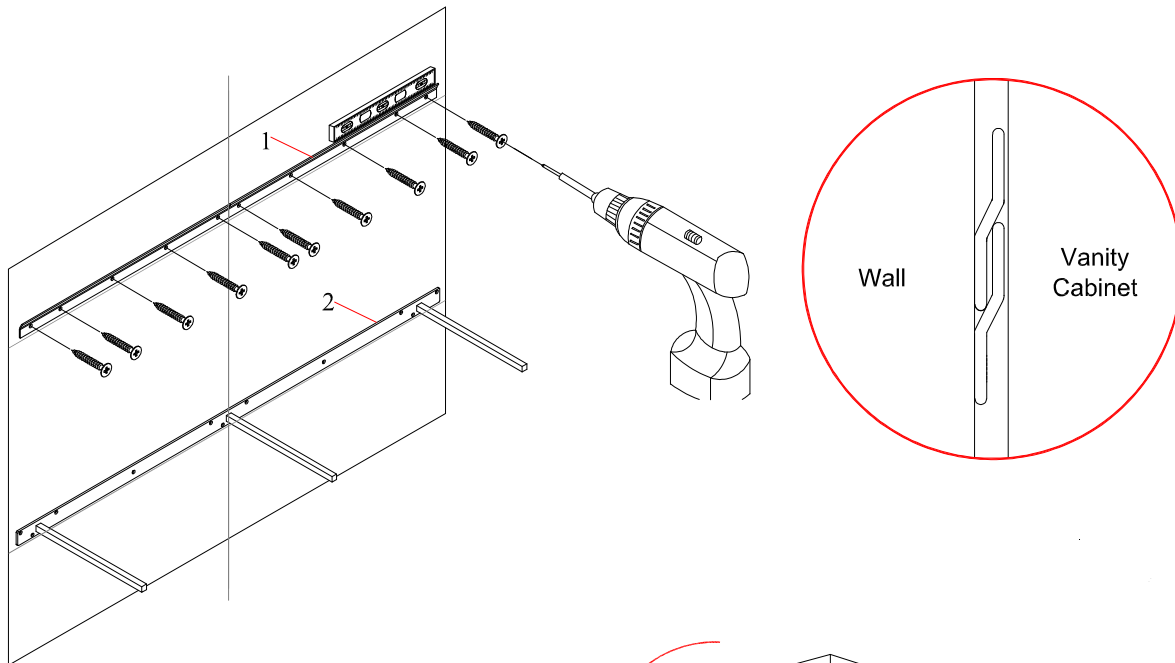
1. Carefully place the vanity cabinet (A) against the wall to the desired location and mark a center line on the wall by a pencil.
2. Remove the vanity cabinet (A) from the wall until ready for installation.
3. Draw two horizontal line across the center line:
 - $31\frac{1}{2}$ " from the floor
 - $8\frac{5}{64}$ " from the floor
4. Moving left and right of the center line, along the horizontal line locate the wall studs.
5. Place the French cleat (1) along the higher horizontal line, as shown, and mark the holes on the wall with a pencil. Repeat for the hanger frame (2) in the lower horizontal line.
6. Drill holes in each marked location with a depth no less than $\frac{1}{2}$ in. See "ASSEMBLY INSTRUCTIONS BY WALL TYPE" for mounting instructions based on your wall type drywall, or drywall and studs.



MARCELLO 72IN DOUBLE WALL MOUNT VANITY - CHESTNUT, D200-V72-CSN ASSEMBLY INSTRUCTION

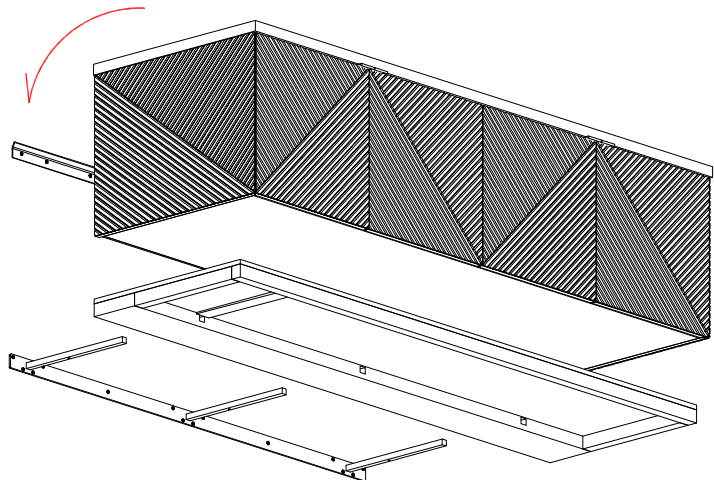
INSTALLING THE FRENCH CLEAT AND SHELF BRACKET

1. Attach French cleat (1) to the wall using the pre-marked location on the higher horizontal line and in accordance with the proper wall type for each hole. Ensure that the straight edge of the cleat is along the marked line as shown.
2. Attach the Shelf Hanger in the same manner along the lower horizontal line.



INSTALLING VANITY AND SHELF

1. Using at least two people, carefully lift the vanity cabinet (A) so the French cleat on the back of the vanity slides over and rests on the French cleat on the wall.
2. Slide the shelf (B) onto the hanger frame (2).



CARE INSTRUCTIONS

1. Dust often using a clean, soft, dry and lint-free cloth.
2. Blot spills immediately and wipe with a clean, damp, cloth.
3. We do not recommend the use of chemical cleansers, abrasives or furniture polish on our lacquered finish. Product can be cleaned using a damp cloth soaked in warm soapy water followed by wiping clean with a dry lint-free cloth.