



ASSEMBLY / INSTALLATIONS INSTRUCTIONS :

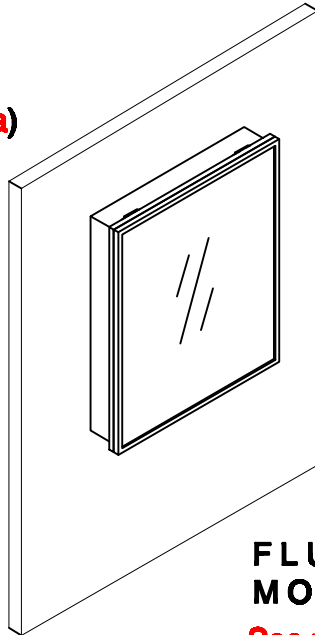
Lakeside Series 25 inch Storage Mirror (Medicine Cabinet Mirror) in Mid Century Walnut

Item Number: 410-M25-WLT

Installation Options: There are three ways to install this mirror.

1. Hooked over the upper towel bar of the Lakeside 30 inch Vanity (410-V30-WLT)/(image c) see pages 02-03
2. Flush Surface mount against the wall. (image a) see pages 04-05
3. **SPECIAL*** Recessed mount into the wall. (image b) see pages 06-07

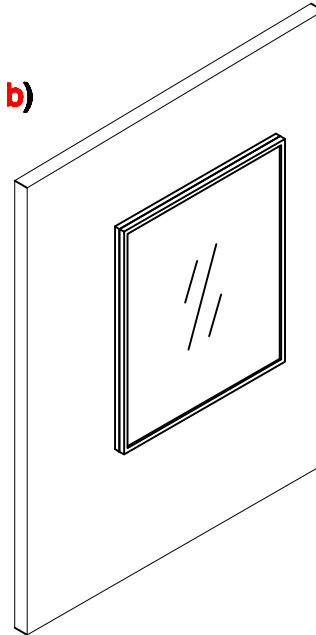
(image a)



FLUSH/SURFACE MOUNT

See pages 02-03

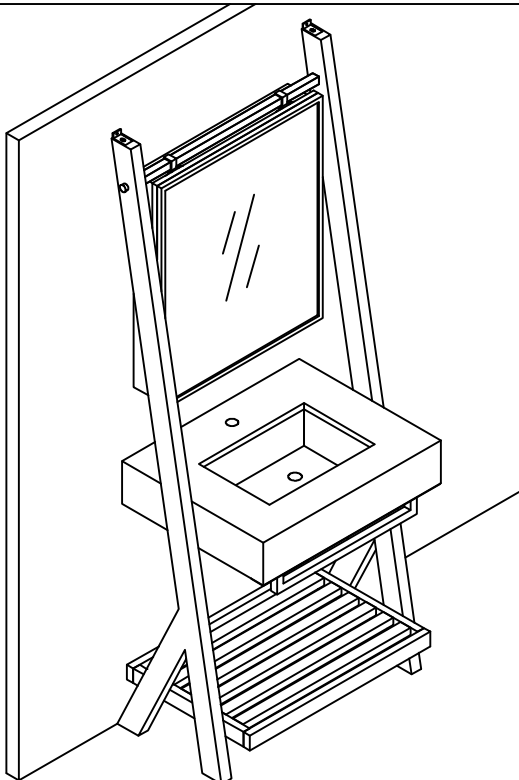
(image b)



RECESSED MOUNT

See pages 04-07

(image c)



WITH LADESIDE VANITY

See pages 01

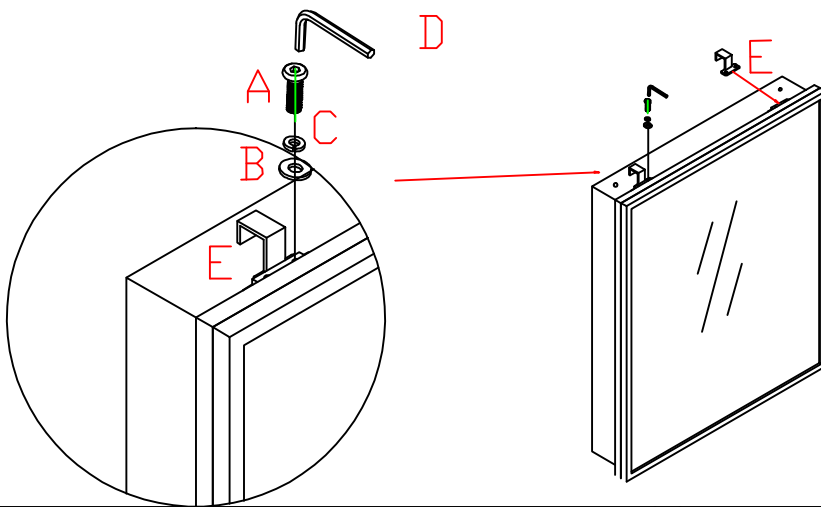
***Recessed** mirror installation involves cutting into the wall and modifying wood studs. Please consult a professional contractor for these installations.





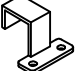

ASSEMBLY / INSTALLATIONS INSTRUCTIONS :
Lakeside Series 25 inch Storage Mirror (Medicine Cabinet Mirror) in Mid Century Walnut
Item Number: 410-M25-WLT
Installation Options: This page is for installation option 1.

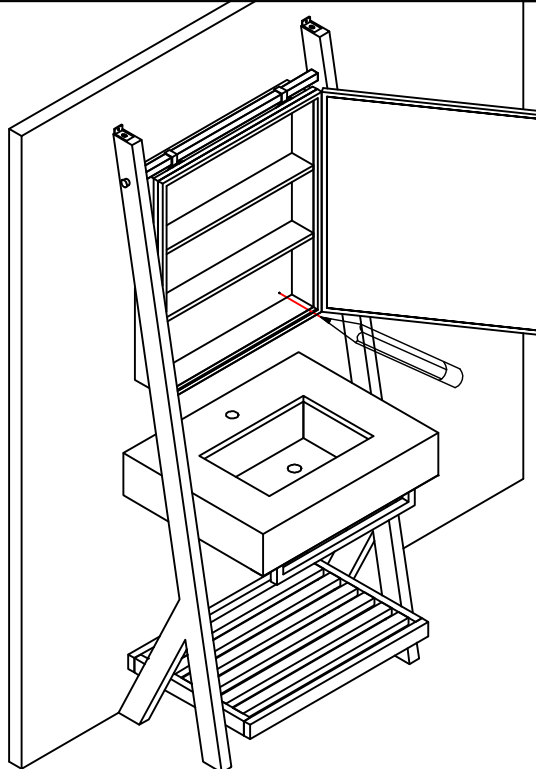
1. Hooked over the upper towel bar of the Lakeside 30 inch Vanity (410-V30-WLT)

Step 1 notes: Attached the metal brackets (E) to the top of the mirror on the left and right sides. Locate the pre-drilled holes on the top of the mirror and inserts the bolts (A) through the spring washers (C) and the flat washers (B) into these pre-drilled holes. Tighten with the allen wrench (D).

Note 1: The hardware for the these brackets is located inside a specially marked red color bag, labeled Hardware



A=4PCS	ø1/4*5/16	
B=4PCS	ø1/4*5/8	
C=4PCS	ø1/4	
D=1PC	ø4	
E=2PC		



Step 2 notes: Determine the vanity placement location on your wall and move the vanity to the position, hang the mirror on the upper towel bar of 410-V30-WLT vanity console.

Step 3 notes: Mark the positions with a pencil through the pre-drilled holes on the back of the mirror.

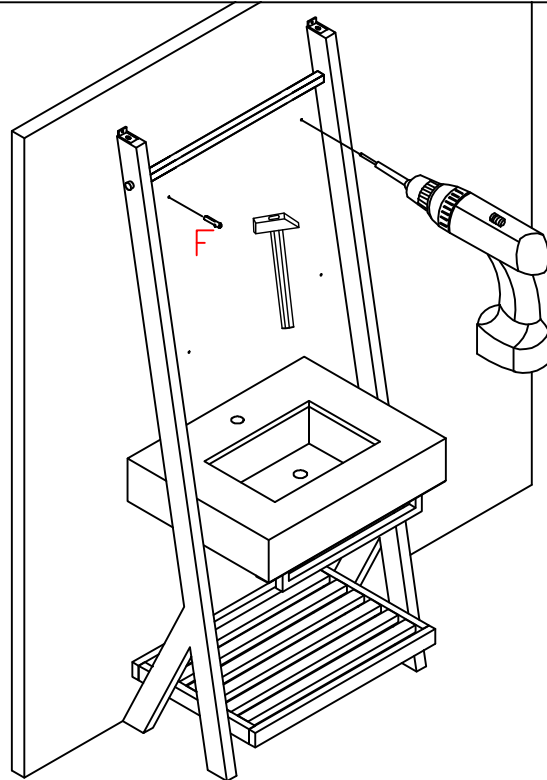


ASSEMBLY / INSTALLATIONS INSTRUCTIONS :

Lakeside Series 25 inch Storage Mirror (Medicine Cabinet Mirror) in Mid Century Walnut

Item Number: 410-M25-WLT

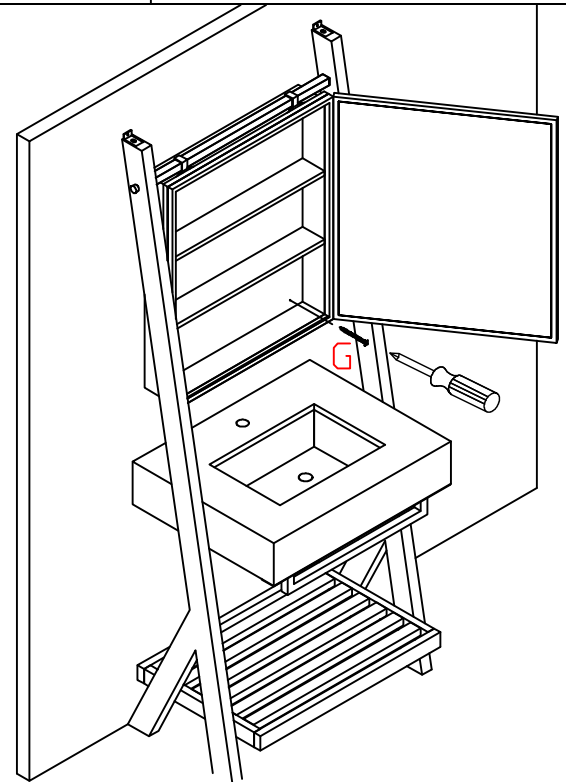
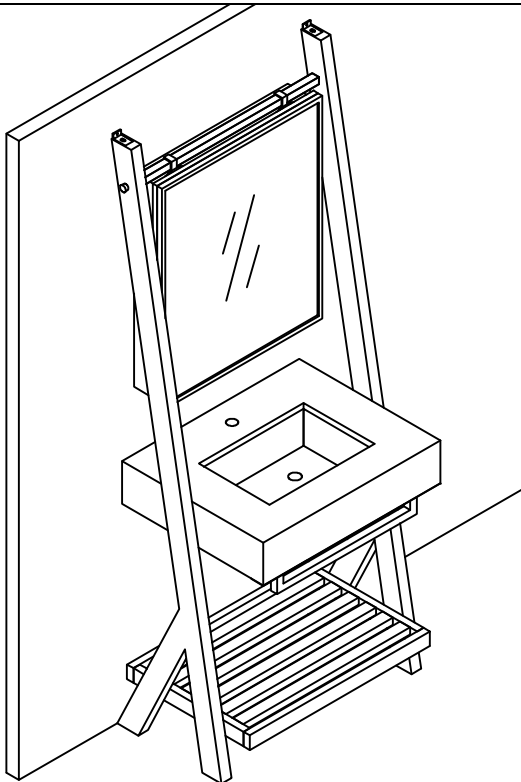
Step 4 notes : Remove the mirror and drill holes for the screws in the positions you have marked with the pencil.
Do not drill the holes deeper than 1 1/2".
Insert hardware **F** (drywall anchors) to the holes by using hammer if wall studs are not in the correct positions.



F = 4 pcs drywall anchors



G = 4 pcs 1 1/4" long screws



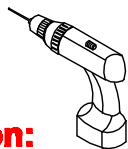
Step 5 notes: Hang the mirror on the upper towel bar of the 410-V30 vanity console once again. Secure the cabinet to the wall using (screws) G for wall studs.



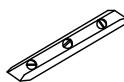
ASSEMBLY / INSTALLATIONS INSTRUCTIONS :

Lakeside Series 25 inch Storage Mirror (Medicine Cabinet Mirror) in Mid Century Walnut

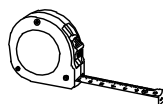
Item Number: 410-M25-WLT

Installation Options: This page is for installation option 2.**2. Flush Surface mount against the wall.****Materials for Installation:**

Drill



Level



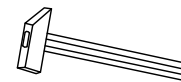
Tape Measuring



Pencil



Stud Finder



Hammer

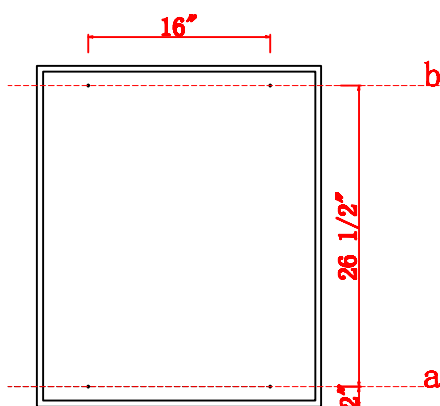
For your safety and to achieve the best possible installation of this mirror, James Martin Vanities always recommends you consult with a professional contractor. Two people are required for the assembly and installation of this mirror.

Step 1: Determine the mirror placement location on your wall and mark the center line with a pencil.

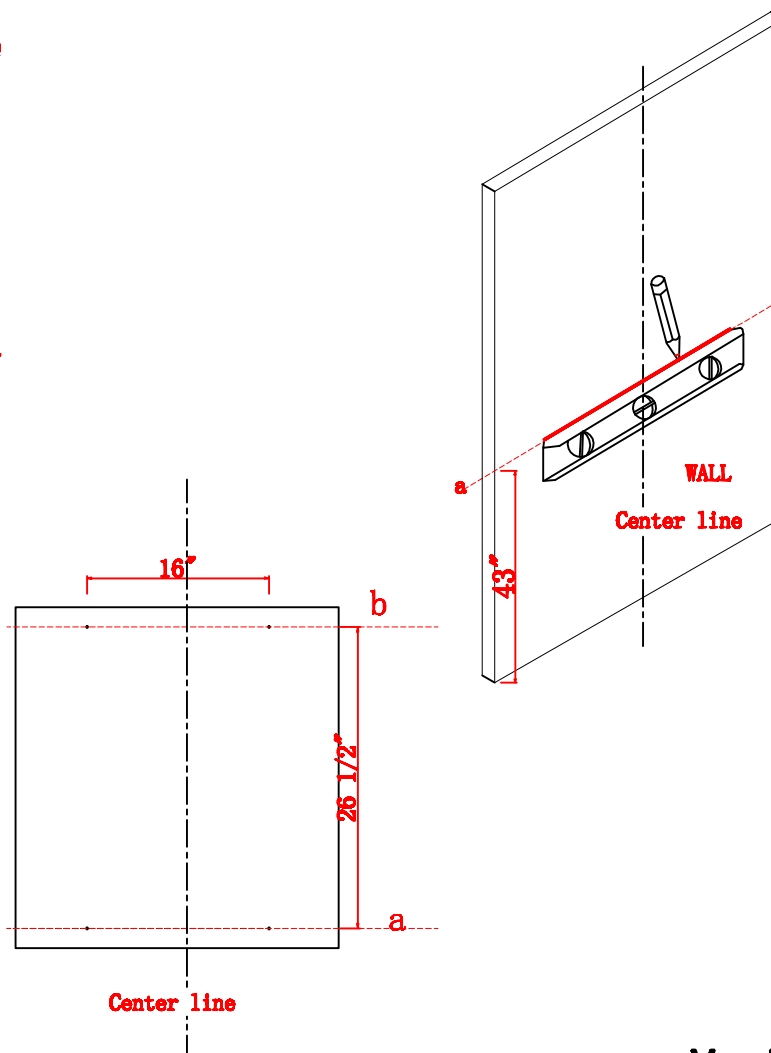
Note 1: Please refer image d. This image shows the distances between the pre-drilled holes on the inside of the cabinet.

Step 2: After you have determined the height from the floor to the bottom of the mirror (the suggestion height is 43"), draw a horizontal line for position a.

Next, draw a horizontal line 26 1/2 inches higher than position a, this higher line is position b.



(image d)

**Step 3 notes:**

Draw points on the lines you marked for position a and position b.

Note 3:

These points need to match the locations of the pre-drilled holes on the back of the mirror



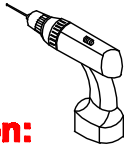
ASSEMBLY / INSTALLATIONS INSTRUCTIONS :

Lakeside Series 25 inch Storage Mirror (Medicine Cabinet Mirror) in Mid Century Walnut

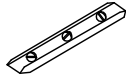
Item Number: 410-M25-WLT

Installation Options: This page is for installation option 2.
2. Flush Surface mount against the wall.

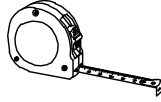
Materials for Installation:



Drill



Level



Tape Measuring



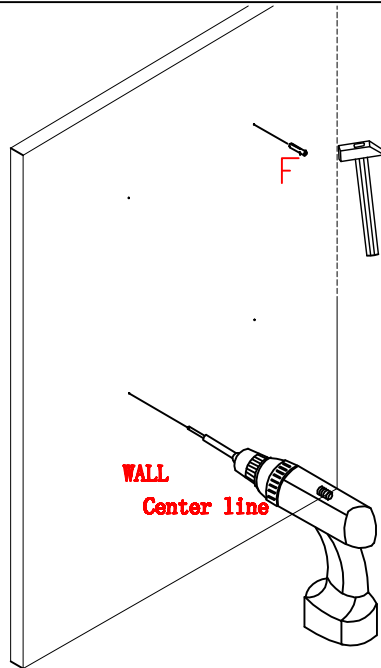
Pencil



Stud Finder



Hammer



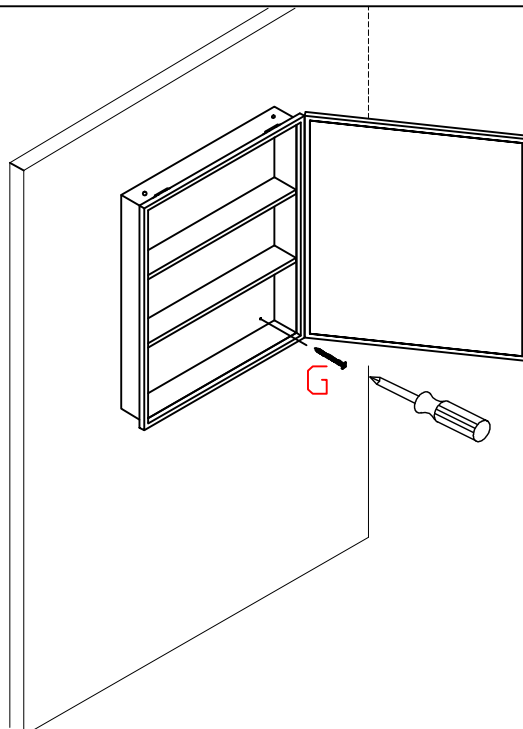
Step 4 notes:

Drill holes for the screws in the positions you have marked with the pencil. Do not drill the holes deeper than 1 1/2". insert hardware **F** (drywall anchors) to the holes by using hammer if wall studs are not in the correct positions.

F=4 pcs drywall anchors



G = 4 pcs 1 1/4" long screws



Step 5 notes:

Secure the cabinet mirror to the wall using (screws) **G** for wall studs.



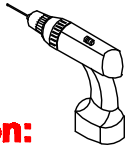
ASSEMBLY / INSTALLATIONS INSTRUCTIONS :

Lakeside Series 25 inch Storage Mirror (Medicine Cabinet Mirror) in Mid Century Walnut

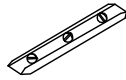
Item Number: 410-M25-WLT

Installation Options: This page is for installation option 3.
2. Recessed mount into the wall.

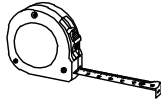
Materials for Installation:



Drill



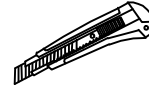
Level



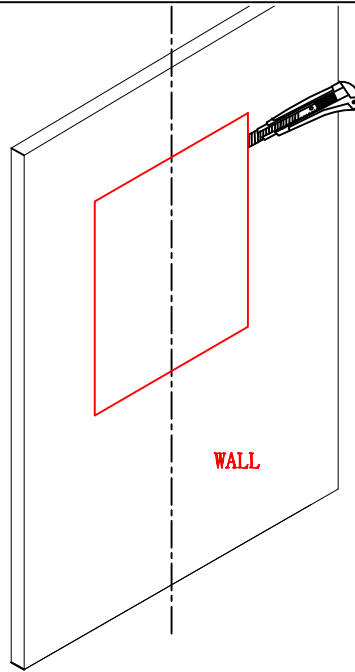
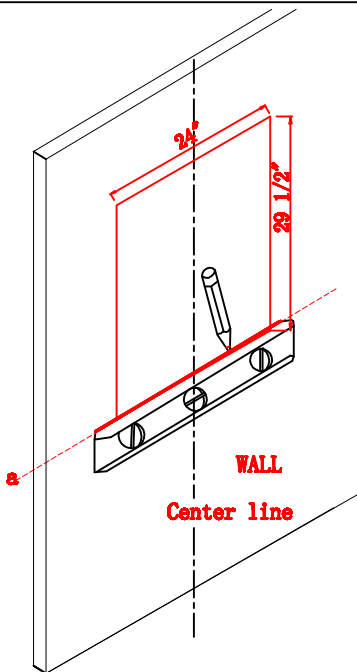
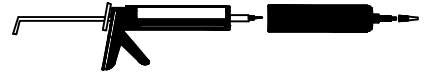
Tape Measuring



Pencil



utility knife

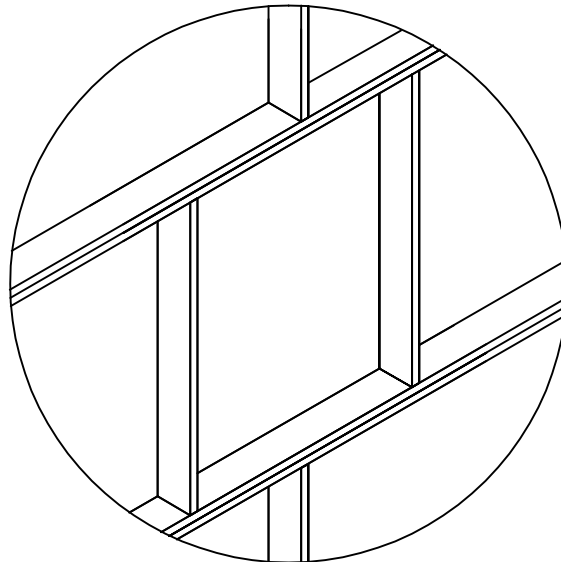


Step 1 notes: Determine the medicine cabinet mirror placement location on your wall and mark the center line with a pencil.

Step 2 notes: Please draw a rectangle area 24" x 29 1/2" based on the center line

Step 3 notes: Cut out the area with a utility knife or reciprocating saw and remove the drywall.

Step 4 notes: When the space has been cleared of all obstructions, firmly attach horizontal 2 x 4 blocking to the vertical wall studs with wood screws to create the framing for your Medicine Cabinet. Make sure the drywall is secured to the edge of the wall studs, inserting screws as necessary.



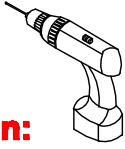
ASSEMBLY / INSTALLATIONS INSTRUCTIONS :

Lakeside Series 25 inch Storage Mirror (Medicine Cabinet Mirror) in Mid Century Walnut

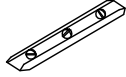
Item Number: 410-M25-WLT

Installation Options: This page is for installation option 3.
2. Recessed mount into the wall.

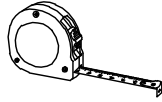
Materials for Installation:



Drill



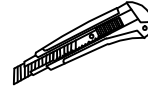
Level



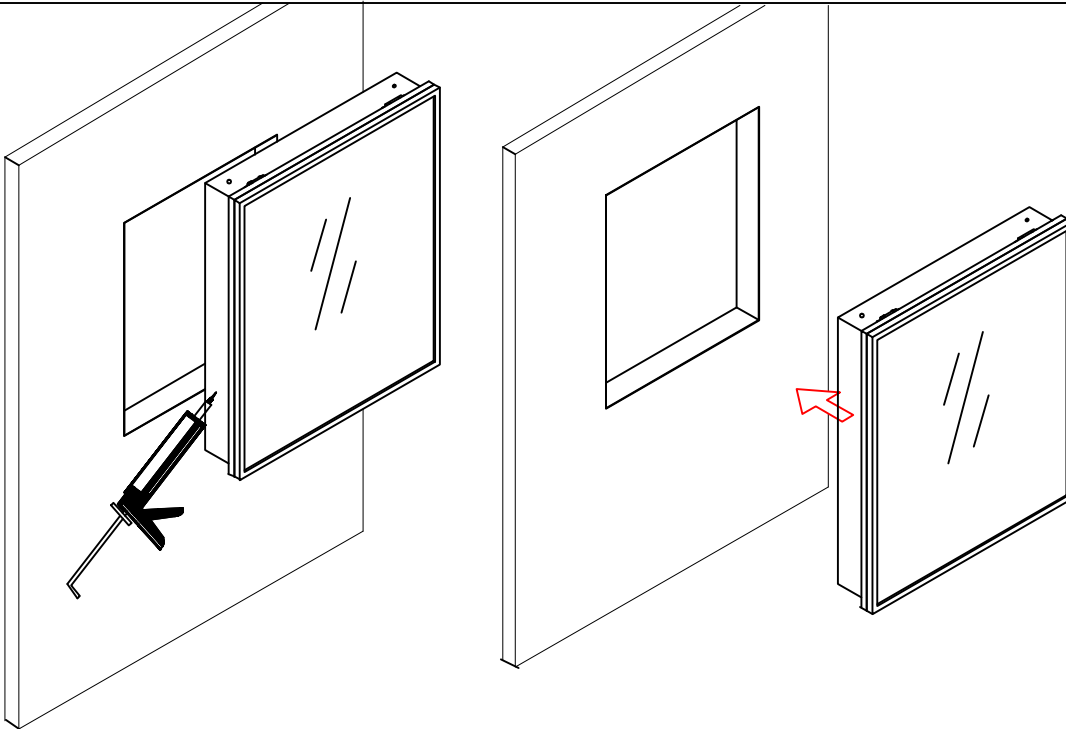
Tape Measuring



Pencil

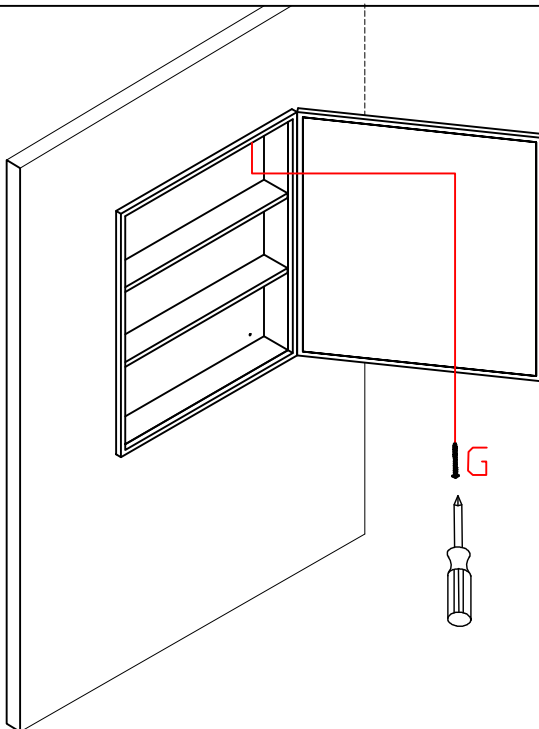


utility knife



Step 5 notes: Put the high quality adhesive around the medicine cabinet mirror.

Step 6 notes: Slide the medicine cabinet mirror into place. Verify the mirror is level, use shims to adjust as necessary



G = 2 pcs 1 1/4" long screws

Step 7 notes: When the cabinet mirror is in the proper position, Secure the cabinet to the wall using (screws) **G** for wall studs through the holes pre-drilled on the top of the medicine cabinet mirror.