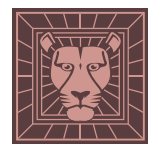


19 5/8"

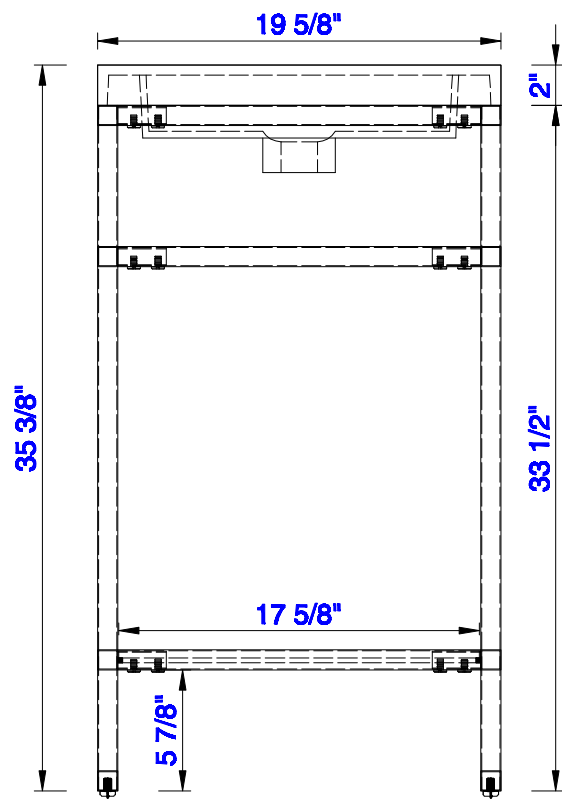
Item Number:
C105-V20-BNK
C105-V20-RGD
C105-V20-MBK

JAMES MARTIN



VANITIES™

Boston 19 5/8" Stainless Steel Sink Console
Diagrams with Dimensions
page 01 of 03



NOTE ONE: Countertop with integrated sink is shown on this cabinet
NOTE TWO: This vanity does not have a Backsplash.

Version:202004

19 5/8"

Item Number:
C105-V20-BNK
C105-V20-RGD
C105-V20-MBK

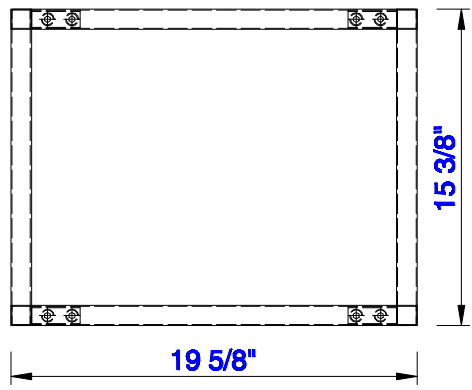
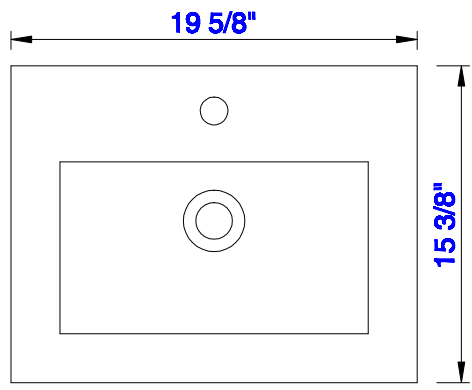
JAMES MARTIN



VANITIES™

Boston 19 5/8" Stainless Steel Sink Console

Diagrams with Dimensions
page 02 of 03



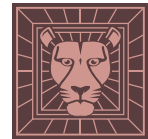
NOTE ONE: Countertop with integrated sink is shown on this cabinet.

Version:202004

19 5/8"

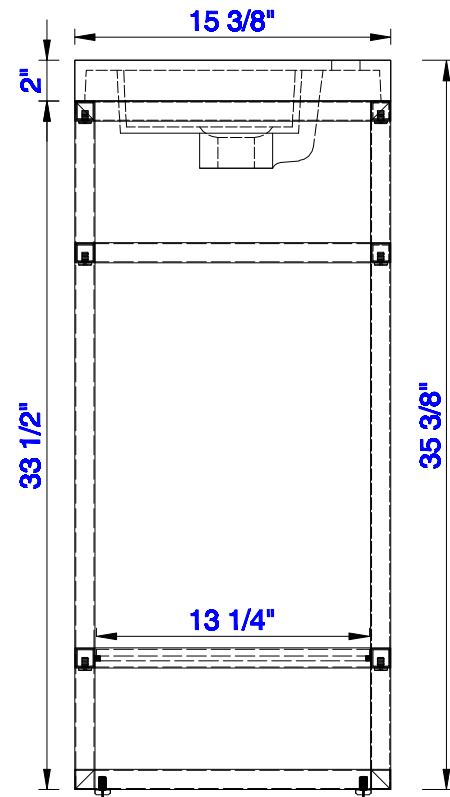
Item Number:
C105-V20-BNK
C105-V20-RGD
C105-V20-MBK

JAMES MARTIN



VANITIES™

Boston 19 5/8" Stainless Steel Sink Console
Diagrams with Dimensions
page 03 of 03



NOTE ONE: Countertop with integrated sink is shown on this cabinet
NOTE TWO: This vanity does not have a Backsplash.

Version:202004

500mm

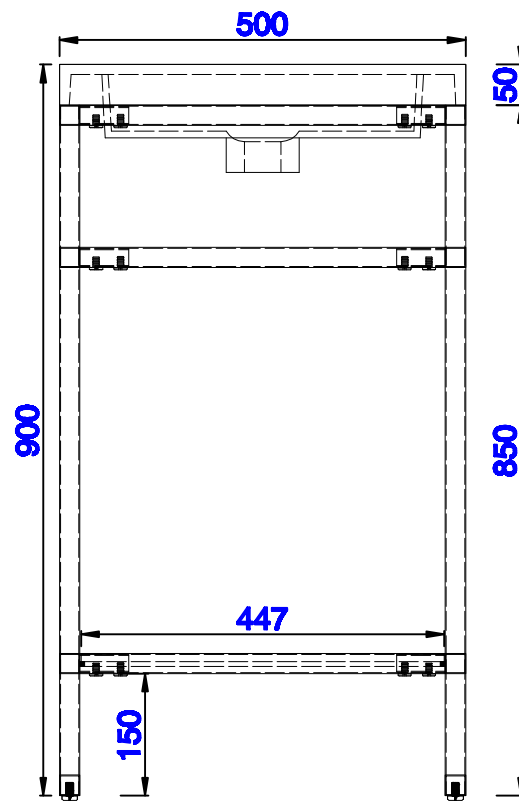
Item Number:
C105-V20-BNK
C105-V20-RGD
C105-V20-MBK

JAMES MARTIN



VANITIES™

Boston 500mm Stainless Steel Sink Console
Diagrams with Dimensions
page 01 of 03



NOTE ONE: Countertop with integrated sink is shown on this cabinet
NOTE TWO: This vanity does not have a Backsplash.

Version:202004

500mm

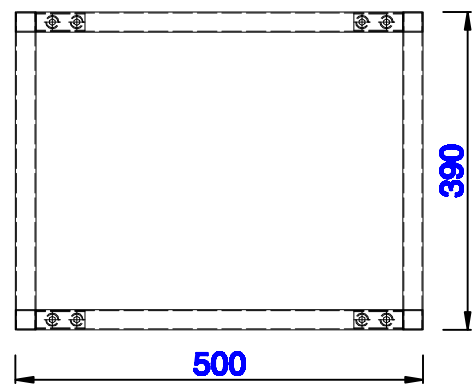
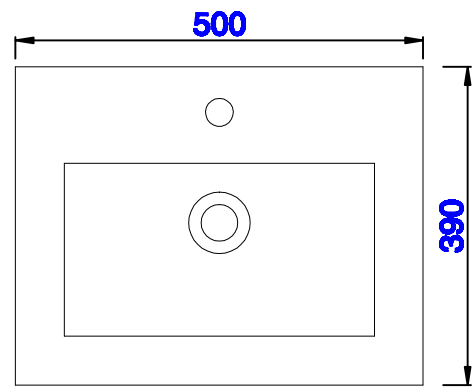
Item Number:
C105-V20-BNK
C105-V20-RGD
C105-V20-MBK

JAMES MARTIN



VANITIES™

Boston 500mm Stainless Steel Sink Console
Diagrams with Dimensions
page 02 of 03



NOTE ONE: Countertop with integrated sink is shown on this cabinet.

Version:202004

500mm

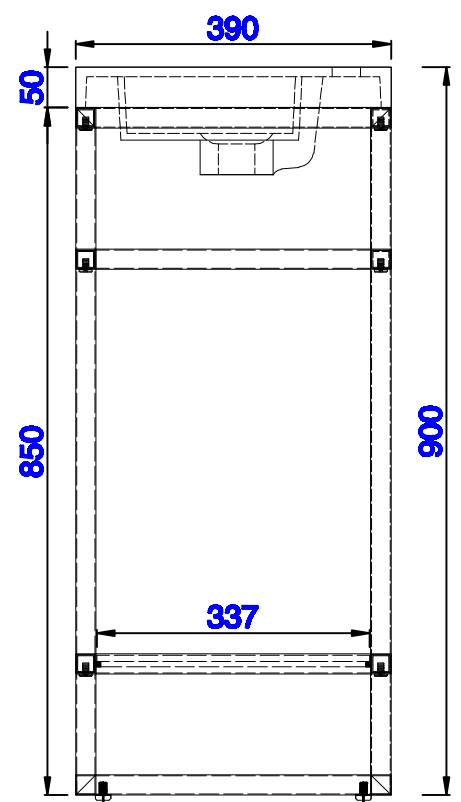
Item Number:
C105-V20-BNK
C105-V20-RGD
C105-V20-MBK

JAMES MARTIN



VANITIES™

Boston 500 mm Stainless Steel Sink Console
Diagrams with Dimensions
page 03 of 03



NOTE ONE: Countertop with integrated sink is shown on this cabinet
NOTE TWO: This vanity does not have a Backsplash.

Version:202004