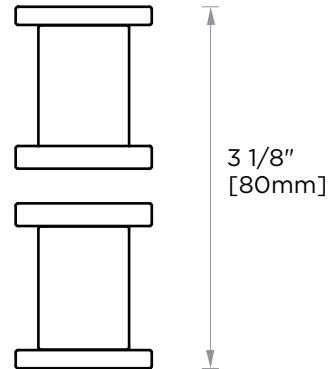
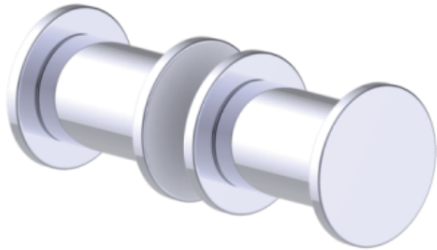


NICE COLLECTION DOUBLE SDH KNOB 1707502



PRODUCT NAME: DOUBLE SDH KNOB

PRODUCT CODE: 1707502

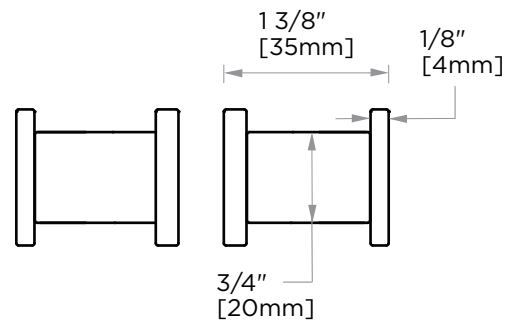
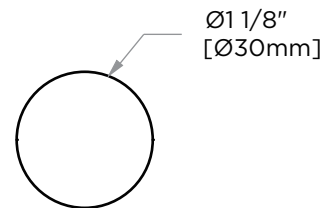
MATERIAL: All-brass construction

KEY FEATURES: Contemporary design.
Soft, curved brass with thin rosettes

STOCKED FINISHES: ● Polished Chrome (99)

SPECIAL FINISHES AVAILABLE: 26 options available.
Please see our website for full list samples

WARRANTY:
Lifetime Limited (Residential Use)
One Year (Commercial Use)



NOTE: Dimensions and specifications are subject to change without notice.