

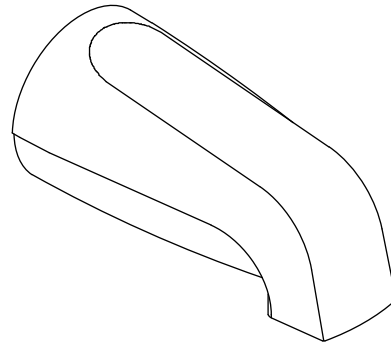
**Features**

- Metal construction
- Available with 4-5/8" (117 mm) non-diverter spout with NPT or slip-fit connection

**Codes/Standards Applicable**

Specified model meets or exceeds the following:

- ASME A112.18.1/CSA B125.1



**Colors/Finishes**

- CP: Polished Chrome
- PB: Vibrant® Polished Brass

**Specified Model**

Model	Description	Colors/Finishes	
K-15135	Bath spout with NPT non-diverter	<input type="checkbox"/> CP	<input type="checkbox"/> PB
K-15135-S	Bath spout with slip-fit non-diverter	<input type="checkbox"/> CP	<input type="checkbox"/> PB

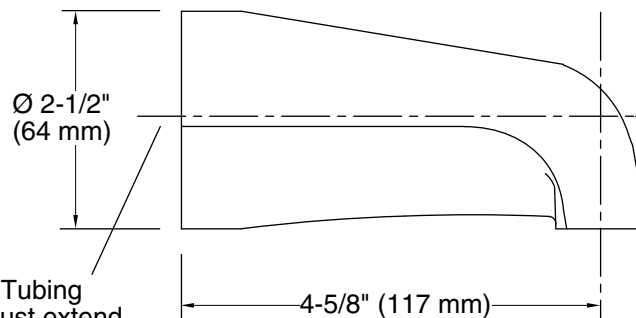
**Product Specification**

Product shall be a wall-mount 4-5/8" (117 mm) non-diverter bath spout and shall be of metal construction. Spout shall be available with NPT or slip-fit connection. Spout shall be Kohler Model K-15135-\_\_\_\_-\_\_\_\_.

# CORALAIS®

## Installation Notes

Install this product according to the installation guide.



1/2" NPT Pipe or 5/8" OD Tubing  
For slip-fit spout, tubing must extend  
1-1/2" (38 mm) Min; 2-7/8" (73 mm)  
Max beyond finished wall.  
For 1/2" NPT spout, pipe must extend  
3-7/8" (98 mm) beyond finished wall.

## Product Diagram