

Features

- Bask® heated surface creates spa-like relaxation with soothing warmth on your back and neck.
- Customize the heat with three adjustable settings.
- Molded lumbar support offers extra comfort while bathing.
- Slotted overflow allows for deep soaking.
- End drain.
- Under-mountable

Material

- Acrylic

Installation

- Drop-in or under-mount.
- Requires 110V electrical service.

Additional Hydrotherapy Options

- Soaking Bath - 1821-0
- Soaking Bath + Bask heated surface - 1821-W1
- BubbleMassage air bath - 1822-G
- BubbleMassage air bath + chromatherapy - 1822-GCR
- VibrAcoustic + BubbleMassage air bath - 1822-GVB
- VibrAcoustic + BubbleMassage air bath + Bask heated surface + chromatherapy - 1822-GVBCW
- BubbleMassage air bath + Bask heated surface - 1822-GW
- Whirlpool + heater - 1822-H2
- VibrAcoustic - 1822-VB
- VibrAcoustic + chromatherapy - 1822-VBC
- VibrAcoustic + chromatherapy + Bask heated surface - 1822-VBCW
- VibrAcoustic + Bask heated surface - 1822-VBW
- Whirlpool + BubbleMassage air bath - 1822-XH2G

Required Products/Accessories

K-7271 Brass Slotted Overflow Bath Drain

or

K-7272 PVC Slotted Overflow Bath Drain

Recommended Products/Accessories

K-1491 Bath/Whirlpool Pillow
K-1601 Bath/Whirlpool Footstop
K-550 Under-Mount Installation Kit
K-24916 Wireless Music Kit
K-1177 Vinyl Tiling-in Bead



Codes/Standards










ASME A112.19.7/CSA B45.10
CSA B45.5/IAPMO Z124
ASTM E162
ASTM E662
UL 1795

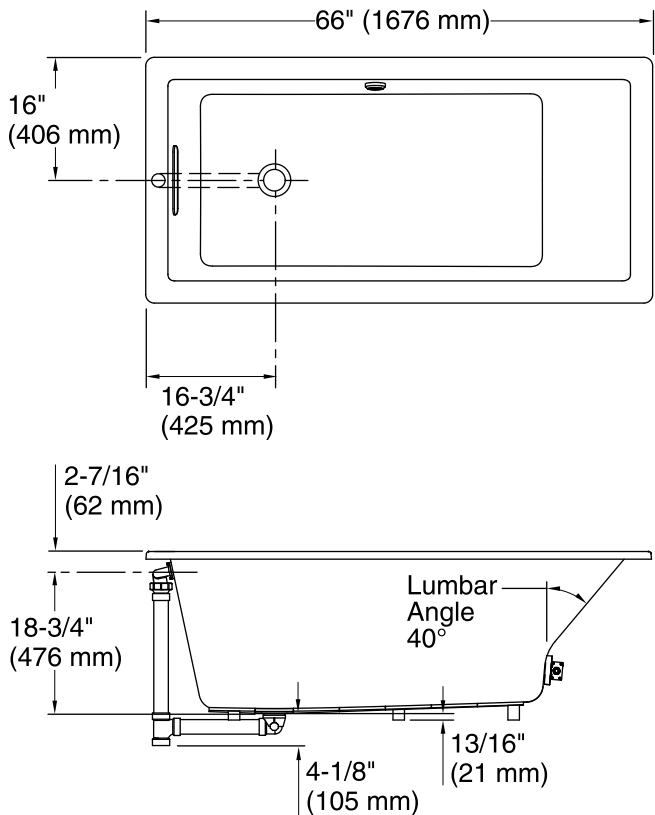
**KOHLER® Plastic Baths and Receptors
Lifetime Limited Warranty
KOHLER® Hydrotherapy Components
Five-Year Limited Warranty**

See website for detailed warranty information.

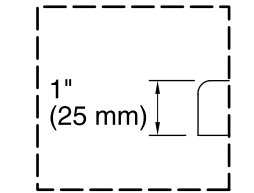
Available Colors/Finishes

Color tiles intended for reference only.

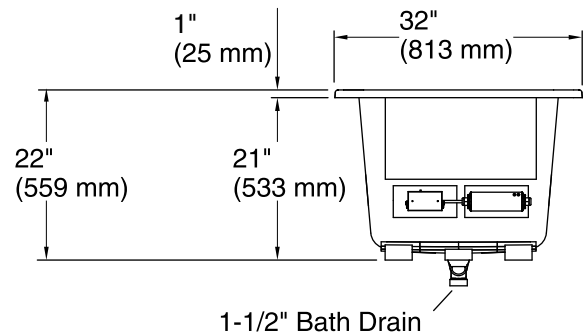
Color	Code	Description
	0	White
	96	Biscuit
	47	Almond
	NY	Dune
	95	Ice™ Grey
	G9	Sandbar
	K4	Cashmere
	58	Thunder™ Grey
	7	Black Black™



No change in measurement if connected with drain illustrated. (K-7272)



Access Panel
 20" (508 mm) W x
 15" (381 mm) H



Required Electrical Service

One circuit required, protected with Class A Ground-Fault Circuit-Interrupter (GFCI). Outside North America, this device may be known as a Residual Current Device (RCD).

Heated Surface: 120 V, 15 A

Technical Information

All product dimensions are nominal.

Installation:	Drop-in, Under-mount
Drain location:	End
Basin area, bottom:	44-1/2" x 22-5/16" (1130 mm x 567 mm)
Basin area, top:	59-5/8" x 25-1/2" (1514 mm x 648 mm)
Weight:	92 lbs (41.7 kg)
Minimum floor load:	50 lbs/ft ² (244.1 kg/m ²)
Water depth:	18" (457 mm)
Water capacity:	85.8 gal (324.8 L)
Cutout:	Drop-in, 64-1/2" x 30-1/2" (1638 mm x 775 mm)
Electrical component rating:	Heated Surface: 120 V, 0.5 A, 60 Hz, 65 W
Minimum flat for door:	2-1/2" (64 mm)

Notes

Measure your actual product for rough-in details. Install this product according to the installation instructions.

The hot water supply should be 70% of the capacity of the bath or greater. Installations will vary.

Kit is required for under-mount installations (sold separately).