



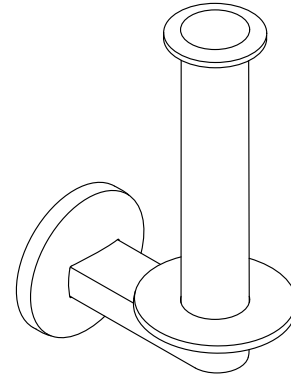
**Components™**  
Vertical Toilet Tissue Holder  
**K-78383**

**Features**

- Coordinates with other products in the Components Collection.

**Material**

- Premium metal construction.
- KOHLER finishes resist corrosion and tarnish.



**Codes/Standards**



None Applicable

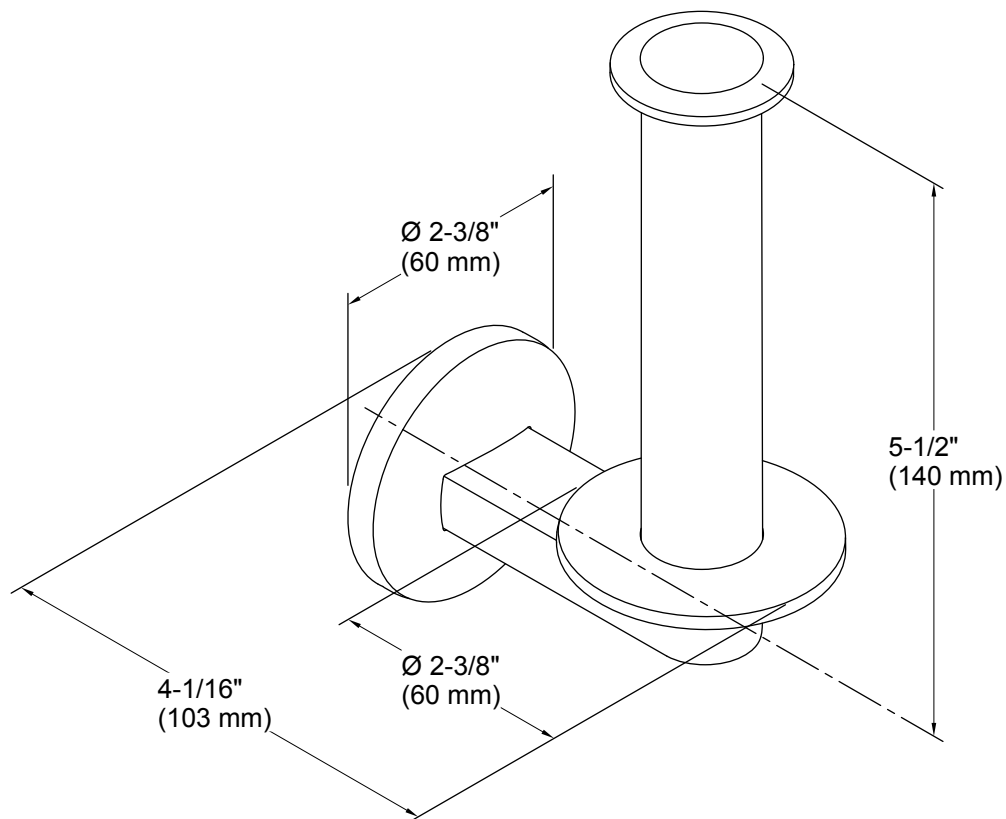
**KOHLER® Faucet Lifetime Limited Warranty**

See website for detailed warranty information.

**Available Color/Finishes**

*Color tiles intended for reference only.*

Color	Code	Description
	CP	Polished Chrome
	BL	Matte Black



### Technical Information

All product dimensions are nominal.

### Notes

Install this product according to the installation instructions.

**CAUTION:** Risk of personal injury. Do not install these products in any area where they are likely to be used inadvertently as a grab bar or support bar. These products are not designed or intended for use as a grab bar or support bar.