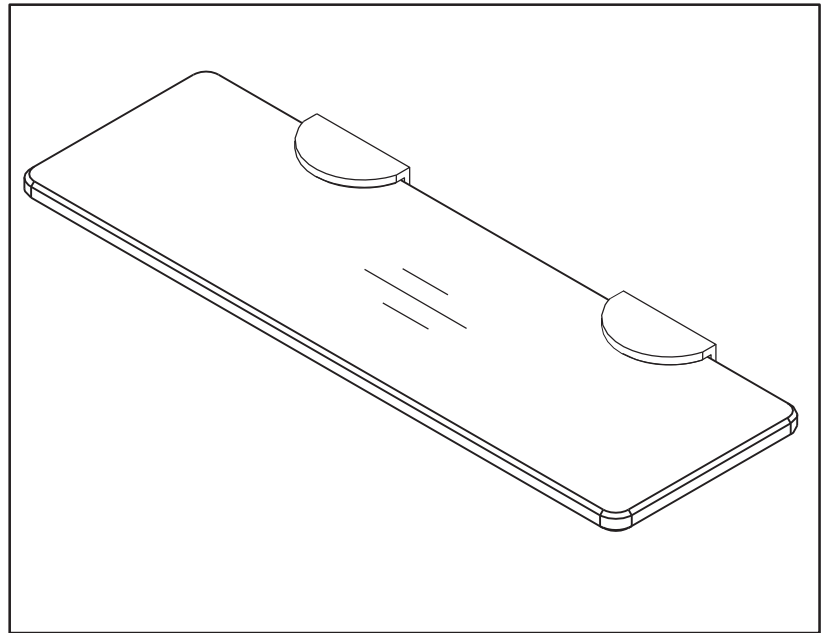


# GLASS RECTANGLE SHELF



**15" x 5" x 3/8"**  
**GLASS SHELF**

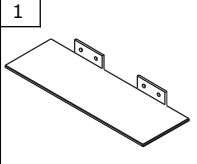
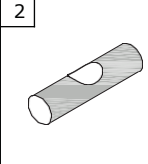
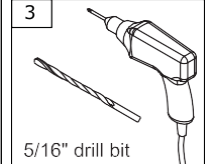
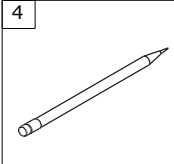
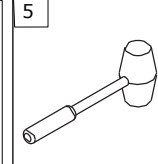
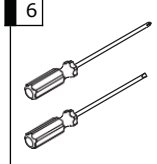
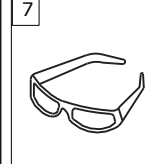
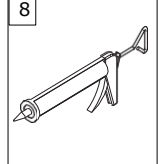
**38.1 x 12.7 x 0.95 cm**  
**REPISA DE VIDRIO**



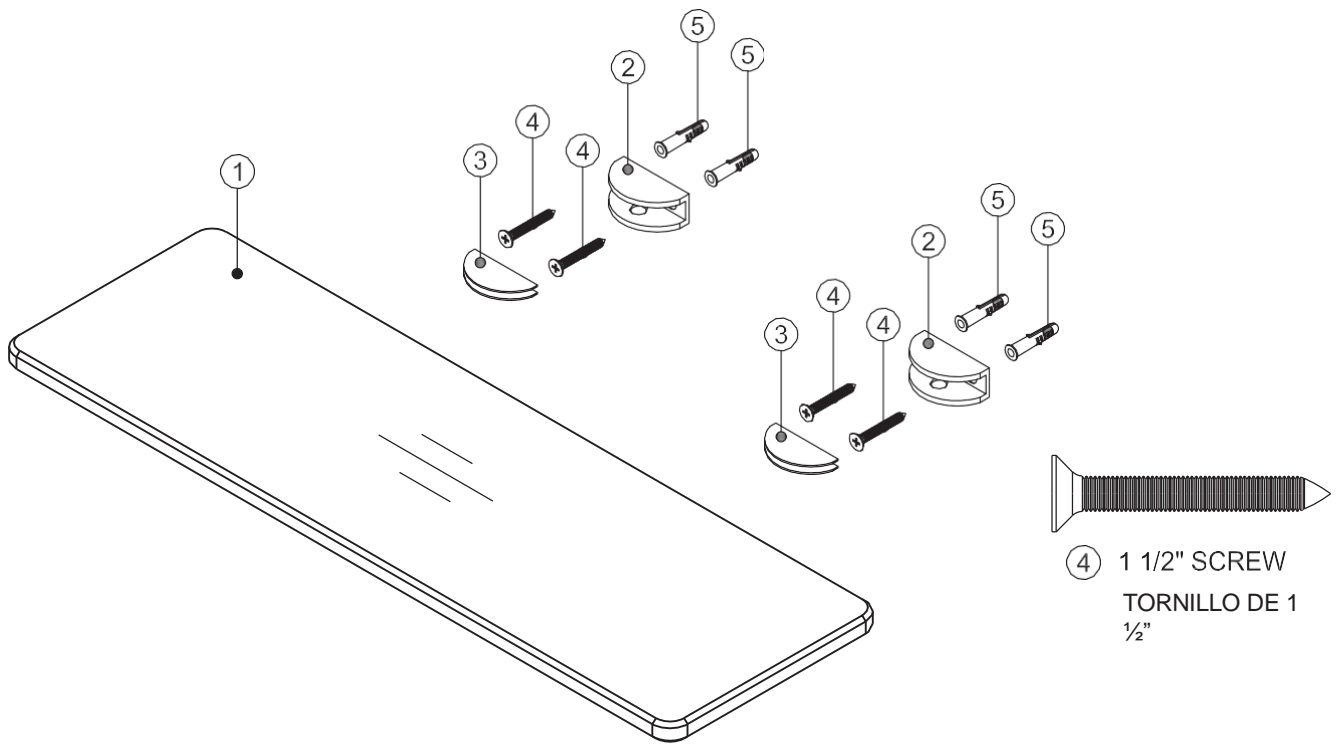
**LXSS0515**

## TOOLS REQUIRED / HERRAMIENTAS REQUERIDAS

NOT INCLUDED / NO INCLUIDO

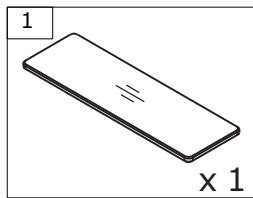
		 5/16" drill bit					
POSITIONER POSICIONADOR	LEVEL NIVEL	DRILL AND ASSORTED BITS TALADRO Y SURTIDO DE BROCAS	PENCIL LÁPIZ	RUBBER MALLET MARTILLO DE GOMA	SCREW DRIVERS DESTORNILLADORES	SAFETY GLASSES CRISTALES INASTILLABLES	SILICO NE SILICON A

Need Help? If you have any questions or concerns regarding our warranty plan, please email: [customerservice@luxartcollection.com](mailto:customerservice@luxartcollection.com)

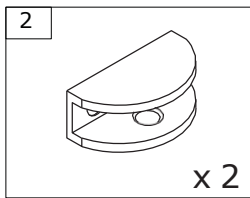


④ 1 1/2" SCREW  
TORNILLO DE 1  
1/2"

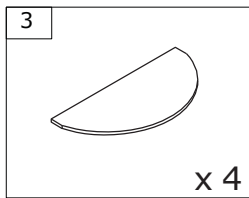
## PARTS LIST / LISTA DE PARTES



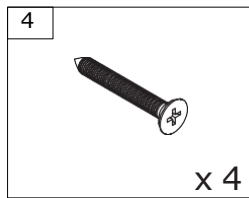
1  
GLASS SHELF  
REPISA DE  
VIDRIO  
x 1



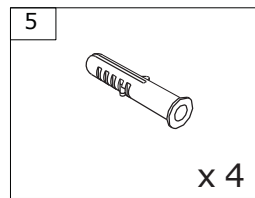
2  
GLASS CLIP  
CLIP PARA  
VIDRIO  
x 2



3  
PLASTIC GASKET  
JUNTA DE  
PLÁSTICO  
x 4



4  
1 1/2" SCREW  
TORNILLO DE 1  
1/2"  
x 4



5  
WALL PLUG  
TACOS PARA  
PARED  
x 4

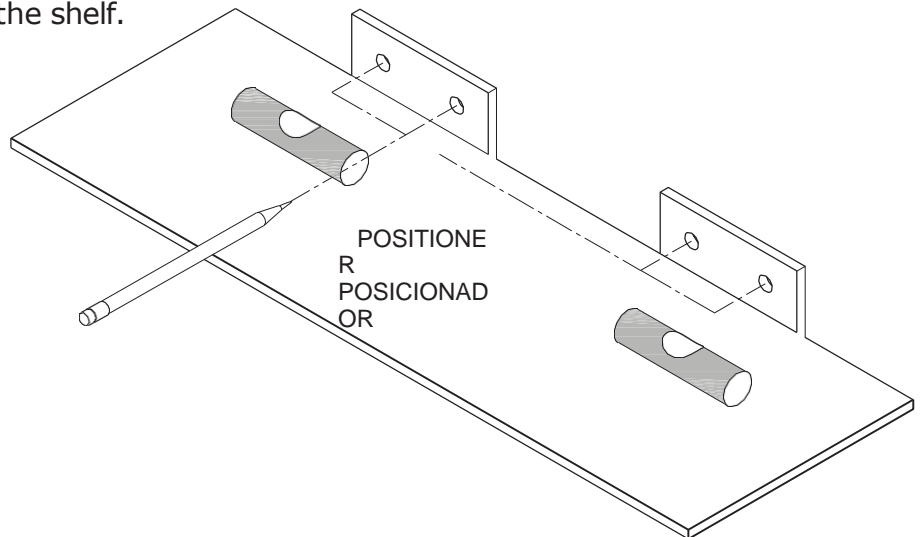
**WARNING: Safety glasses should always be worn when working with drill.**

**ADVERTENCIA: SIEMPRE DEBEN USARSE GAFAS DE SEGURIDAD AL TRABAJAR CON TALADRO.**

**1**

Select the desired position of the shelf.  
Level and mark the location.

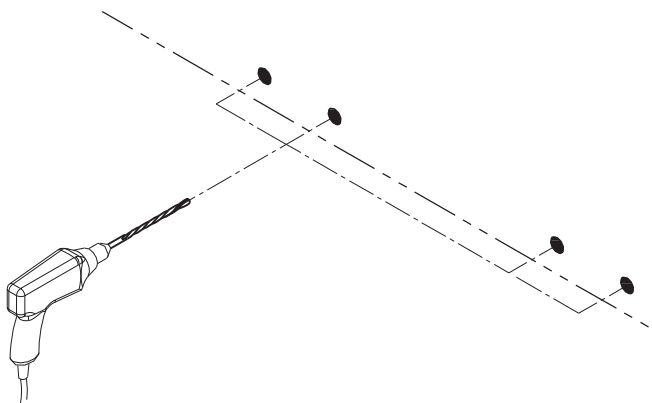
Seleccionar la posición deseada  
para el estante.  
Nivelar y marcar ubicaciones.



## 2. A

Drill holes about 1 1/2" deep at each of the marked locations.

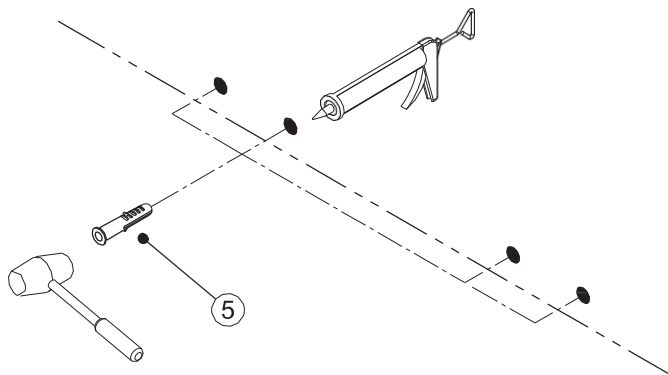
Taladras orificios de aproximadamente 1 1/2" de profundidad en cada una de las ubicaciones marcadas.



## 2. B

Apply silicone into drilled holes and insert wall plugs (5).

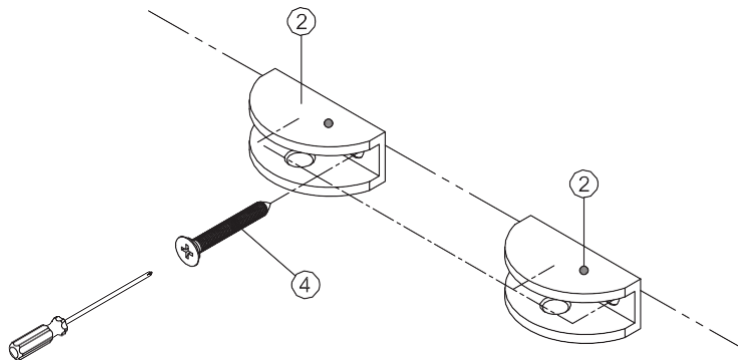
Aplique la silicona en agujeros taladrados y Insertar los tacos para pared (5).



## 3

Insert Glass Clip (2).

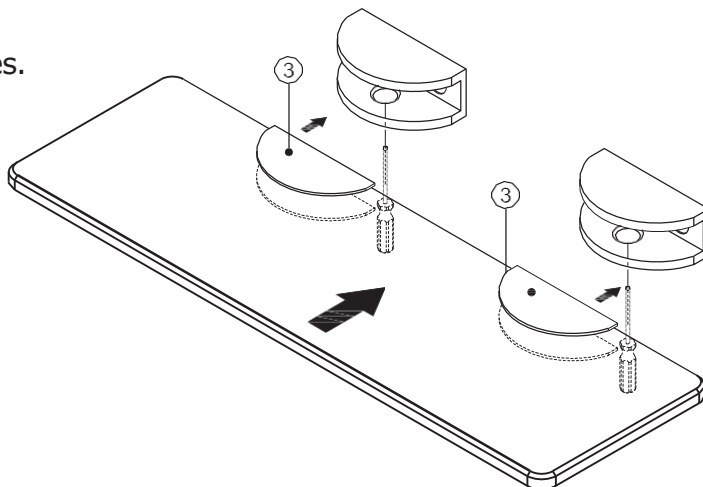
Insertar el clip para vidrio (2).



## 4

Insert Glass Shelf (1) as illustration indicates. Tighten up the setting screw.

Insertar la repisa (1) de vidrio tal como indica la ilustración. Apretar bien el tornillo de ajuste.



# ATTENTION CONSUMER:

## IMPORTANT WARRANTY INFORMATION

PLEASE DO NOT DISCARD

Thank you for your purchase.

In order to be eligible for product warranty, please register your door on our website within two (2) weeks of installation.

Go to:

**<https://www.luxartcollection.com/pages/register-warranty>**

Or scan the QR Code below and follow the instructions.



For any questions or comments  
about your purchase,  
please contact our Customer Service at:  
[customerservice@luxartcollection.com](mailto:customerservice@luxartcollection.com)

