

# Freestanding Tub

Luxart®  
VitaBella

## Product Specifications

### LUXART® DOWNTOWN®

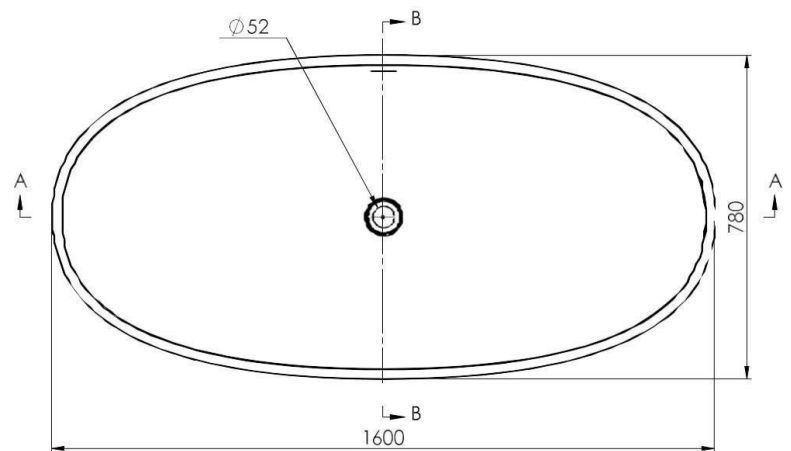
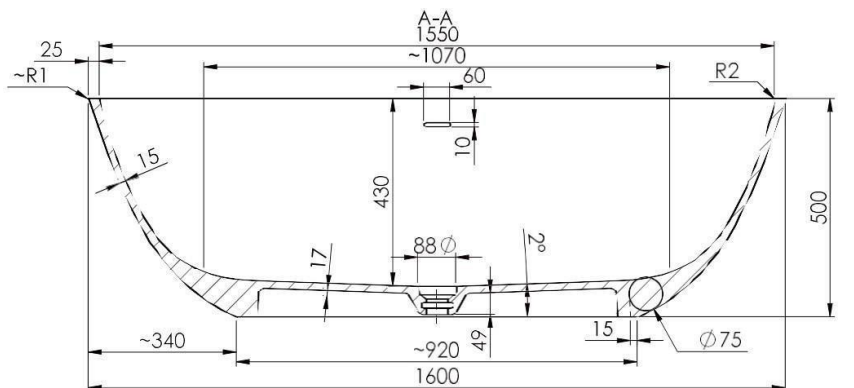
Luxart VitaBella tubs are made of mineral composite, an organic mixture of ground natural minerals and binding agents that are liquefied, poured and then hardened. The result is molded stone, solid through and through with no layers, hollow or void areas and a deep-soak bath experience unlike any other.

- Drain is covered in the same material as the tub.



## TECHINICAL SPECIFICATIONS

Height	500 mm / 19-3/4 in
Width	780 mm / 30-3/4 in
Depth	430 mm / 17 in
Length	1600 mm / 63 in
Weight	208.00 pounds
Shipping Weight	240.00 pounds
Capacity (full)	83 Gallons
Capacity (to overflow)	70 Gallons
Drain	Center
Overflow	Integrated



### APPLICABLE STANDARDS/CODES

Specified model meets or exceeds the following:

- IAPMO/cUPC

### AVAILABLE FINISHES:

- Gloss Finish – DOWNTOWN6331OF
- Matte Finish – DOWNTOWN6331OFM



Contact your sales representative for more information or visit our website at [luxartcollection.com](http://luxartcollection.com)

## TECHINCAL SPECIFICATIONS

ABS Intergral Bath Tub Drain Assembly shall feature a Brass coarse thread strainer with 5/16-18 UNC thread-in crossbar and Integral overflow holes with vertical weeping channels. ABS fitting features an 1-1/2" DWV Hub.

