



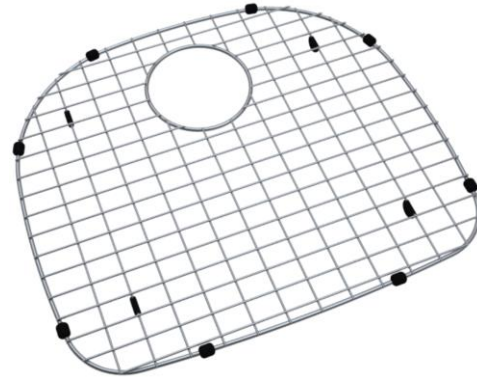
**MAINLINE®**

# Sink Bottom Grid

## Product Specifications

### Features

- Custom designed to protect and cover the bottom of your sink
- Properly positioned opening for convenient access to drain or disposer
- Built from solid stainless steel to resist corrosion and provide years of service

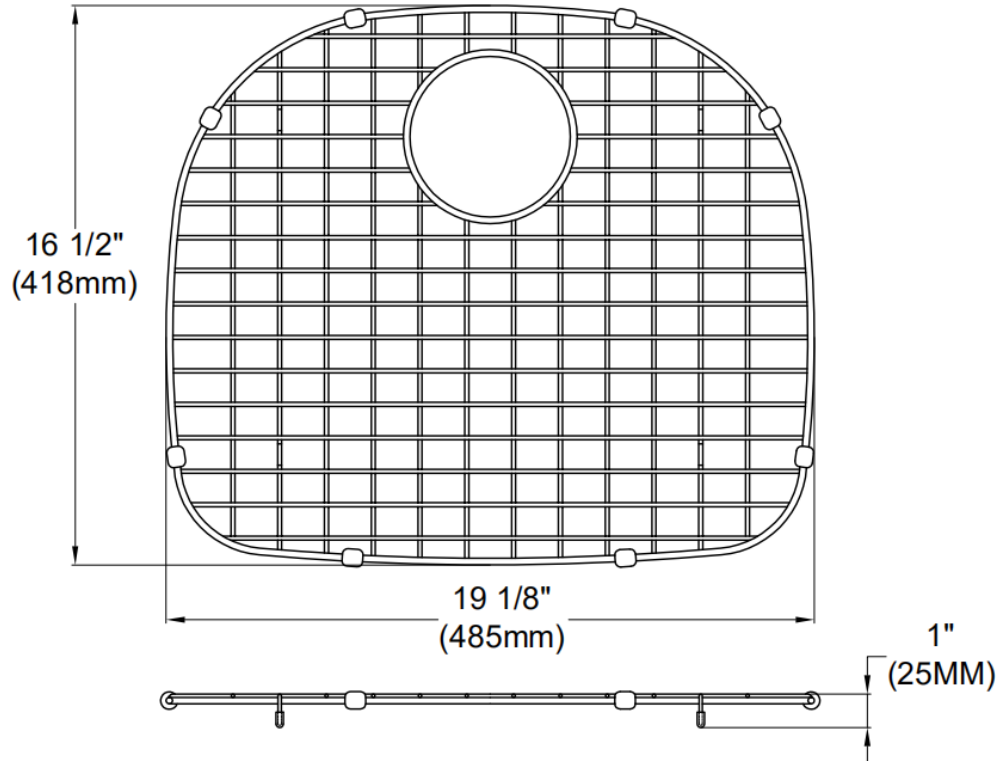


**Overall Size:** 16-1/2" x 19-1/8" x 1"

**Drain Placement:** Center Rear

**Material:** Stainless Steel

**MLUS2421BG**



All dimensions listed are nominal. Mainline® reserves the right to make product and material changes at any time without notice.



Contact your sales representative for more information or visit our website at [mainlinecollection.com](http://mainlinecollection.com)