



# LINEAR DRAINS

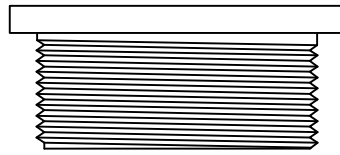
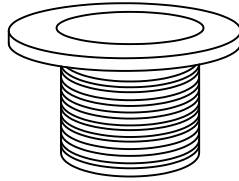
LUXE LINEAR DRAINS  
 P.O. BOX 8064  
 ATLANTA, GA 31106  
 PHONE: (877) 398-8110  
 FAX: (877) 388-1239  
 www.lineardrains.com

SELECT DESIRED DRAIN LENGTH:

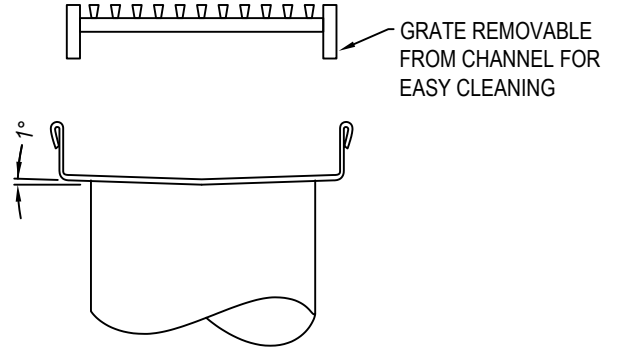
- 26"    36"    48"  
 30"    40"    60"

SELECT DESIRED FINISH:

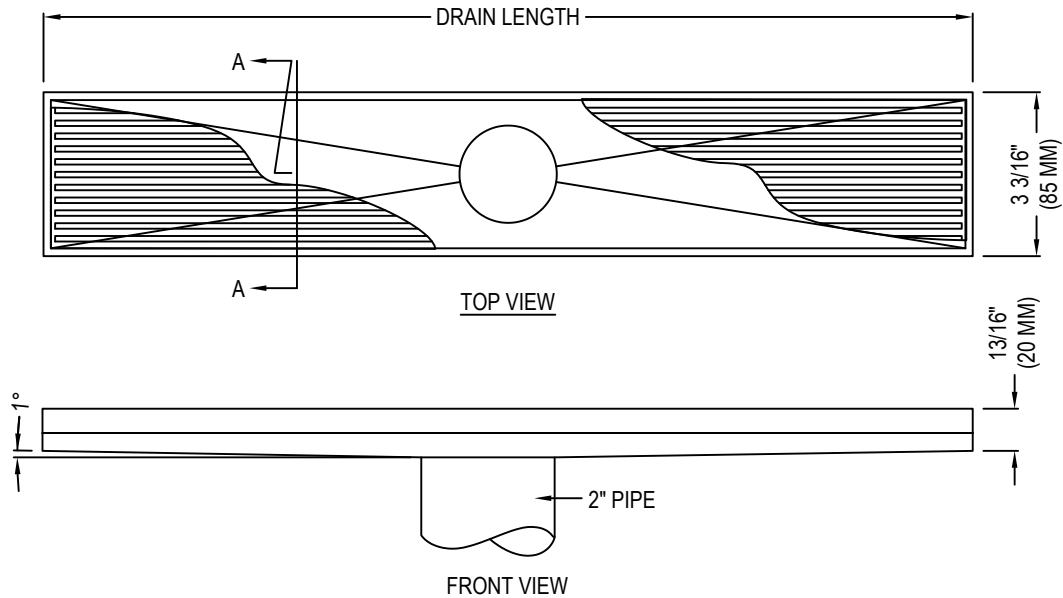
- SATIN STAINLESS  
 POLISHED STAINLESS



THREADED MALE ADAPTER  
INCLUDED

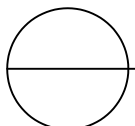


SECTION "A-A"



**NOTES:**

1. INSTALLATION TO BE COMPLETED IN ACCORDANCE WITH MANUFACTURER'S SPECIFICATIONS.
2. DO NOT SCALE DRAWING.
3. THIS DRAWING IS INTENDED FOR USE BY ARCHITECTS, ENGINEERS, CONTRACTORS, CONSULTANTS AND DESIGN PROFESSIONALS FOR PLANNING PURPOSES ONLY. THIS DRAWING MAY NOT BE USED FOR CONSTRUCTION.
4. ALL INFORMATION CONTAINED HEREIN WAS CURRENT AT THE TIME OF DEVELOPMENT BUT MUST BE REVIEWED AND APPROVED BY THE PRODUCT MANUFACTURER TO BE CONSIDERED ACCURATE.
5. CONTRACTOR'S NOTE: FOR PRODUCT AND COMPANY INFORMATION VISIT [www.CADdetails.com/info](http://www.CADdetails.com/info) AND ENTER REFERENCE NUMBER 4634-001



## LINEAR DRAINS

WEDGEWIRE LINEAR SHOWER DRAIN (AVAILABLE IN FIXED LENGTHS - 26", 30", 36", 40", 48", & 60")