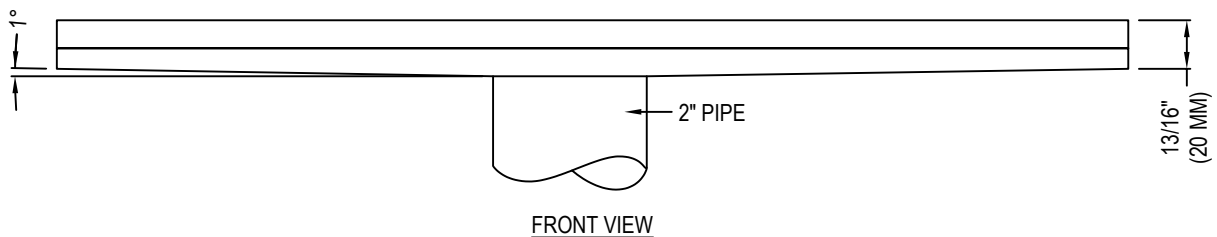
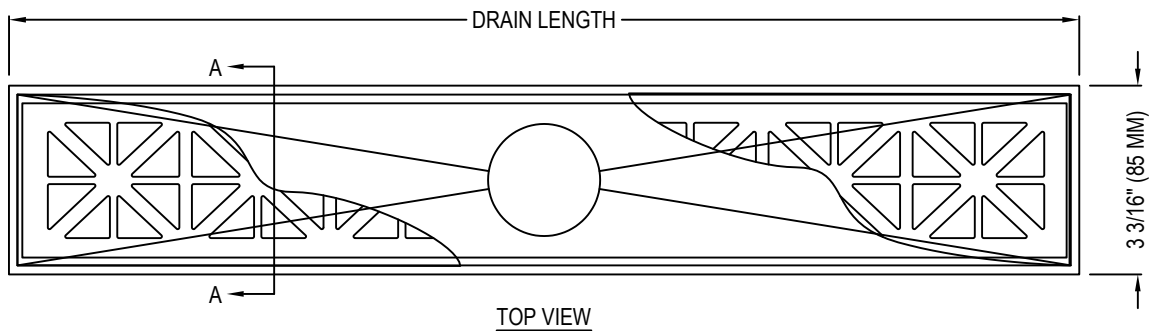
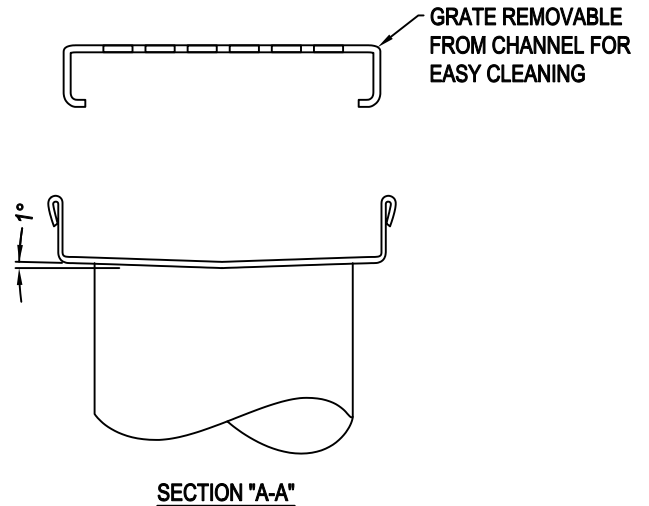
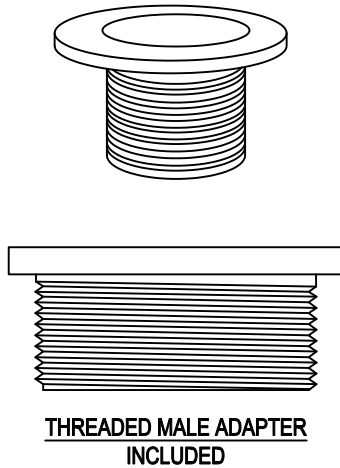


LUXE LINEAR DRAINS

LUXE LINEAR DRAINS
 P.O. BOX 8064
 ATLANTA, GA 31106
 PHONE: (877) 398-8110
 FAX: (877) 388-1239
 www.lineardrains.com

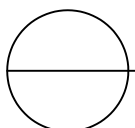
SELECT DESIRED DRAIN LENGTH:

- 26" 36" 48"
 30" 40" 60"



NOTES:

1. INSTALLATION TO BE COMPLETED IN ACCORDANCE WITH MANUFACTURER'S SPECIFICATIONS.
2. DO NOT SCALE DRAWING.
3. THIS DRAWING IS INTENDED FOR USE BY ARCHITECTS, ENGINEERS, CONTRACTORS, CONSULTANTS AND DESIGN PROFESSIONALS FOR PLANNING PURPOSES ONLY. THIS DRAWING MAY NOT BE USED FOR CONSTRUCTION.
4. ALL INFORMATION CONTAINED HEREIN WAS CURRENT AT THE TIME OF DEVELOPMENT BUT MUST BE REVIEWED AND APPROVED BY THE PRODUCT MANUFACTURER TO BE CONSIDERED ACCURATE.
5. CONTRACTOR'S NOTE: FOR PRODUCT AND COMPANY INFORMATION VISIT www.CADdetails.com/info AND ENTER REFERENCE NUMBER 4634-004



LINEAR DRAINS

ROMAN LINEAR SHOWER DRAIN (AVAILABLE IN FIXED LENGTHS - 26", 30", 36", 40", 48", & 60")