



MAINLINE®

TOILET FLUSH VALVE

Product Specifications

FEATURES

- 3" flush valve
- Includes adjustable 3" PVC flapper
- Includes adjustable overflow tube
- Fits most 3" tanks

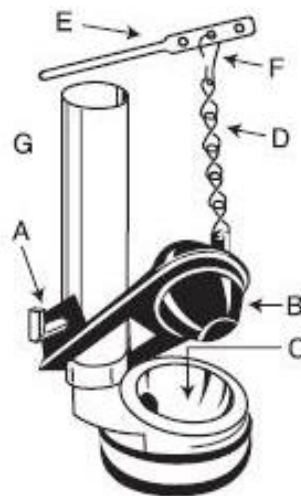
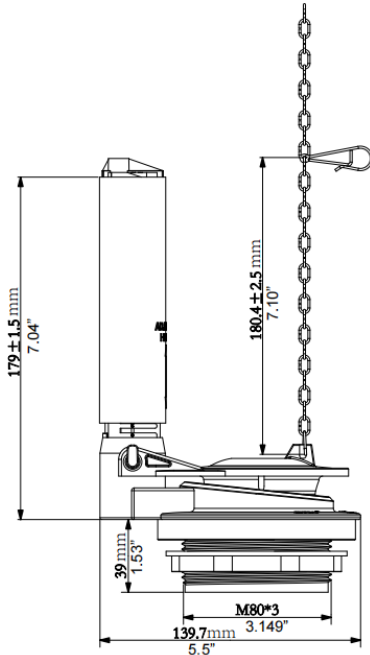
APPLICABLE STANDARDS/CODES

*This product is in compliance with the following standard(s)

- ASME A112.19.5-2017
- CSA B45.15-17



MLTRP700



A	Ears/Arms
B	Flapper
C	Valve Outlet
D	Lift Chain
E	Lever Arm
F	Clip
G	Overflow Tube

Warranty

See warranty information for more details.

All dimensions listed are nominal. MAINLINE® reserves the right to make product and material changes at any time without notice.



Contact your sales representative for more information or visit our website at mainlinecollection.com