



MAINLINE®

Sink Bottom Grid

Product Specifications

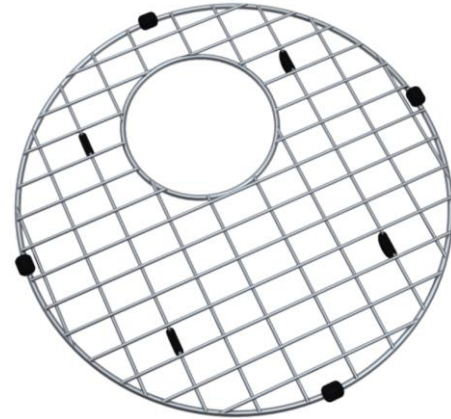
Features

- Custom designed to protect and cover the bottom of your sink
- Properly positioned opening for convenient access to drain or disposer
- Built from solid stainless steel to resist corrosion and provide years of service

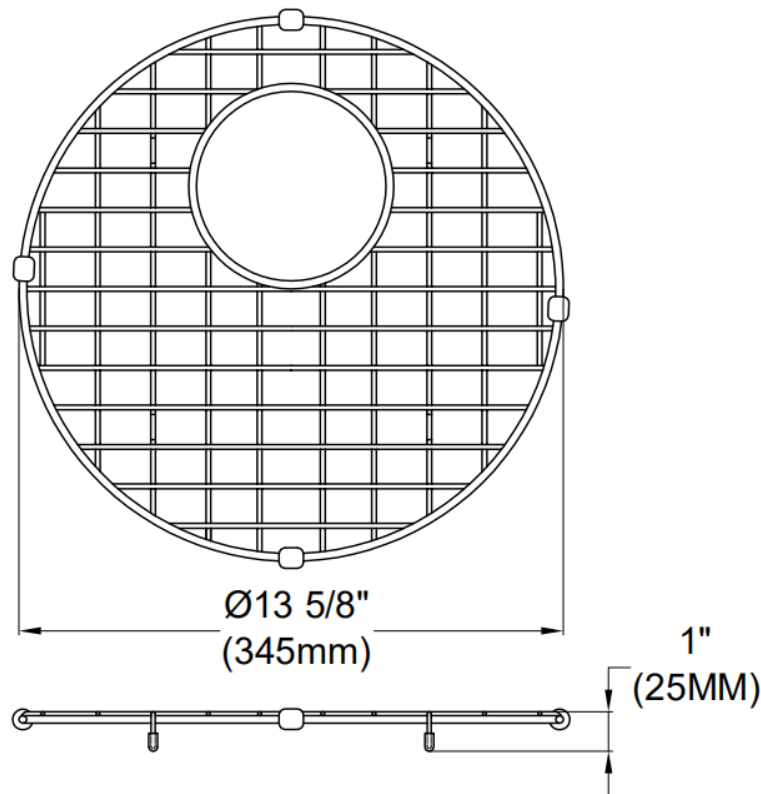
Overall Size: 13-5/8" x 1"

Drain Placement: Center Rear

Material: Stainless Steel



MLUS18BG



All dimensions listed are nominal. Mainline® reserves the right to make product and material changes at any time without notice.



Contact your sales representative for more information or visit our website at mainlinecollection.com