

# Brass Ball Valve, Solder

## Product Specifications

✓ To Submit	Part #	Size
	ML5595F-1/2	1/2"
	ML5595F-3/4	3/4"
	ML5595F-1	1"
	ML5595F-11/4	1-1/4"
	ML5595F-11/2	1-1/2"
	ML5595F-2	2"

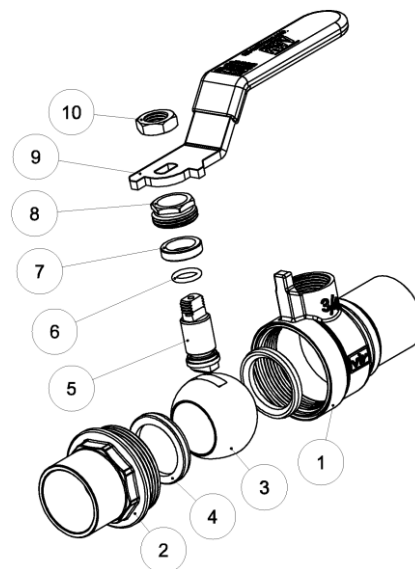
### Product Features:

- 150# WSP / 600# WOG
- 2-Piece Brass Body
- Full Port
- Chrome-Plated Ball
- Virgin PTFE Seats
- Adjustable Packing Nut
- Blow-Out Proof Stem
- Solder Ends



### Materials & Specifications:

Item	Description	Material	Specification
1	Body	Brass	B283 C37700
2	End Piece	Brass	B283 C37700
3	Ball	Brass / Cr Plated	B283 C37700
4	Seat	PTFE	PTFE
5	Stem	Brass	B124 C37700
6	O-ring	FKM	FKM
7	Packing	PTFE	PTFE
8	Packing Nut	Brass	B124 C37700
9	Handle	Steel / De Plated	A36
10	Handle Nut	Steel / Zn Plated	A36

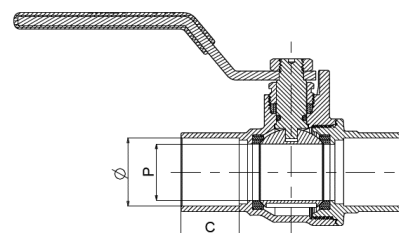
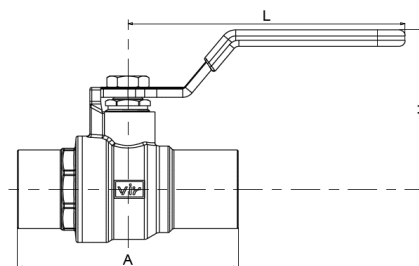


### Dimensions (inches), Weights (lbs.), & Valve Data:

Size	1/2"	3/4"	1"	1-1/4"	1-1/2"	2"
∅	0.627 - 0.631	0.877 - 0.881	1.128 - 1.131	1.378 - 1.381	1.628 - 1.632	2.128 - 2.132
A	2.2	2.87	3.43	3.82	4.25	5.31
C	0.51	0.75	0.91	0.98	1.09	1.34
H	1.93	2.07	2.36	2.6	2.87	3.25
L	3.58	3.58	4.96	4.96	5.55	5.55
P	0.5	0.73	0.95	1.22	1.46	1.95
Cv	11	26	55	103	111	353
Wt	0.36	0.55	0.89	1.13	1.64	2.68

### Connection Working Pressure:

Solder used in joints	Working Temp °F	Maximum working pressure (PSI)	
		3/8" - 1"	1-1/4" - 2"
95-5 Tin	100	500	400
Antimony	150	400	350
(ASTM B32	200	300	250
grade 95TA)	250	200	175



Pressure/Temperature Ratings	
600 PSI from 15°F to 160°F	150 PSI Max at 366°F

### Warranty

See warranty information for more details.

All dimensions listed are nominal. MAINLINE® reserves the right to make product and material changes at any time without notice.

Contact your sales representative for more information or visit our website at [mainlinecollection.com](http://mainlinecollection.com)