



MAINLINE®

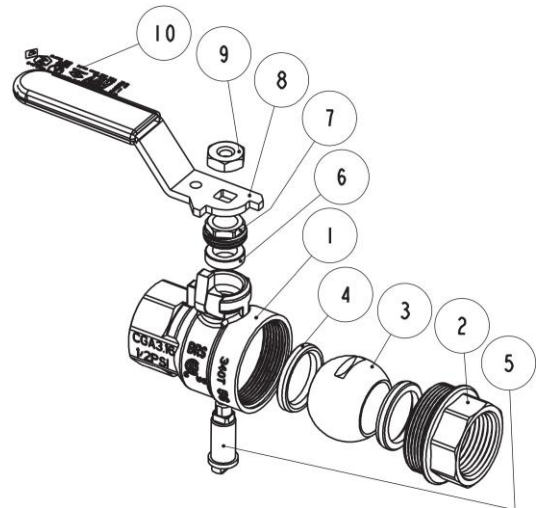
Lead Free* Brass Ball Valve, Threaded

Product Specifications

✓ To Submit	Part #	Size
	ML5544AB-1/4	1/4"
	ML5544AB-3/8	3/8"
	ML5544AB-1/2	1/2"
	ML5544AB-3/4	3/4"
	ML5544AB-1	1"
	ML5544AB-11/4	1-1/4"
	ML5544AB-11/2	1-1/2"
	ML5544AB-2	2"
	ML5544AB-21/2	2-1/2"
	ML5544AB-3	3"
	ML5544AB-4	4"

Product Features:

- 150# WSP / 600# WOG
- Forged Brass Body
- Full Port
- Chrome-Plated Ball
- Virgin PTFE Seats
- Adjustable Packing Nut
- Blow-Out Proof Stem
- MSS-SP-110
- CSA 1/2 & 5 PSI (1/4"-3")
- UL Approved 1/2"-2"
- FM Approved 1/2"-2"
- AB1953, NSF-61, NSF-372 Certified



Materials & Specifications:

Item	Description	Material	Specification
1	Body	Low Lead Brass	C28500
2	End Piece	Low Lead Brass	C28500
3	Ball	Low Lead Brass / Cr Plated	C28500
4	Seat	PTFE	PTFE
5	Stem	Low Lead Brass	C28500
6	Packing Ring	PTFE	PTFE
7	Packing Nut	Brass	B124 C37700
8	Handle	Steel / De Plated	A36 Dacromet
9	Handle Nut	Steel / Zn Plated	A36
10	Valve Info	-	-

Dimensions (inches), Weights (lbs.), & Valve Data:

Size	1/4"	3/8"	1/2"	3/4"	1"	1-1/4"	1-1/2"	2"	2-1/2"	3"	4"
A	1.73	1.73	2.13	2.45	2.85	3.28	3.8	4.34	5.91	6.82	7.56
C	0.45	0.45	0.55	0.59	0.71	0.73	0.77	0.81	1.18	1.22	1.32
H	1.54	1.54	2.1	2.24	2.57	2.78	3.27	3.56	4.68	5.13	5.64
L	3.19	3.19	3.6	3.6	4.98	4.98	5.57	5.57	11.07	11.07	11.07
P	0.39	0.39	0.59	0.79	0.98	1.26	1.57	1.97	2.56	3.15	3.94
Cv	8	8	15	30	60	110	130	360	450	620	1200
Wt	0.25	0.25	0.5	0.7	1.2	1.7	2.8	4	8.3	11.3	17.2

Pressure/Temperature Ratings	
600 PSI from 15°F to 160°F	150 PSI Max at 366°F

Warranty

See warranty information for more details.

All dimensions listed are nominal. MAINLINE® reserves the right to make product and material changes at any time without notice.

Contact your sales representative for more information or visit our website at mainlinecollection.com

