

# Lead Free\* Brass In-line Check Valve, Solder

## Product Specifications

✓ To Submit	Part #	Size
	ML233AB-1/2	1/2"
	ML233AB-3/4	3/4"
	ML233AB-1	1"
	ML233AB-11/4	1-1/4"
	ML233AB-11/2	1-1/2"
	ML233AB-2	2"

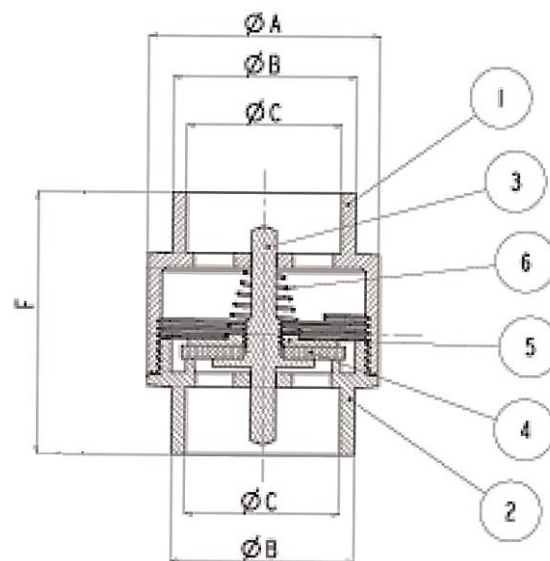
### Product Features:

- 200# WOG
- Forge Brass Body
- Solder Ends
- Horizontal or Vertical Installation
- FPM Soft Seat
- Low Lead Brass Disc
- Spring Loaded (SS304 spring)
- Low Noise Operation
- AB1953, NSF-61 & NSF-372 Certified



### Materials & Specifications:

Item	Description	Material	Specification
1	Body	Low Lead Brass	CW510L
2	Body Cap	Low Lead Brass	CW510L
3	Disk Body	Low Lead Brass	CW510L
4	Seat	FPM	NSF approved
5	Disk Seat	Low Lead Brass	CW510L
6	Spring	Steel	SS304



### Dimensions (inches), Weights (lbs.), & Valve Data:

Size	1/2"	3/4"	1"	1-1/4"	1-1/2"	2"
A	1.18	1.46	1.73	2.2	2.48	3.07
B	0.79	1.04	1.29	1.56	1.81	2.32
C min	0.627	0.877	1.128	1.378	1.628	2.128
C max	0.631	0.881	1.132	1.382	1.633	2.133
F	2.36	2.68	3.15	3.54	3.94	4.33
Cv	2.4	3.1	3.8	10.7	13.8	20.2
Wt	0.26	0.4	0.56	0.95	1.39	2.1

### Warranty

See warranty information for more details.

All dimensions listed are nominal. MAINLINE® reserves the right to make product and material changes at any time without notice.



Contact your sales representative for more information or visit our website at [mainlinecollection.com](http://mainlinecollection.com)