



Lead Free* Brass In-line Check Valve, Threaded

Product Specifications

✓ To Submit	Part #	Size
	ML232AB-1/2	1/2"
	ML232AB-3/4	3/4"
	ML232AB-1	1"
	ML232AB-11/4	1-1/4"
	ML232AB-11/2	1-1/2"
	ML232AB-2	2"

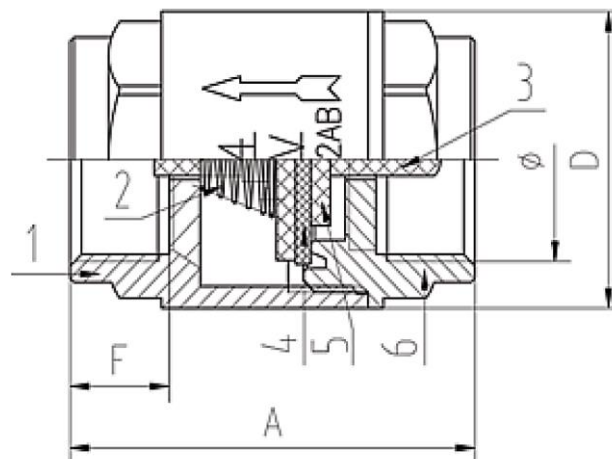
Product Features:

- 200# WOG
- Forge Brass Body
- Threaded Ends
- Horizontal or Vertical Installation
- NBR Soft Seat
- Plastic Disc (POM)
- Spring Loaded (SS304 spring)
- Low Noise Operation
- AB1953, NSF-61 & NSF-372 Certified



Materials & Specifications:

Item	Description	Material	Specification
1	Body	Low Lead Brass	CW510L
2	Spring	SS304	SS304
3	Disk Body	POM	NSF approved
4	Gasket	NBR	NSF approved
5	Disk Seat	POM	NSF approved
6	Cap	Low Lead Brass	CW510L



Dimensions (inches), Weights (lbs.), & Valve Data:

Size	1/2"	3/4"	1"	1-1/4"	1-1/2"	2"
A	1.87	2.09	2.26	2.58	2.76	3.15
F	0.47	0.51	0.59	0.59	0.71	0.73
D	1.18	1.46	1.72	2.17	2.47	3.05
Cv	2.4	3.1	3.8	10.7	13.8	20.2
Wt	0.25	0.35	0.5	0.83	1.07	1.64

Warranty

See warranty information for more details.

All dimensions listed are nominal. MAINLINE® reserves the right to make product and material changes at any time without notice.



Contact your sales representative for more information or visit our website at mainlinecollection.com