



**MAINLINE®**

# Lead Free\* Brass Swing Check Valve, Solder

## Product Specifications

✓ To Submit	Part #	Size
	ML247AB-1/2	1/2"
	ML247AB-3/4	3/4"
	ML247AB-1	1"
	ML247AB-11/4	1-1/4"
	ML247AB-11/2	1-1/2"
	ML247AB-2	2"

### Product Features:

- 200# WOG
- Forge Brass Body
- Low Lead Brass Disc
- Solder Ends
- Horizontal "T" Pattern
- AB1953, NSF-61 & NSF-372 Certified

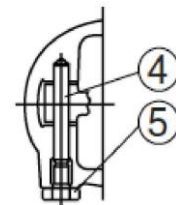
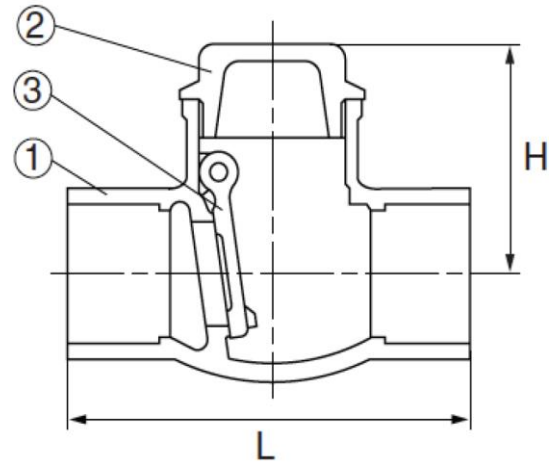


### Materials & Specifications:

Item	Description	Material	Specification
1	Body	Low Lead Brass	C28500
2	Cap	Low Lead Brass	C28500
3	Disc	Low Lead Brass	C28500
4	Pin	Low Lead Brass	C28500
5	Plug	Low Lead Brass	C28500

### Dimensions (inches), Weights (lbs.), & Valve Data:

Size	1/2"	3/4"	1"	1-1/4"	1-1/2"	2"	2-1/2"	3"	4"
H	1.37	1.52	1.74	2	2.33	2.79	3.42	3.64	4.34
L	2.2	2.91	3.4	3.86	4.48	5.51	6.29	7	9.42
Wt	1.1	1.25	1.55	2	2.65	3.4	4.85	7.45	12.25



Pressure/Temperature Ratings	
200# WOG	450°F Max Temp

### Warranty

See warranty information for more details.

All dimensions listed are nominal. MAINLINE® reserves the right to make product and material changes at any time without notice.

Contact your sales representative for more information or visit our website at [mainlinecollection.com](http://mainlinecollection.com)

