



MAINLINE®

Lead Free* Brass Swing Check Valve, Solder

Product Specifications

✓ To Submit	Part #	Size
	ML237AB-1/2	1/2"
	ML237AB-3/4	3/4"
	ML237AB-1	1"
	ML237AB-11/4	1-1/4"
	ML237AB-11/2	1-1/2"
	ML237AB-2	2"

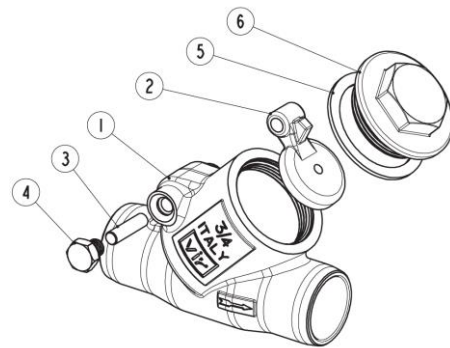
Product Features:

- 125# WSP / 200# WOG
- Low Lead Brass Disc
- Virgin PTFE Gasket
- Solder Ends
- Swing Check
- Y Pattern
- Threaded Cap
- MSS-SP-80
- AB1953, NSF-61 & NSF-372 Certified



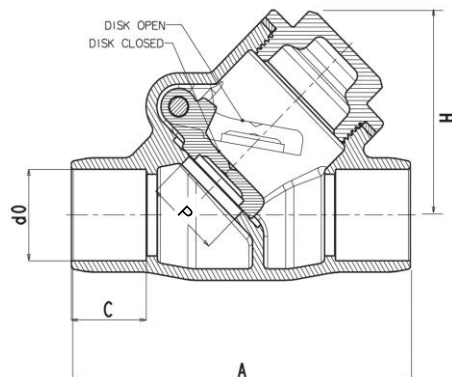
Materials & Specifications:

Item	Description	Material	Specification
1	Body	Low Lead Brass	CW510L
2	Disc	Low Lead Brass	CW510L
3	Stem	Low Lead Brass	CW510L
4	Screw	Low Lead Brass	CW510L
5	Gasket	PTFE	PTFE
6	Cap	Low Lead Brass	CW510L



Dimensions (inches), Weights (lbs.), & Valve Data:

Size	1/2"	3/4"	1"	1-1/4"	1-1/2"	2"
dO	0.502 - 0.506	0.627 - 0.631	0.877 - 0.881	1.128 - 1.132	1.378 - 1.382	1.628 - 1.633
A	2.6	3.39	4.09	4.72	5.35	6.69
C	0.5	0.75	0.91	0.98	1.1	1.34
H	1.65	1.97	2.28	2.71	3.19	3.86
P	0.59	0.75	0.98	1.26	1.5	1.97
Wt	0.35	0.87	1.33	2.04	2.8	4.78



Warranty

See warranty information for more details.

All dimensions listed are nominal. MAINLINE® reserves the right to make product and material changes at any time without notice.

Contact your sales representative for more information or visit our website at mainlinecollection.com