



Brass Swing Check Valve, Threaded

Product Specifications

✓ To Submit	Part #	Size
	ML246-1/2	1/2"
	ML246-1/2	3/4"
	ML246-1/2	1"
	ML246-1/2	1-1/4"
	ML246-1/2	1-1/2"
	ML246-1/2	2"
	ML246-1/2	2-1/2"
	ML246-1/2	3"
	ML246-1/2	4"

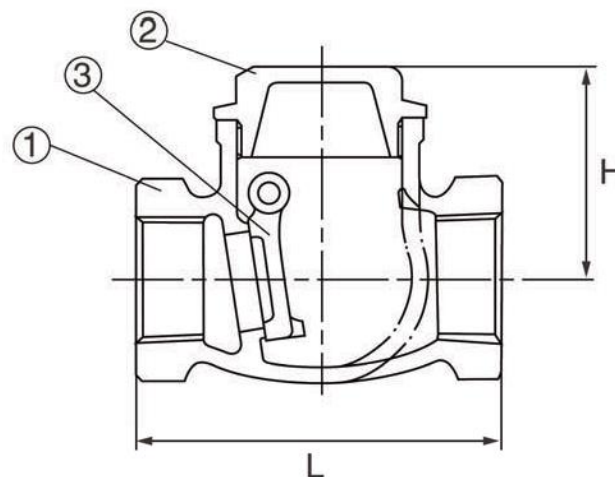
Product Features:

- 200# WOG
- Brass Body
- Brass Seats
- Threaded Ends
- Horizontal "T" pattern



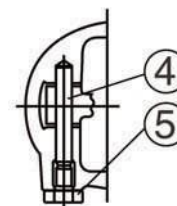
Materials & Specifications:

Item	Description	Material	Specification
1	Body	Brass	B584 C85400
2	Cap	Brass	B584 C85400
3	Disc	Brass	B584 C85400
4	Hanger Pin	Brass	B124 C37700
5	Plug	Brass	B16 C36000



Dimensions (inches), Weights (lbs.), & Valve Data:

Size	1/2"	3/4"	1"	1-1/4"	1-1/2"	2"	2-1/2"	3"	4"
H	2.12	2.3	2.6	3	3.4	4.2	5	6	7.6
L	2	2.36	2.6	3.2	3.5	4.2	5.1	5.8	6.8
Wt	0.5	0.67	0.88	1.48	2	2.8	5.5	7.75	12.75



Pressure/Temperature Ratings	
200# WOG	450°F Max Temp

Warranty

See warranty information for more details.

All dimensions listed are nominal. MAINLINE® reserves the right to make product and material changes at any time without notice.

Contact your sales representative for more information or visit our website at mainlinecollection.com