

Two-Piece Gas Ball Valve

Product Specifications

| ✓ To Submit | Part # | Size |
|-------------|------------|------|
| | ML5200-3/8 | 3/8" |
| | ML5200-1/2 | 1/2" |
| | ML5200-3/4 | 3/4" |
| | ML5200-1 | 1" |

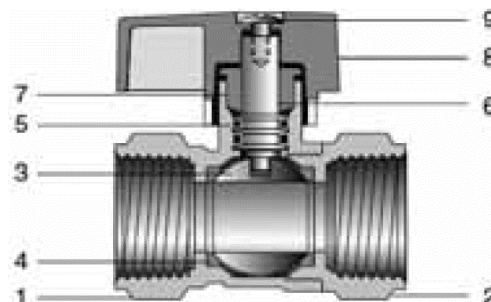
Product Features:

- 175# PSI
- 2-Piece Brass Body
- Threaded Ends
- CSA 1/2 & 5 PSI Approved
- ANSI Z.21.15
- UL Approved



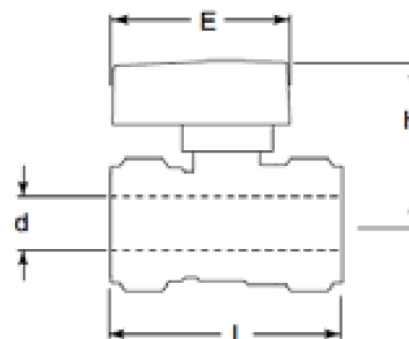
Materials & Specifications:

| Item | Description | Material | Specification |
|------|----------------|-------------------|---------------|
| 1 | Body | Brass | B283 C37700 |
| 2 | End Piece | Brass | B283 C37700 |
| 3 | Ball | Brass / Cr Plated | B283 C37700 |
| 4 | Seat | PTFE | PTFE |
| 5 | Stem | Brass | B124 C37700 |
| 6 | O-ring Packing | NBR | NBR |
| 7 | Packing Nut | Brass | B124 C37700 |
| 8 | Handle | Aluminum | B85 |
| 9 | Handle Bolt | Brass | B16 C36000 |



Dimensions (inches), Weights (lbs.), & Valve Data:

| Size | 3/8" | 1/2" | 3/4" | 1" |
|------|------|------|------|------|
| d | 0.39 | 0.39 | 0.55 | 0.95 |
| E | 2 | 2 | 2 | 2 |
| H | 1.5 | 1.5 | 1.6 | 1.9 |
| L | 1.8 | 2 | 2.3 | 2.9 |
| Wt | 0.26 | 0.38 | 0.61 | 0.81 |



Warranty

See warranty information for more details.

All dimensions listed are nominal. MAINLINE® reserves the right to make product and material changes at any time without notice.



Contact your sales representative for more information or visit our website at mainlinecollection.com