



**MAINLINE®**

# Lead Free\* Brass Gate Valve, Solder

## Product Specifications

✓ To Submit	Part #	Size
	ML268AB-1/2	1/2"
	ML268AB-3/4	3/4"
	ML268AB-1	1"
	ML268AB-11/4	1-1/4"
	ML268AB-11/2	1-1/2"
	ML268AB-2	2"

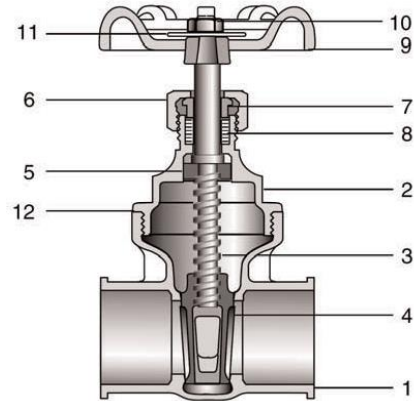
### Product Features:

- 0# WOG
- Low Lead Brass Body
- Non-Rising Stem
- Solid Wedge Disc
- Solder Ends
- Inserted Bonnet
- AB1953, NSF-61 & NSF-372 Certified



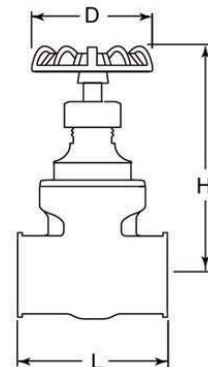
### Materials & Specifications:

Item	Description	Material	Specification
1	Body	Low Lead Brass	CW510L
2	Bonnet	Low Lead Brass	CW510L
3	Stem	Low Lead Brass	CW510L
4	Disc	Low Lead Brass	CW510L
5	Lock Nut	Low Lead Brass	CW510L
6	Gland Nut	Brass	B124
7	Gland	Brass	B124
8	Packing	PTFE	-
9	Hand Wheel	Aluminum	-
10	Nut	Steel	A36
11	Tag	Aluminum	-
12	Gasket	PTFE	-



### Dimensions (inches), Weights (lbs.), & Valve Data:

Size	1/2"	3/4"	1"	1-1/4"	1-1/2"	2"
D	1.78	1.78	2.05	2.38	2.38	2.12
H	2.75	3.18	3.5	4.35	4.75	5.6
L	1.6	2	2.28	2.91	3.18	3.62
Wt	0.44	0.69	1	1.5	2	3.5



Pressure/Temperature Ratings	
200# WOG	212°F Max Temp

### Warranty

See warranty information for more details.

All dimensions listed are nominal. MAINLINE® reserves the right to make product and material changes at any time without notice.



**Contact your sales representative for more information or visit our website at [mainlinecollection.com](http://mainlinecollection.com)**