

Brass Gate Valve, Threaded

Product Specifications

✓ To Submit	Part #	Size
	ML267-1/2	1/2"
	ML267-3/4	3/4"
	ML267-1	1"
	ML267-11/4	1-1/4"
	ML267-11/2	1-1/2"
	ML267-2	2"
	ML267-21/2	2-1/2"
	ML267-3	3"

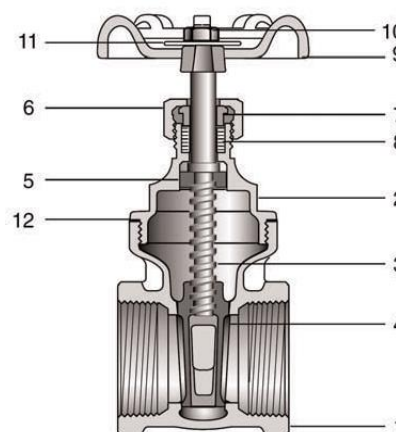
Product Features:

- 200# WOG
- Cast Brass Body
- Non-Rising Stem
- Solid Wedge Disc
- Inserted Bonnet
- Threaded Ends



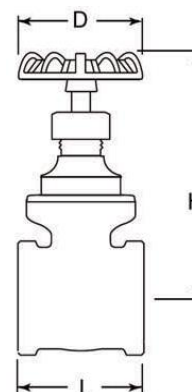
Materials & Specifications:

Item	Description	Material	Specification
1	Body	Brass	B584 C85400
2	Bonnet	Brass	B584 C85400
3	Stem	Brass	B124
4	Disc	Brass	B124
5	Lock Nut	Brass	B124
6	Gland Nut	Brass	B124
7	Gland	Brass	B124
8	Packing	PTFE	-
9	Hand Wheel	Aluminum	-
10	Nut	Steel	A36
11	Tag	Aluminum	-
12	Gasket	PTFE	-



Dimensions (inches), Weights (lbs.), & Valve Data:

Size	1/2"	3/4"	1"	1-1/4"	1-1/2"	2"	2-1/2"	3"	4"
D	0.5	0.68	0.9	1.1	1.37	1.73	2.22	2.71	3.42
H	2.75	3.15	3.62	4.37	4.84	5.43	6.85	7.91	9.29
L	1.65	1.77	2.02	2.16	2.3	2.49	3.22	3.77	4
Wt	0.5	0.63	0.94	1.44	1.88	2.56	5.56	6.88	12.44



Pressure/Temperature Ratings	
200# WOG	212°F Max Temp

Warranty

See warranty information for more details.

All dimensions listed are nominal. MAINLINE® reserves the right to make product and material changes at any time without notice.

Contact your sales representative for more information or visit our website at mainlinecollection.com