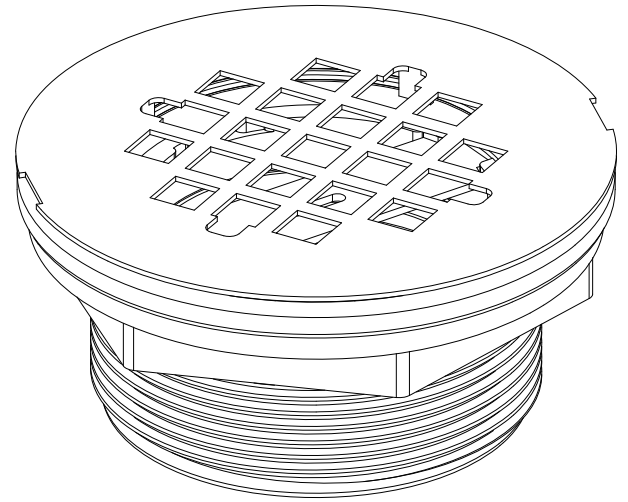
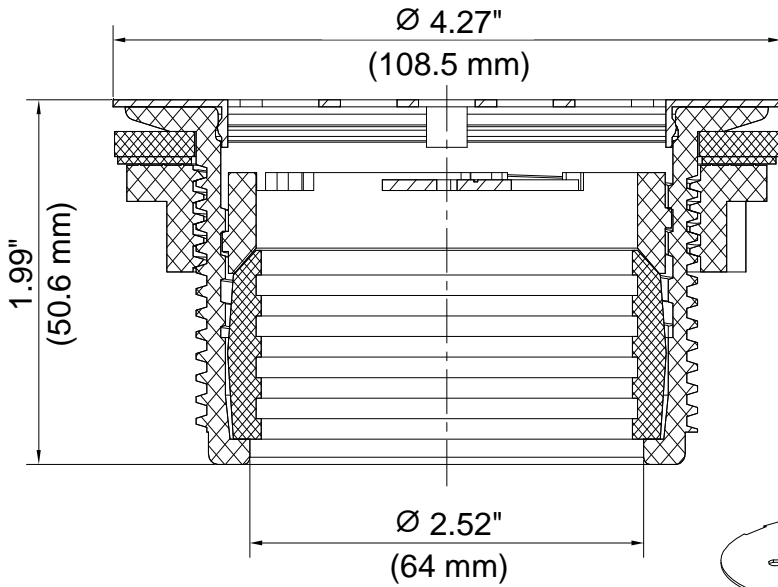


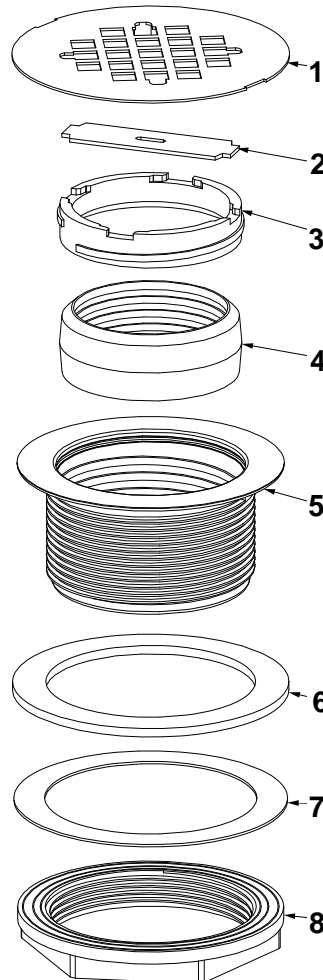
SPECIFICATIONS

- 2" PVC No Caulk Shower Drain
- Fits 2" Schedule 40 PVC or 2" Cast Iron Pipe
- Snap-in Stainless Steel Strainer



ML42099

CROSS REFERENCE	
42099	D41-101
828-2	86050 or 4820G
826-2P	67022 or ABA3521
829-S2	FD2275-PV2
828-2PK	DD2SPVC
101-PNC	NCSD2
1524M	



No.	Part Name	Material
1	Strainer	Stainless Steel
2	Wrench Key	Steel
3	Lock Nut	PVC/White
4	Gasket	Rubber
5	Body	PVC/White
6	Washer	Rubber
7	Paper Washer	Duplex Paper
8	Lock Nut	PVC/White

CERTIFICATIONS

• cUPC

