

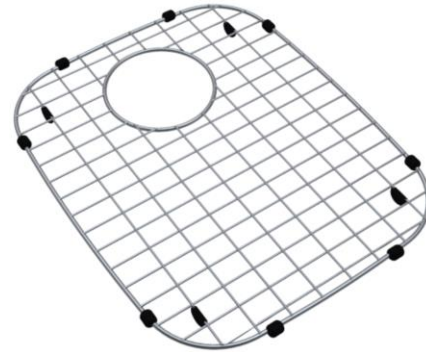
Sink Bottom Grid

Product Specifications



Features

- Custom designed to protect and cover the bottom of your sink
- Properly positioned opening for convenient access to drain or disposer
- Built from solid stainless steel to resist corrosion and provide years of service



MLUD3221BG

Overall Size: 16-1/4" x 13-3/8" x 1"

Bowl Placement: Left

Drain Placement: Center Rear

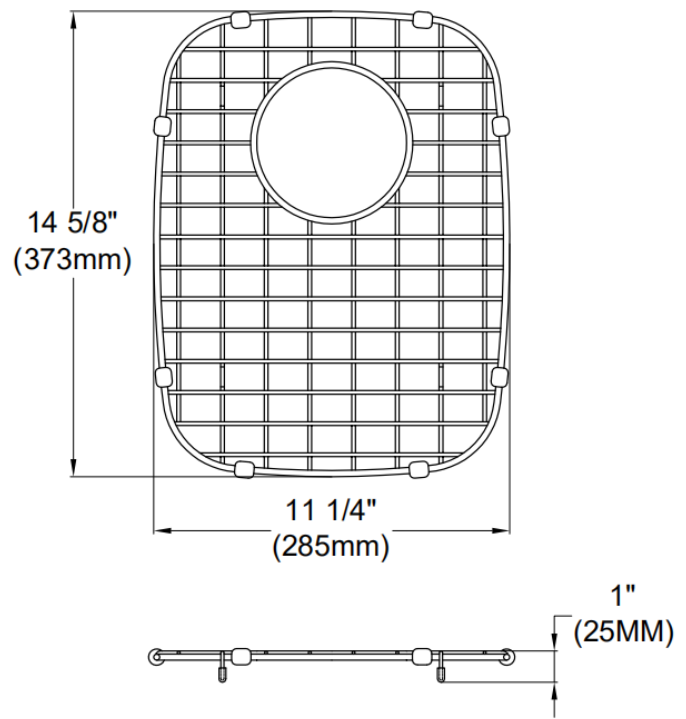
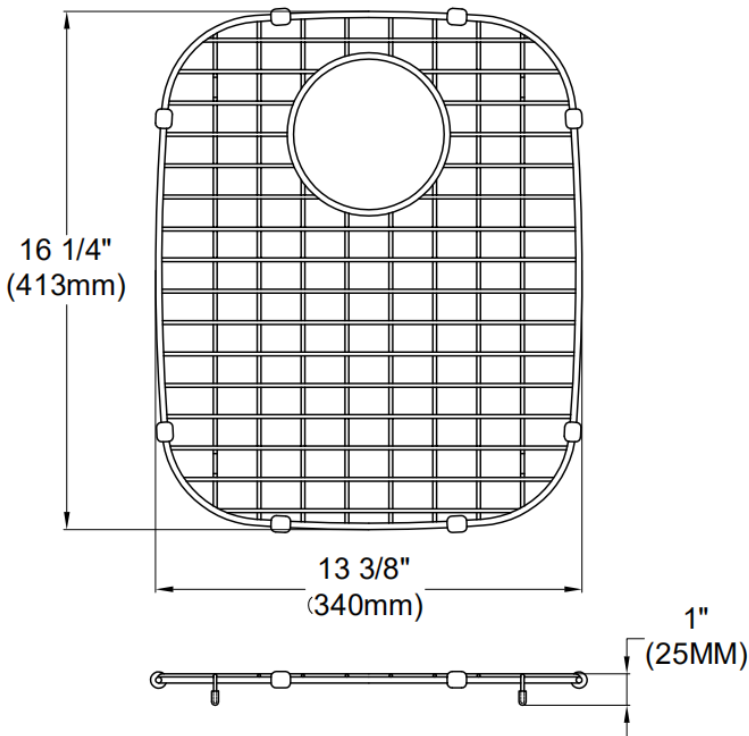
Material: Stainless Steel

Overall Size: 14-5/8" x 11-1/4" x 1"

Bowl Placement: Right

Drain Placement: Center Rear

Material: Stainless Steel



All dimensions listed are nominal. Mainline® reserves the right to make product and material changes at any time without notice.



Contact your sales representative for more information or visit our website at mainlinecollection.com