



# Black Poly-Alloy (PPSU) PEX Fittings

## Product Specifications

### FEATURES

- For use with potable water, distribution systems and hydronic heating systems
- Maximum Temperature: 180° F
- Maximum Pressure: 100 psi

### SPECIFICS

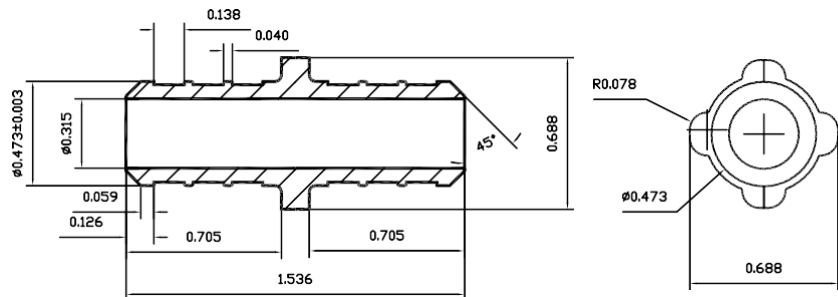
- Acudel® 22000 by injection molding
- Working pressure: 100 psi
- Working temperature: 180°F (82 °C)

### COMPLIES WITH

ASTM F2159 & F877, CSA B137.5, ANSI/NSF 61



Model #  
MLPXPC12  
1/2" Couplings



### Warranty

See warranty information for more details.

All dimensions listed are nominal. MAINLINE® reserves the right to make product and material changes at any time without notice.



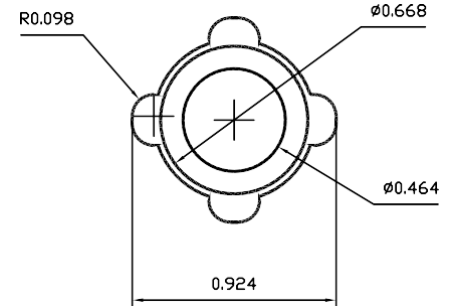
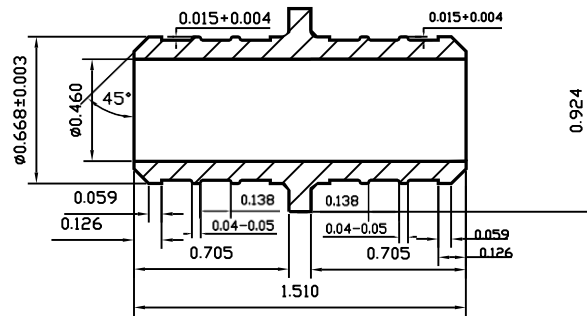
Contact your sales representative for more information or visit our website at [mainlinecollection.com](http://mainlinecollection.com)



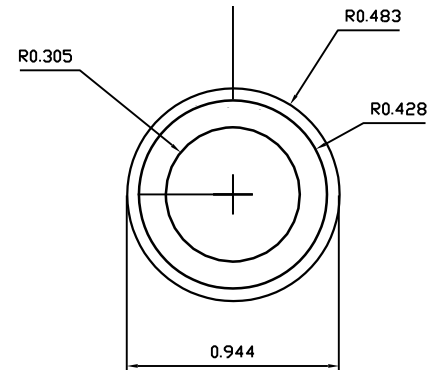
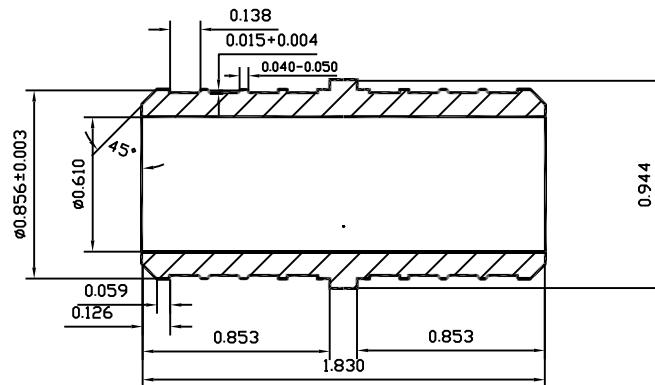
**MAINLINE®**

## Black Poly-Alloy (PPSU) PEX Fittings

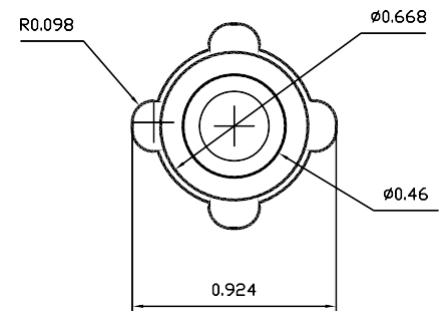
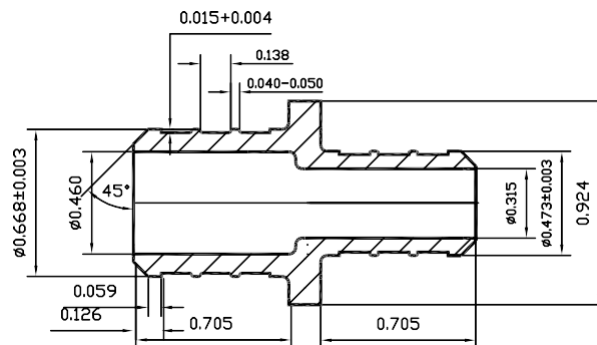
Model #  
MLPXPC34  
3/4"  
Couplings



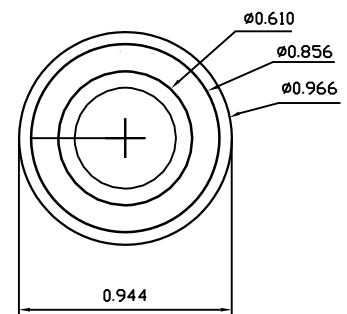
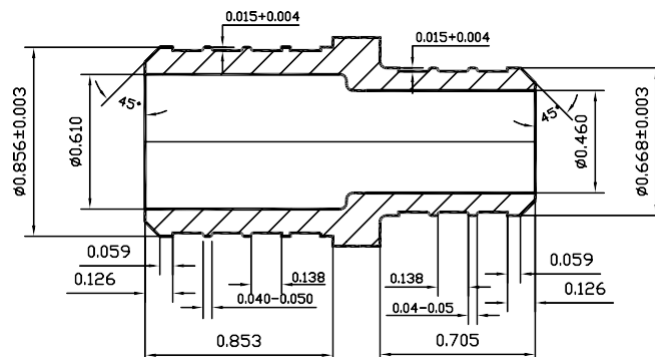
Model #  
MLPXPC1  
1"  
Couplings



Model #  
MLPXPC3412  
3/4" x 1/2"  
Couplings



Model #  
MLPXPC134  
1" x 3/4"  
Couplings



Contact your sales representative for more information or visit our website at [mainlinecollection.com](http://mainlinecollection.com)

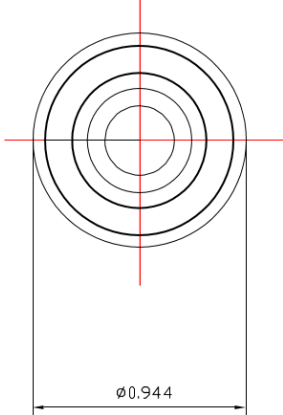
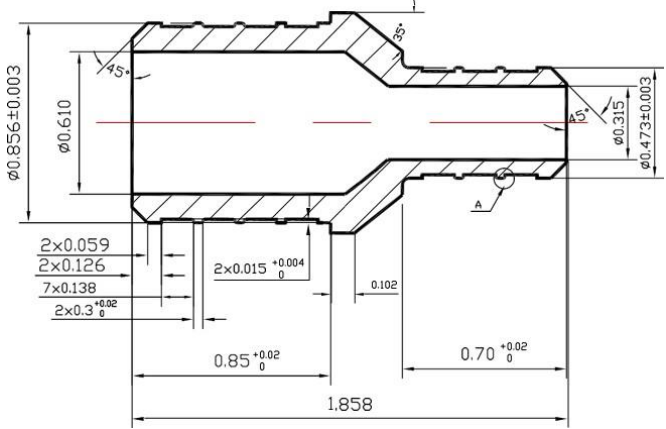


MAINLINE®

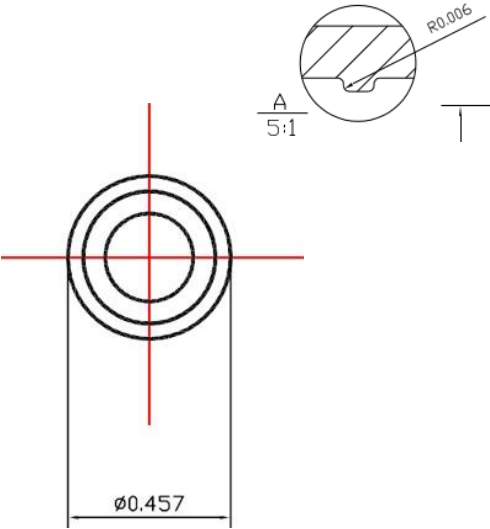
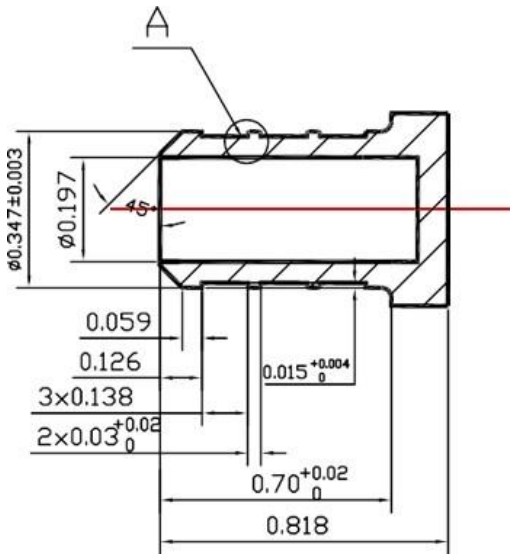
# Black Poly-Alloy (PPSU) PEX Fittings

## Product Specifications

Model #  
MLPXPC112  
1" X 1/2"  
Couplings



Model #  
MLPXPC38  
3/8"  
Couplings

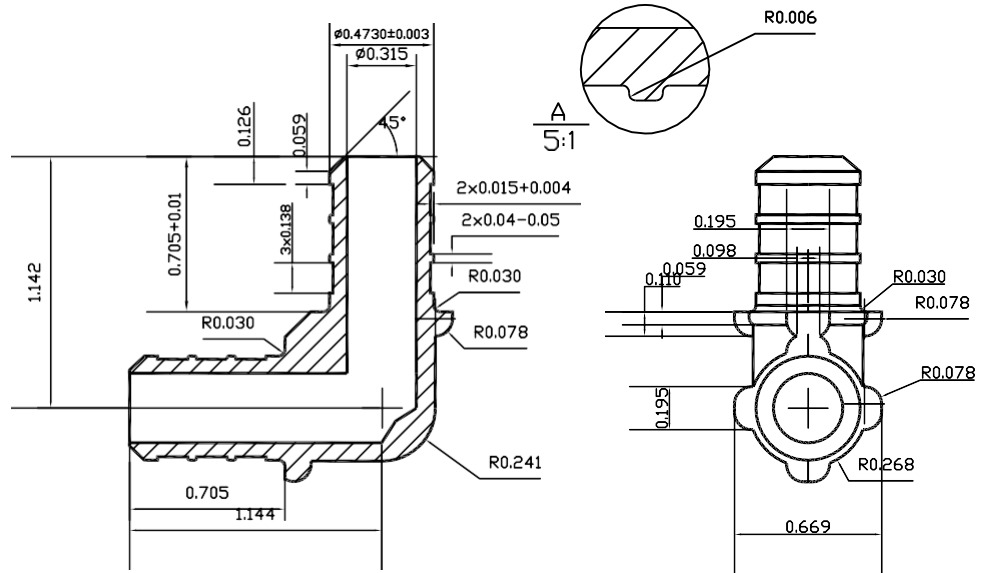


Contact your sales representative for more information or visit our website at [mainlinecollection.com](http://mainlinecollection.com)

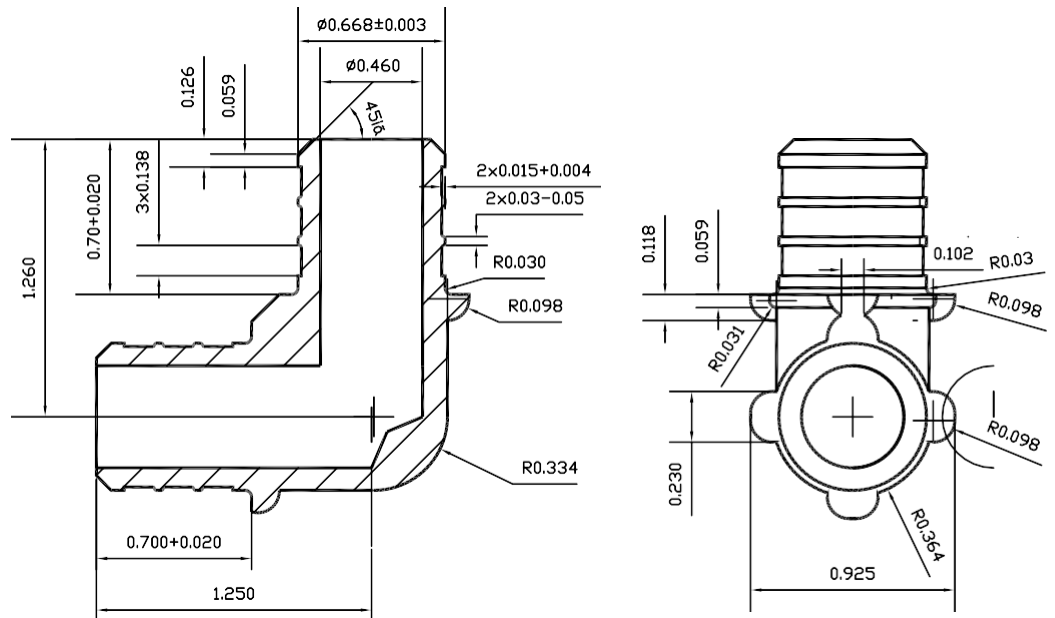
Revised 4/07/2023

# Black Poly-Alloy (PPSU) PEX Fittings

Model #  
MLPXPL12  
1/2"  
90° Elbows



Model #  
MLPXPL34  
3/4"  
90° Elbows



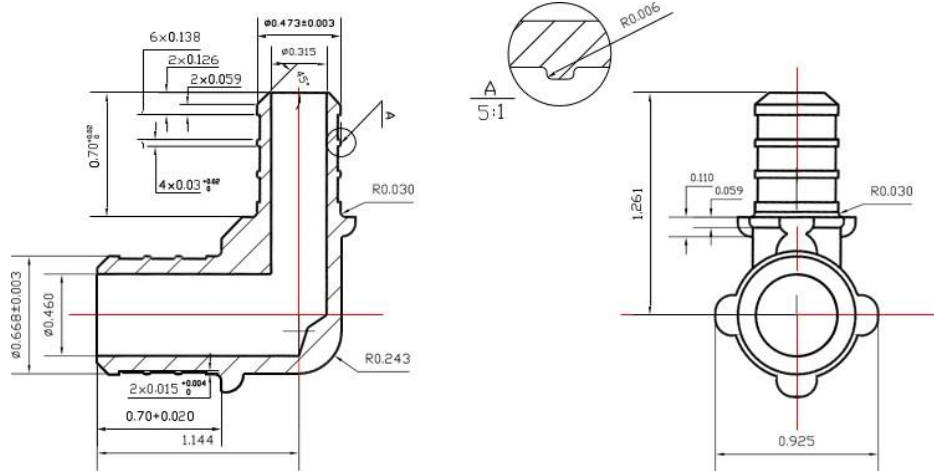


MAINLINE®

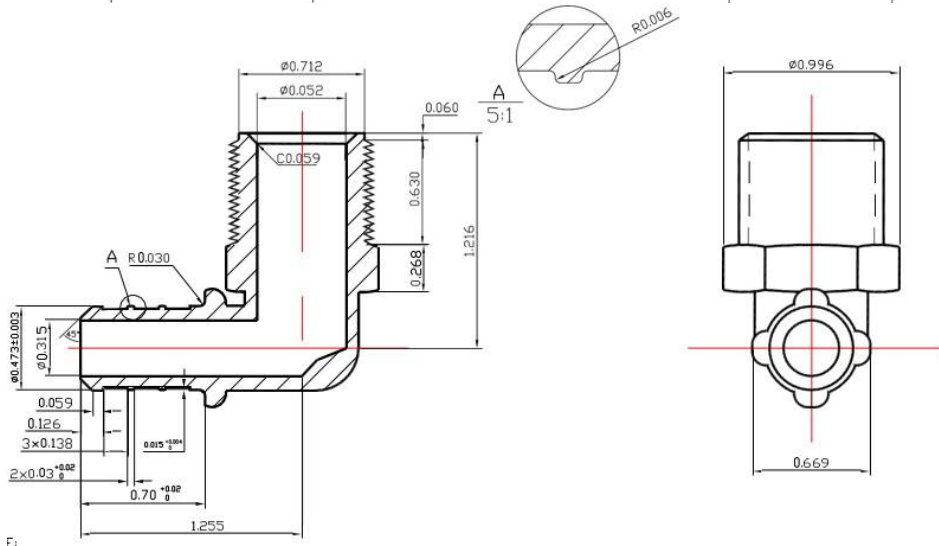
# Black Poly-Alloy (PPSU) PEX Fittings

## Product Specifications

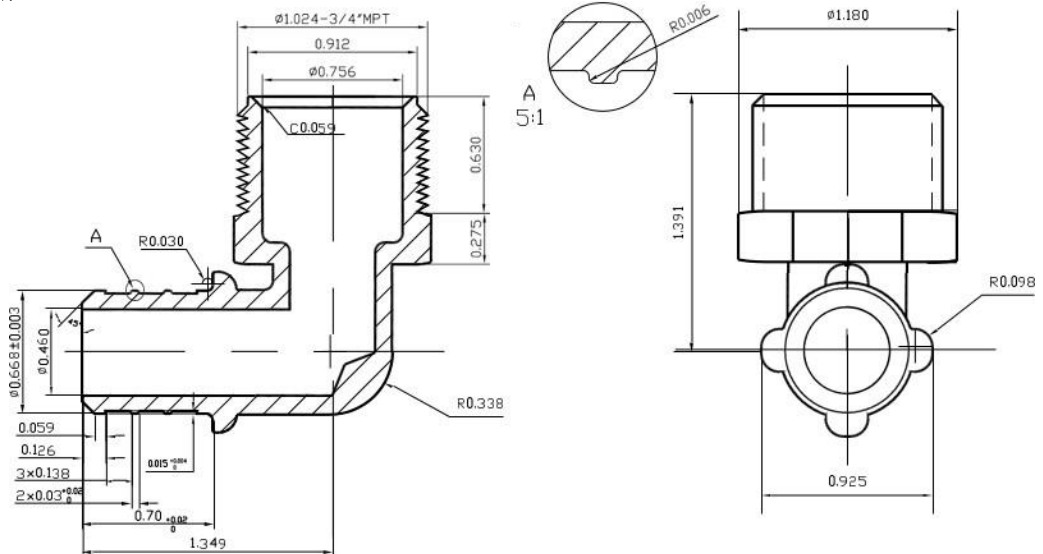
Model #  
MLPXPL3412  
3/4" X 1/2"  
90° Elbow



Model #  
MLXPML12  
1/2"  
90° Elbow



Model #  
MLXPML34  
3/4"  
90° Elbow



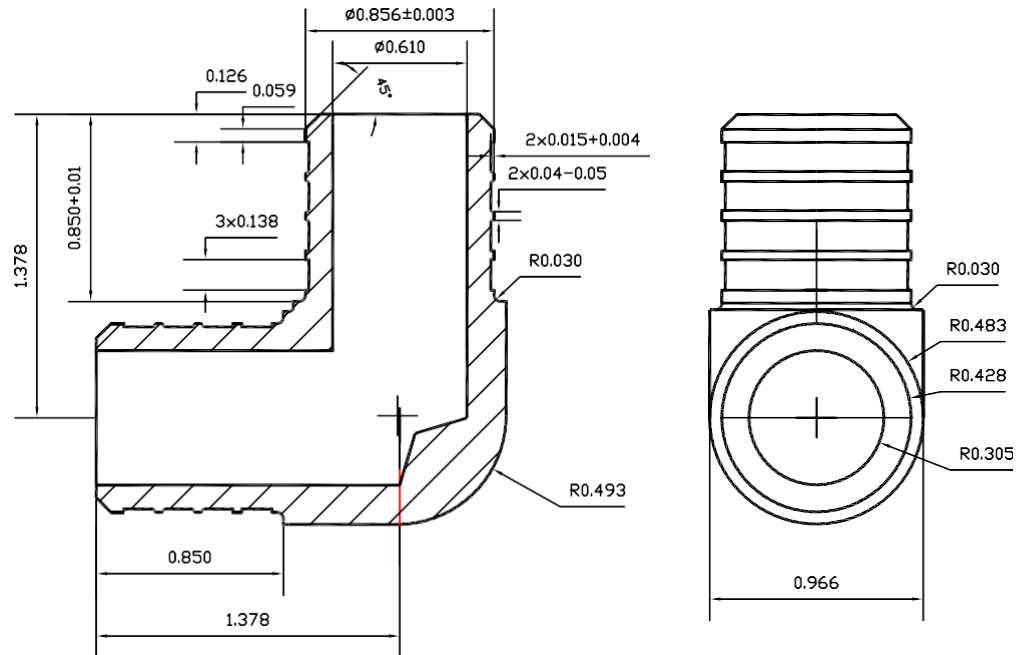
Contact your sales representative for more information or visit our website at [mainlinecollection.com](http://mainlinecollection.com)



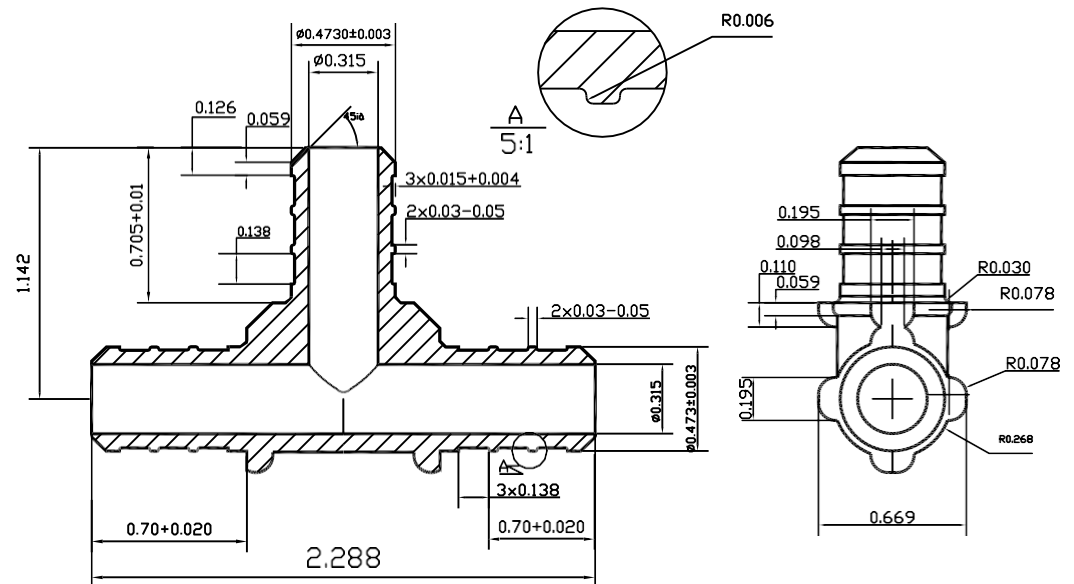
MAINLINE®

# Black Poly-Alloy (PPSU) PEX Fittings

Model #  
MLPXPL1  
1"  
90° Elbows



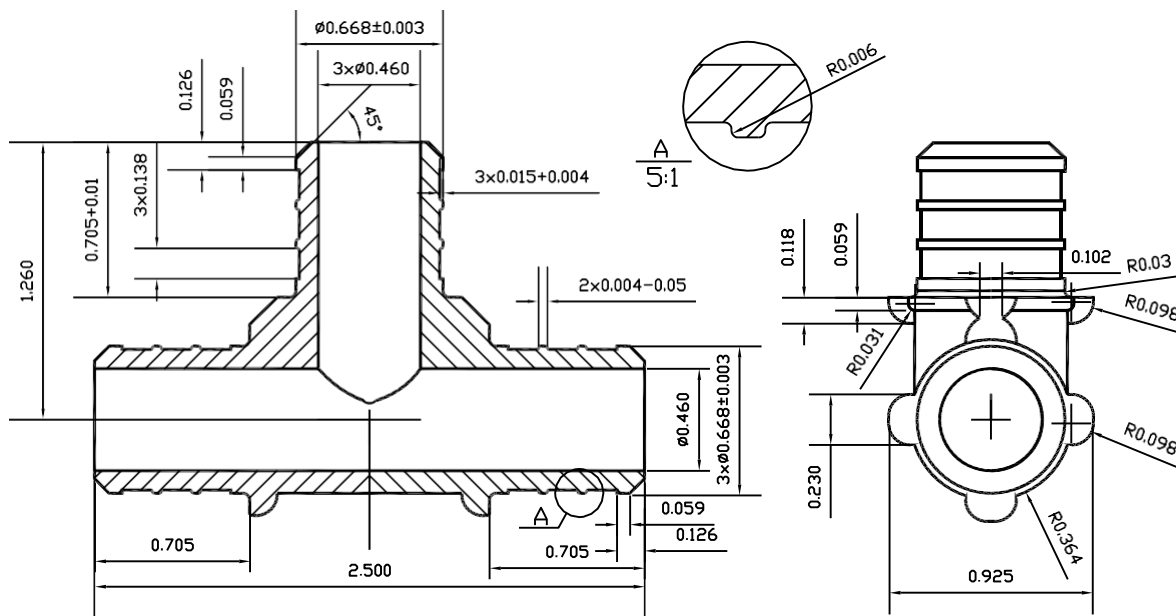
Model #  
MLPXPT12  
1/2" Tees



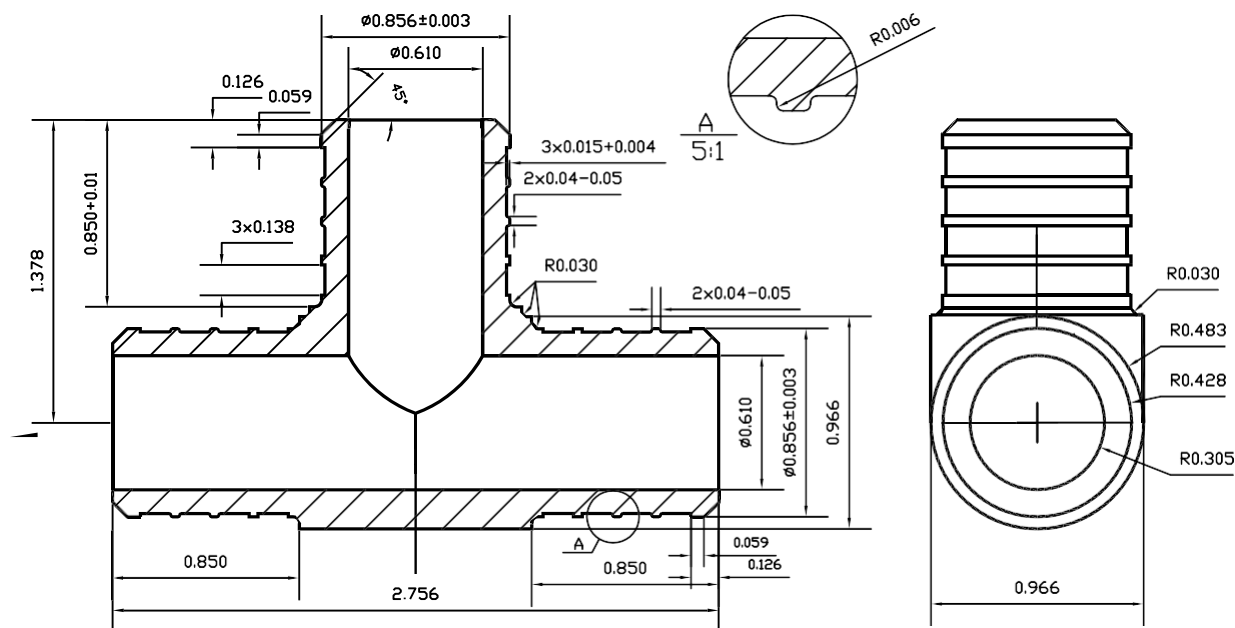
Contact your sales representative for more information or visit our website at [mainlinecollection.com](http://mainlinecollection.com)

# Black Poly-Alloy (PPSU) PEX Fittings

Model #  
MLPXPT34  
3/4" Tees



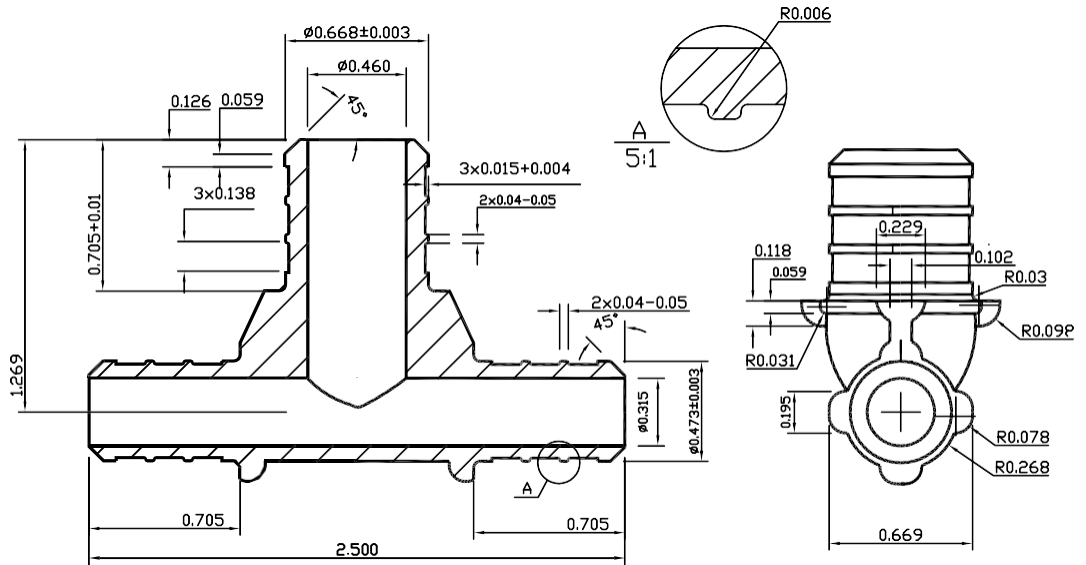
Model #  
MLPXPT1  
1" Tees



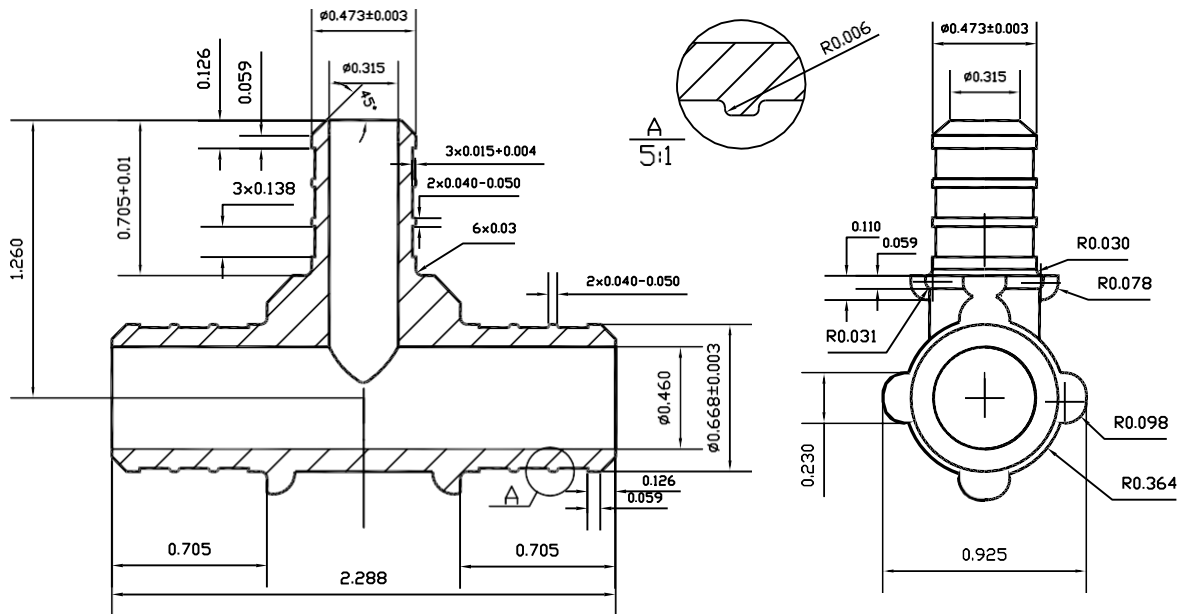


# Black Poly-Alloy (PPSU) PEX Fittings

Model #  
MLPXPT121234  
1/2" x 1/2" x 3/4"  
Tees



Model #  
MLPXPT343412  
3/4" x 3/4" x 1/2"  
Tees



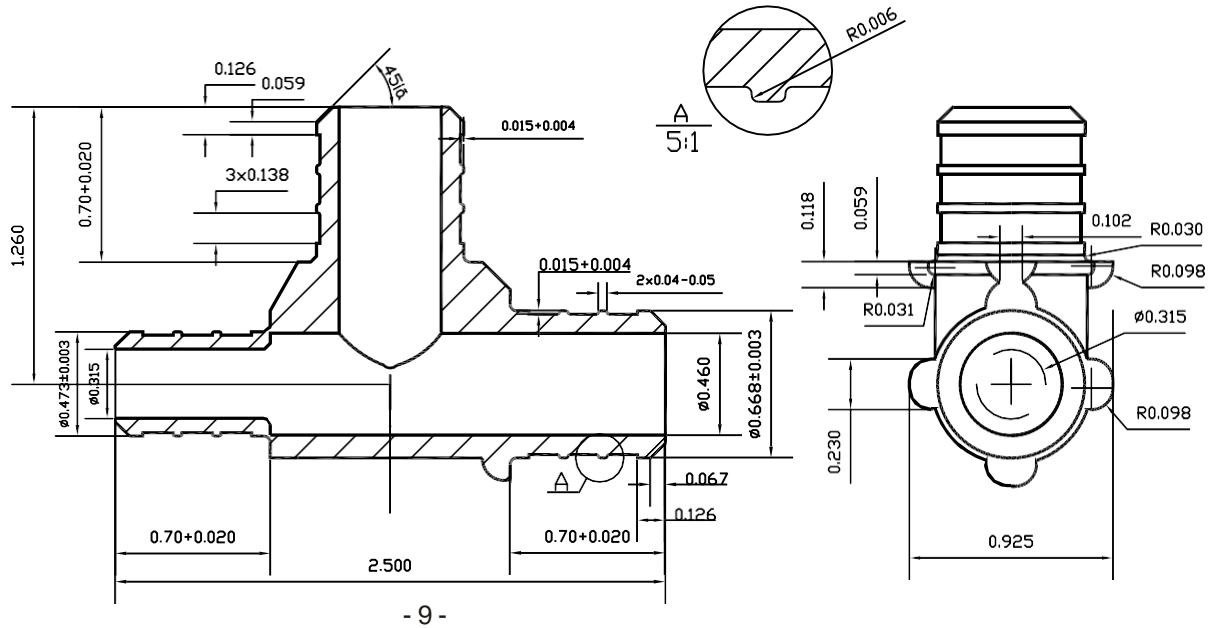
Contact your sales representative for more information or visit our website at [mainlinecollection.com](http://mainlinecollection.com)



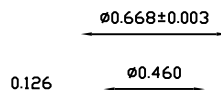
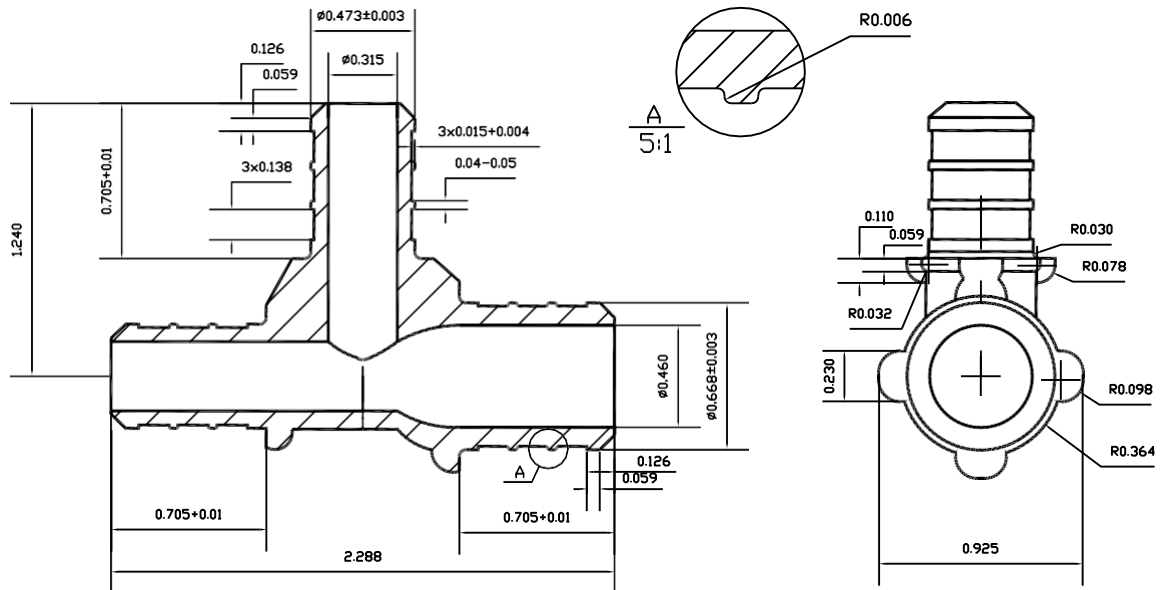


# Black Poly-Alloy (PPSU) PEX Fittings

Model #  
MLPXPT341234  
3/4" x 1/2" x 3/4"  
Tees



Model #  
MLPXPT341212  
3/4" x 1/2" x 1/2"  
Tees



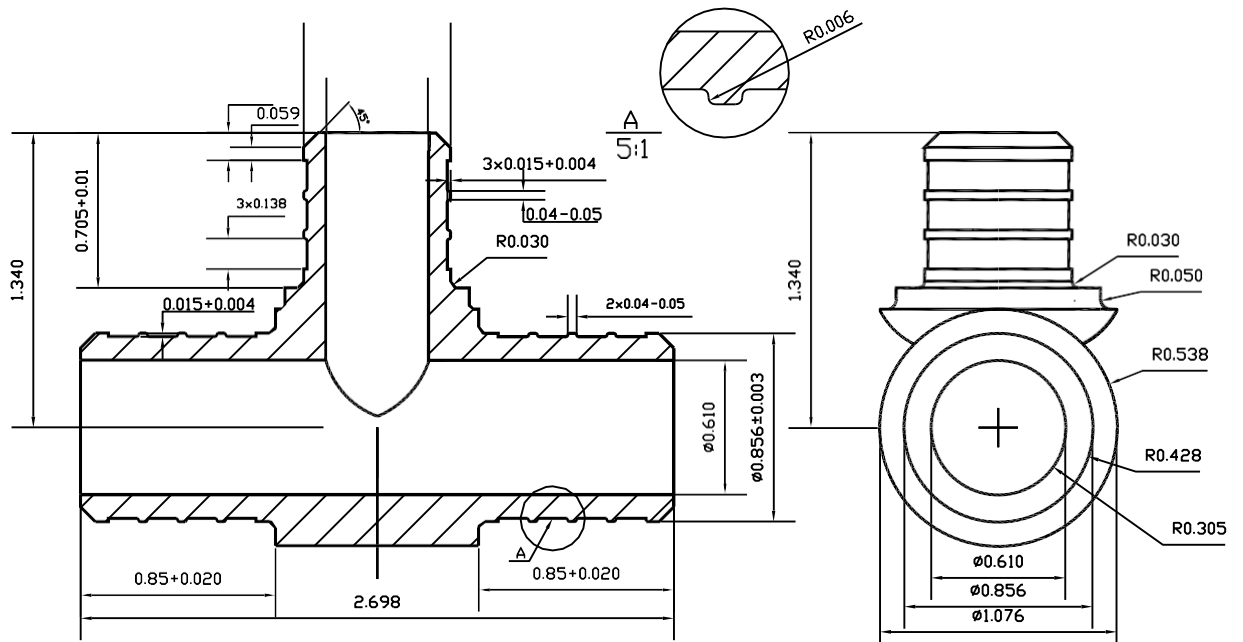
Contact your sales representative for more information or visit our website at [mainlinecollection.com](http://mainlinecollection.com)



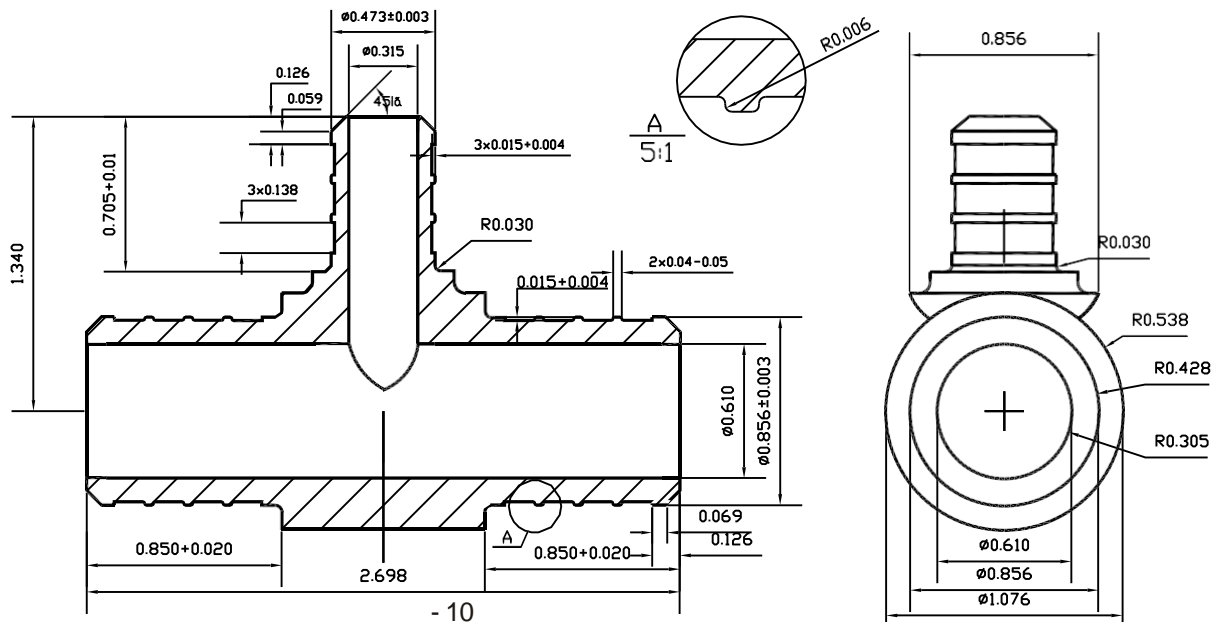
MAINLINE®

# Black Poly-Alloy (PPSU) PEX Fittings

Model #  
MLPXPT1134  
1" x 1" x 3/4"  
Tees



Model #  
MLPXPT1112  
1" x 1" x 1/2"  
Tees

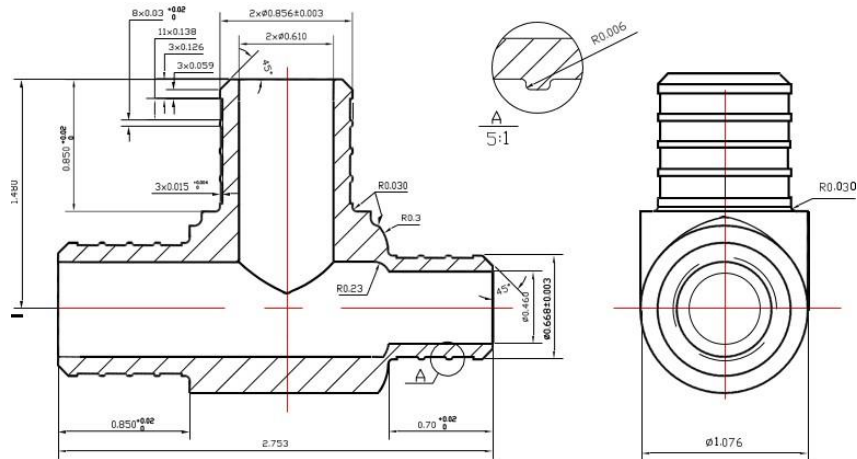


Contact your sales representative for more information or visit our website at [mainlinecollection.com](http://mainlinecollection.com)

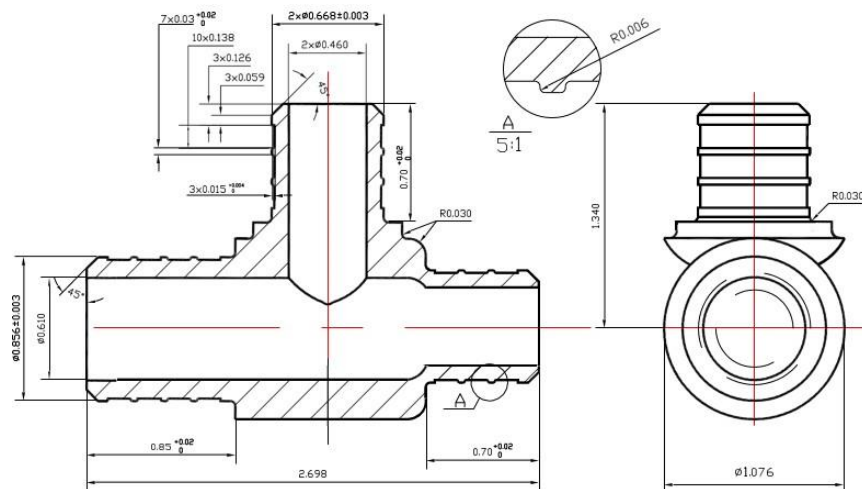
# Black Poly-Alloy (PPSU) PEX Fittings

## Product Specifications

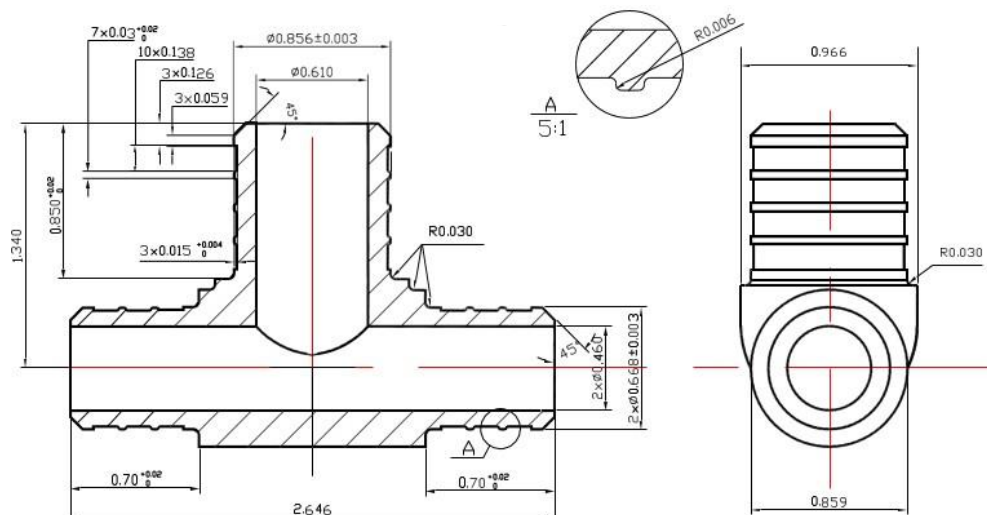
Model #  
MLPXPT1341  
1" x 3/4" x 1"  
Tees



Model #  
MLPXPT13434  
1" x 3/4" x 3/4"  
Tees



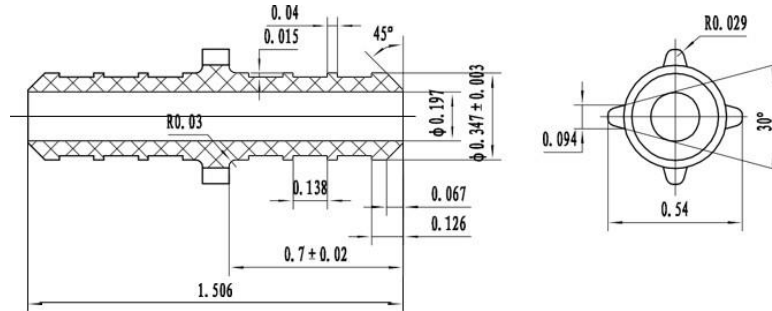
Model #  
MLPXPT34341  
3/4" x 3/4" x 1"  
Tees



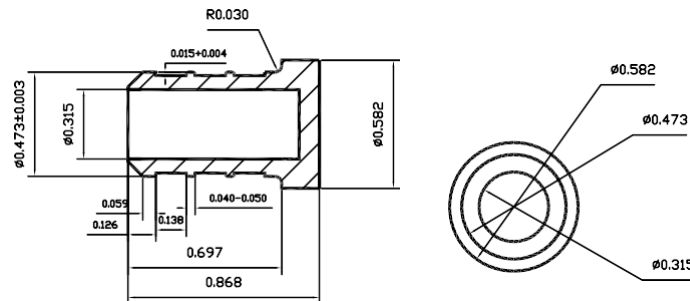
Contact your sales representative for more information or visit our website at [mainlinecollection.com](http://mainlinecollection.com)

# Black Poly-Alloy (PPSU) PEX Fittings

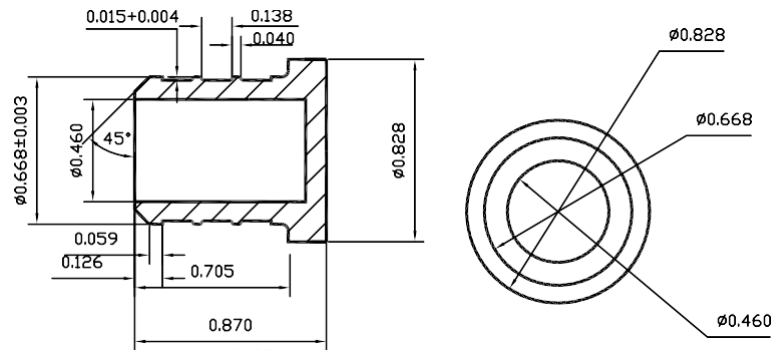
Model #  
MLPXPP38  
3/8" Plugs



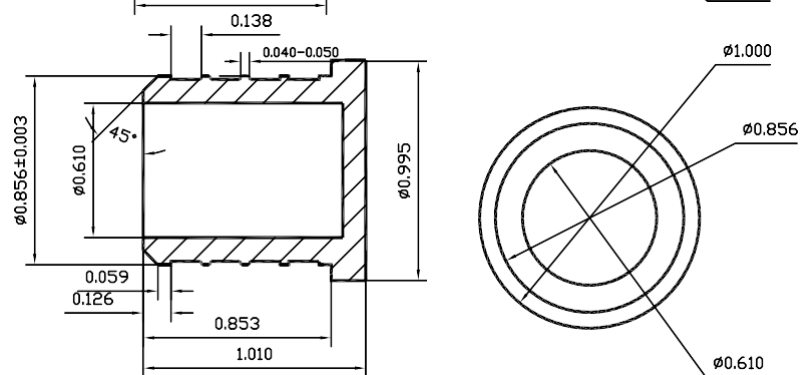
Model #  
MLPXPP12  
1/2" Plugs



Model #  
MLPXPP34  
3/4" Plugs



Model #  
MLPXPP1  
1" Plugs

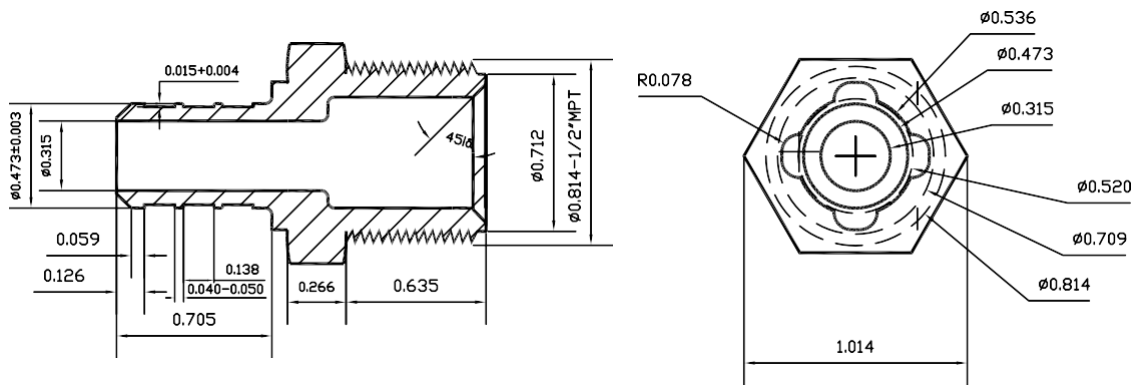




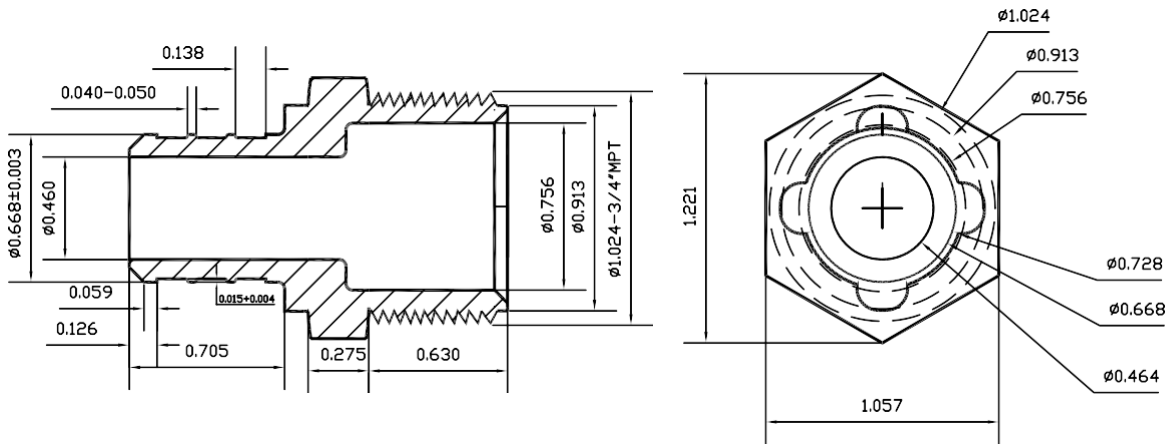
**MAINLINE®**

# Black Poly-Alloy (PPSU) PEX Fittings

Model #  
MLXPMA12  
1/2" MIPS  
Adapters



Model #  
MLXPMA34  
3/4" MIPS  
Adapters

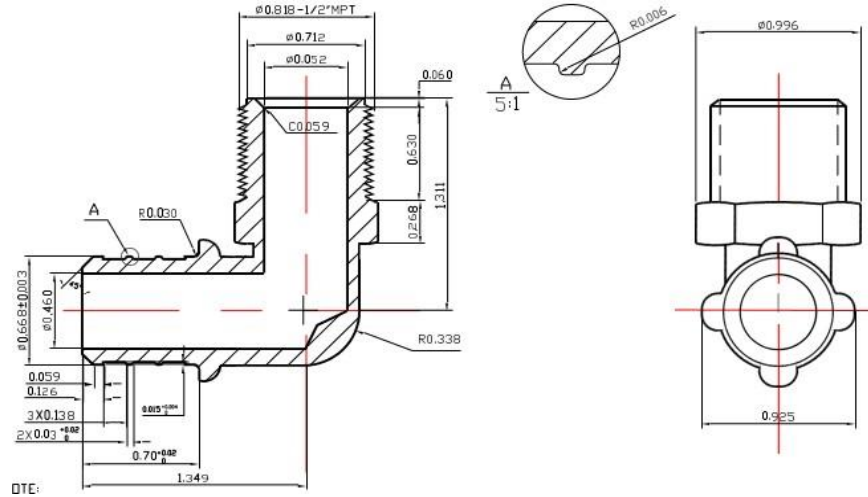


Contact your sales representative for more information or visit our website at [mainlinecollection.com](http://mainlinecollection.com)

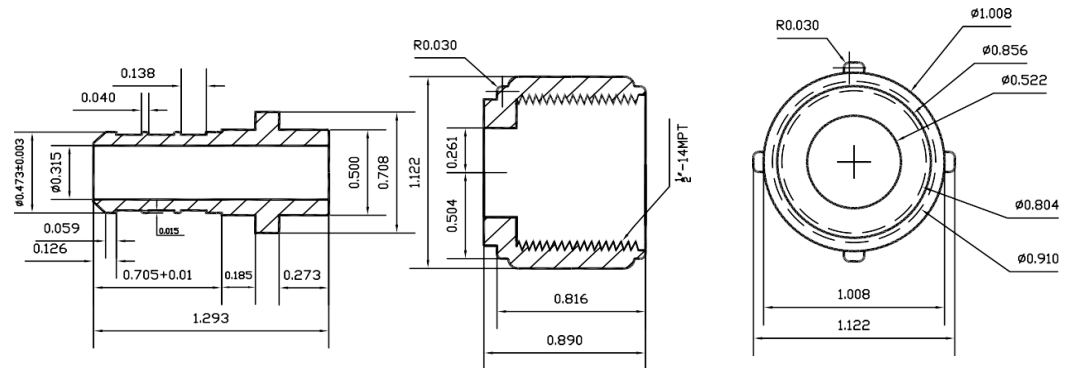
# Black Poly-Alloy (PPSU) PEX Fittings

## Product Specifications

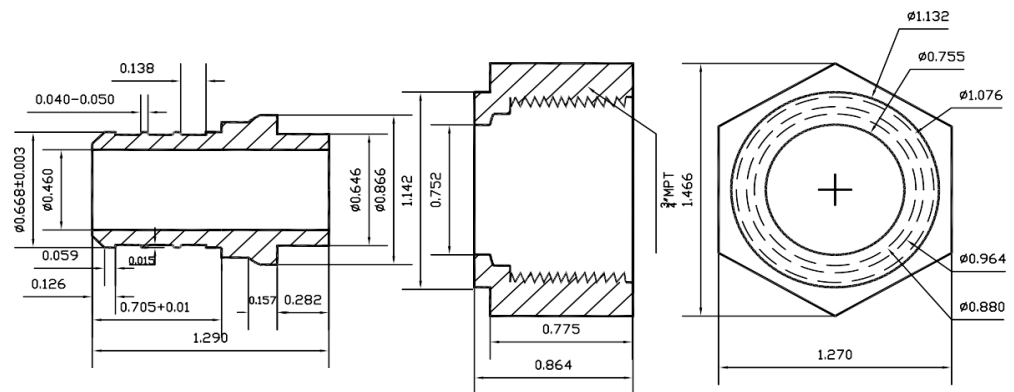
Model #  
MLPXPML3412  
3/4" x 1/2"  
90° MIPS Elbow



Model #  
MLXPFA12  
1/2" Swl  
Adapters



Model #  
MLXPFA34  
3/4\"/>

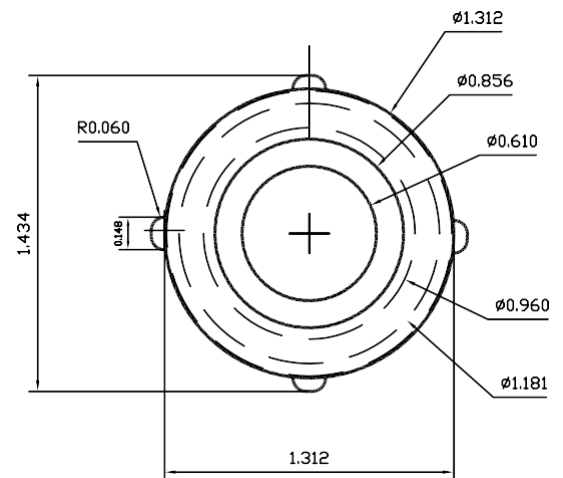
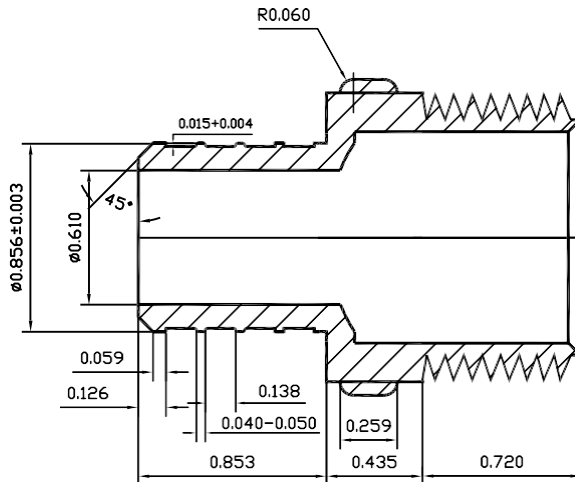




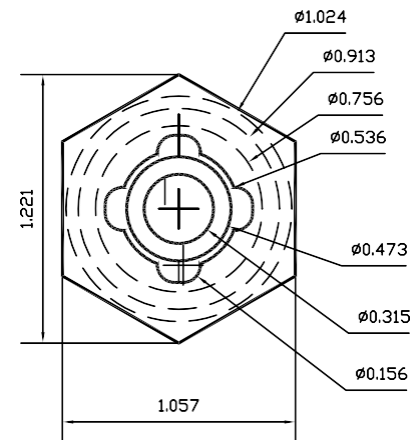
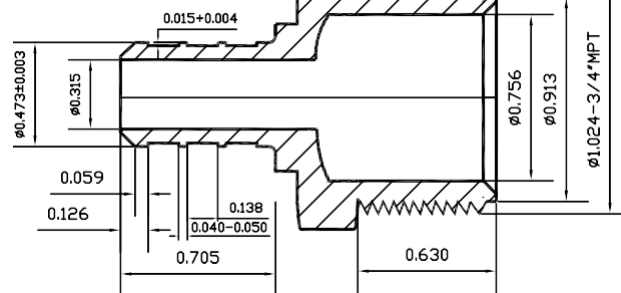
MAINLINE®

# Black Poly-Alloy (PPSU) PEX Fittings

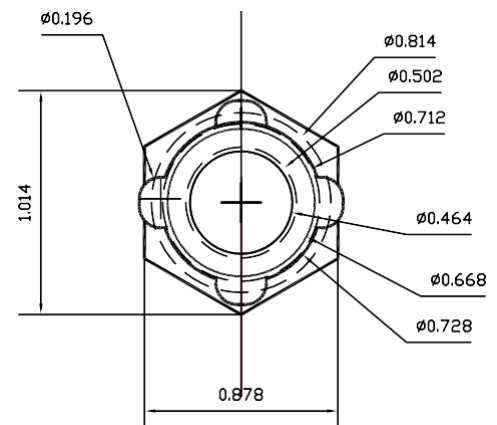
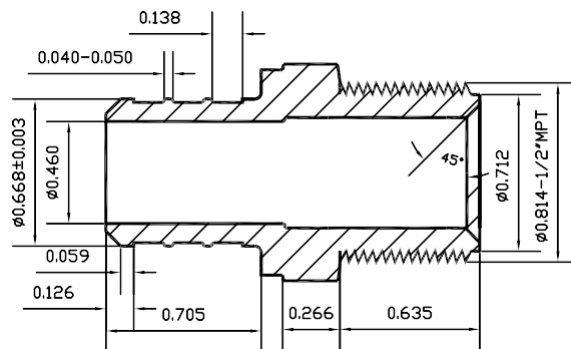
Model #  
MLPXPMA1  
1" MIPS  
Adapters



Model #  
MLPXPMA1234  
1/2" x 3/4"  
MIPS Adapters



Model #  
MLPXPMA3412  
3/4" x 1/2"  
MIPS Adapters



Contact your sales representative for more information or visit our website at [mainlinecollection.com](http://mainlinecollection.com)



# Black Poly-Alloy (PPSU) PEX Fittings

Property	ASTM Test Method	TYPICAL VALUES <sup>(1)</sup>			
		U.S. Customary Units		SI Units	
		Value	Units	Value	Units
<b>Mechanical</b>					
Tensile Strength	D 638	11.2	ksi	77	MPa
Tensile Modulus	D 638	387	ksi	2.67	GPa
Tensile Elongation at Yield	D 638	6.7	%	6.7	%
Tensile Elongation at Break	D 638	50	%	50	%
Flexural Strength	D 790	15.7	ksi	108	MPa
Flexural Modulus	D 790	402	ksi	2.77	GPa
Tensile Impact Strength	D 1822	175	ft-lb/in <sup>2</sup>	388	kJ/m <sup>2</sup>
Izod Impact Strength	D 256	2.0	ft-lb/in	105	J/m
<b>Thermal</b>					
Heat Deflection Temperature <sup>(2)</sup> at 264 psi (1.8 MPa)	D 648	387	°F	197	°C
<b>Electrical</b>					
Dielectric Strength, 1/8" (3.2 mm)	D 149	470	V/mil	18.5	kV/mm
Dielectric Constant at 1 MHz	D 150	3.4		3.4	
Dissipation Factor at 1 MHz	D 150	0.008		0.008	
Volume Resistivity	D 257	>9 x 10 <sup>15</sup>	ohm-cm	>9 x 10 <sup>15</sup>	ohm-cm
<b>General</b>					
Specific Gravity	D 792	1.28		1.28	
Melt Flow at 715°F (380°C), 2.16 kg	D 1238	12	g/10 min	12	g/10 min
Mold Shrinkage	D 955	0.7	%	0.7	%
Moisture Absorption, 24 hours	D 570	0.3	%	0.3	%
Moisture Absorption, 30 days	D 570	0.9	%	0.9	%

<sup>(1)</sup> Properties of individual batches will vary within specification limits. Properties are typical of uncolored material. Colorants or other additives may alter properties.

<sup>(2)</sup> Annealed 0.125 inch (3.2 mm) thick specimens.